

**Weights**

Operating weight with ROPS HVAC cab, rubber tracks, counterweight, standard bucket 600 mm (223 kg) (SAE J732)	8919 kg
Additional weight for segmented tracks	74 kg
Additional weight for steel tracks	16 kg
Additional weight for long dipperstick	37 kg
Additional weight for counter weight	407 kg
Ground pressure with rubber tracks	39.20 kPa

**Engine**

Make / model	Bobcat D24 - 2.4L, 97/68 EC Stage V, Turbocharged
Fuel	Ultra Low Sulfur Diesel
Number of cylinders	4
Displacement	2392 cm <sup>3</sup>
Maximum NET power (ISO 9249)	48.5 kW
Maximum NET torque (ISO 9249)	248.0 Nm

**Hydraulic System**

Pump type	Engine driven, variable displacement piston pump with pressure-compensating, load-sensing, and torque-limiter control
Pump capacity	149.00 L/min
System relief pressure for implement circuits	295.00 bar
Auxiliary (AUX1) flow	95.00 L/min
Auxiliary (AUX2) flow	62.00 L/min

**Performance**

Digging force, dipperstick (ISO 6015)	39073 N
Digging force, long dipperstick (ISO 6015)	35315 N
Digging force, bucket (ISO 6015)	55582 N
Travel speed, low range	2.5 km/h
Travel speed, high range	4.4 km/h

**Slew System**

Boom swing, left	64.0°
Boom swing, right	61.0°
Slew rate	9.0 RPM

**Fluid Capacities**

Cooling system	9.50 L
Engine lubrication plus oil filter	9.80 L
Fuel reservoir	116.00 L
Hydraulic reservoir	21.40 L
Hydraulic system	81.40 L

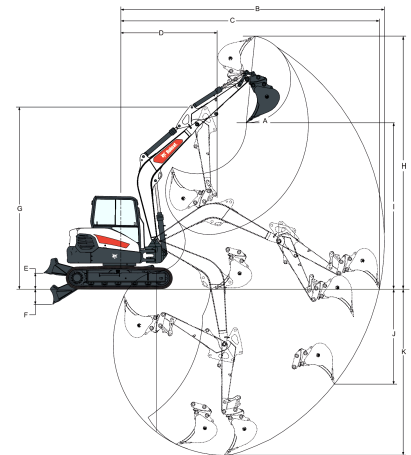
**Environmental**

Noise level LpA(EU Directive 2006/42/EC)	77 dB(A)
Noise level LWA(EU Directive 2000/14/EC)	96 dB(A)
Whole body vibration (ISO 2631-1)	0.20 ms <sup>-2</sup>
Hand-arm vibration (ISO 5349-1)	0.41 ms <sup>-2</sup>

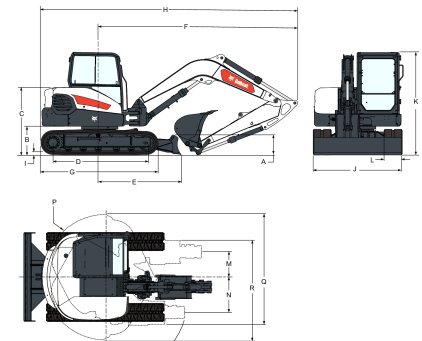
**Standard Features**

2200 mm dozer blade	One-piece ergonomic pedals
450mm rubber track	Full fuel warning alarm
5 inch display	Horn
Air conditioning (Cab with HVAC)	Hydraulic coupler lines (AUX5)
Auto idle	Hydraulic joystick controls
Adjustable double acting auxiliary hydraulic (AUX1) with QC on ARM	Proportional fingertip auxiliary and boom swing offset
Battery disconnect switch	Retractable seat belt
Blade float feature	Selectable auxiliary hydraulic flow
Boom & arm safety valves with overload warning	Deluxe textile suspension seat with head rest
Clamp ready	Storage compartment
Control console locks	Tool box
Cupholders	TOPS/ROPS/FOPS cab * 1
Dual Direction Detent	Two-speed travel with Auto shift
Dual flanged rollers	Upper structure tie down
Engine/hydraulic monitor with shutdown	LED Work lights front
Fuel refill pump with auto shut-off	Warranty: 24 months, 2000 hours (whichever occurs first)

1. Roll Over Protective Structure (ROPS) – Meets requirements of ISO 3471. Tip Over Protective Structure (TOPS) – Meets requirements of ISO 12117. Falling Object Protective Structure (FOPS) - Meets requirements of ISO 3449.

**Working Range**


(A)	170.0°	(G)	4983.0 mm
(B)	7225.0 mm	(H)	6887.0 mm
(B*)	7549.0 mm	(H*)	7115.0 mm
(C)	7087.0 mm	(I)	4537.0 mm
(C*)	7418.0 mm	(I*)	4765.0 mm
(D)	2659.0 mm	(J)	2587.0 mm
(D*)	2964.0 mm	(J*)	2883.0 mm
(E)	479.0 mm	(K)	4519.0 mm
(F)	410.0 mm	(K*)	4859.0 mm

**Dimensions**


(A)	462.0 mm	(J)	2200.0 mm
(B)	710.0 mm	(K)	2540.0 mm
(C)	1666.0 mm	(L)	450.0 mm
(D)	2311.0 mm	(M)	622.0 mm
(E)	2009.0 mm	(N)	907.0 mm
(F)	4872.0 mm	(O)	2202.0 mm
(G)	2896.0 mm	(P)	348.0 mm
(H)	6329.0 mm	(P*)	468.0 mm
(H*)	6341.0 mm	(Q)	2600.0 mm
(I)	30.0 mm	(R)	2525.0 mm

**Options**

7" touch screen	Keyless ignition kit
Long dipperstick	Keyless ignition Deluxe
Add-on counterweight	Add-on counterweight kit
2nd Auxiliary hydraulics	Case drain line kit
Tilt coupler lines (AUX4)	Direct to Tank kit
Heated Deluxe textile suspension seat with head rest	Clamp with AUX1 valve kit
AM/FM MP3 stereo radio with Bluetooth	Blade load holding valve
FOGS kit (Overhead guard)	450 mm Segmented tracks kit
Travel motion alarm	Rear view camera kit
Beacon kit	Rear LED light Kit
	Depth Check Kit

Special applications  
kit (Front windscreen  
protection)