

Weights

Operating weight with cab and bucket (ISO 6016)	2705 kg
Transport mass (no attachment)	2571 kg
Weight reduction with canopy	-118 kg
Additional weight for steel tracks	130 kg
Additional weight for long dipperstick	10 kg
Additional weight for heavy counterweight	123 kg
Ground pressure with rubber tracks	25.00 kPa

Engine

Make / model	Yanmar / 3TNV76-PBC (Stage V)
Fuel	Diesel
Number of cylinders	3
Displacement	1116 cm ³
Maximum power @ 2400 rpm (ISO 14396)	14.9 kW
Maximum torque @ 1800 rpm (SAE J1995)	66.3 Nm

Hydraulic System

Pump type	Dual outlet variable displacement piston pump with gear pumps
Total hydraulic capacity	94.25 L/min
Piston pump capacity	67.50 L/min
Auxiliary (AUX1) flow	53.75 L/min
Auxiliary (AUX2) flow	20.00 L/min
Auxiliary (AUX1) relief	180.00 bar
Auxiliary (AUX2) relief	179.00 bar

Performance

Digging force, dipperstick (ISO 6015)	16200 N
Digging force, long dipperstick (ISO 6015)	13470 N
Digging force, bucket (ISO 6015)	23720 N
Drawbar pull	29023 N
Travel speed, low range	2.5 km/h
Travel speed, high range	4.3 km/h

Slew System

Boom swing, left	70.0°
Boom swing, right	55.0°
Slew rate	9.3 RPM

Fluid Capacities

Fuel reservoir	34.40 L
Hydraulic reservoir	10.20 L

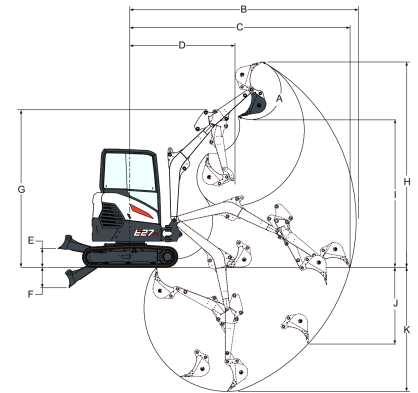
Environmental

Noise level LpA(EU Directive 2006/42/EC)	79 dB(A)
Noise level LWA(EU Directive 2000/14/EC)	93 dB(A)
Whole body vibration (ISO 2631-1)	0.18 ms ⁻²
Hand-arm vibration (ISO 5349-1)	0.51 ms ⁻²

Standard Features

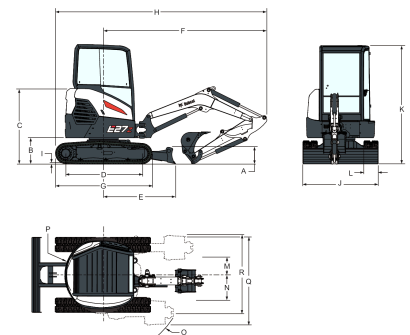
1550 mm dozer blade	Horn
300 mm rubber tracks	Proportional fingertip auxiliary and boom swing offset hydraulic control
Adjustable double acting auxiliary hydraulic (AUX1) with Quick Couplers	Retractable seat belt
Battery disconnect switch	Suspension seat with high back
Blade float feature	Storage compartment
Clamp ready	TOPS/ROPS/FOPS canopy * 1
Control console locks	Two-speed travel with Auto shift
Cupholder	Upper structure four-point tie down
Dual Direction Detent	Work light (boom)
Engine/hydraulic monitor with shutdown	Water separator
Foldable and ergonomic travel pedals	Warranty: 24 months, 2000 hours (whichever occurs first)
Full fuel warning alarm	

1. Roll Over Protective Structure (ROPS) – Meets requirements of ISO 3471. Tip Over Protective Structure (TOPS) – Meets requirements of ISO 12117. Falling Object Protective Structure (FOPS) - Meets requirements of ISO 3449.

Working Range


Values marked with * - Long dipperstick

(A)	185.0°	(G)	3247.0 mm
(B)	4644.0 mm	(H)	4230.0 mm
(B*)	4931.0 mm	(H*)	4430.0 mm
(C)	4518.0 mm	(I)	3043.0 mm
(C*)	4814.0 mm	(I*)	3243.0 mm
(D)	2131.0 mm	(J)	1567.0 mm
(D*)	2135.0 mm	(J*)	1818.0 mm
(E)	385.0 mm	(K)	2547.0 mm
(F)	420.0 mm	(K*)	2847.0 mm

Dimensions


(A)	319.0 mm	(J)	1550.0 mm
(B)	539.0 mm	(K)	2438.0 mm
(C)	1540.0 mm	(L)	300.0 mm
(D)	1543.0 mm	(M)	565.0 mm
(E)	1462.0 mm	(N)	773.0 mm
(F)	3343.0 mm	(O)	1726.0 mm
(G)	1965.0 mm	(P)	785.0 mm
(H)	4325.0 mm	(Q)	1808.0 mm
(I)	21.0 mm	(R)	1599.0 mm

Options

Comfort package cab (Cloth susp. seat & Dlx displ.)	Travel motion alarm
A-SAC package (Tilt coupler lines, Dlx displ.)	AM/FM MP3 radio
Object handling package (Valves, OWD, Lifteye)	Additional halogen lights
TOPS/ROPS/FOPS cab	LED lights set
Long dipperstick	Beacon
Heavy counterweight	Special application kit
Steel tracks	L/R mirrors
AUX1 direct return to tank	Clamp w/ AUX1 valve
AUX2 hydraulics	Klacc D and MS03 coupler
AUX1/AUX2/Drain on arm	Bobcat hydr. pin grabber
Bucket valves (AUX3) kit	Grease Gun Set (Gun + Holder in Machine)
Hydr. coupler lines (AUX5)	Comfort package plus cab (Heated seat, Dlx displ.)
Case drain line	Demolition package (arm & bucket cylinder covers)

Auto idle
Keyless ignition

HS03 tilt coupler with lifeye