

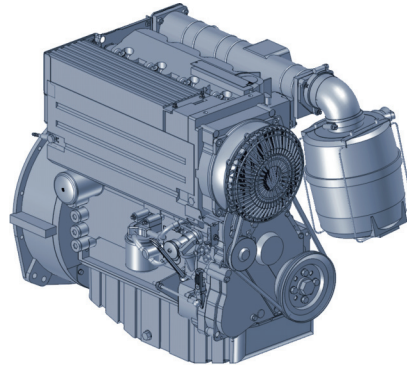
D 2011Li

for generator sets

12 - 29 kW | 15 - 39 hp at 1500 min⁻¹ | rpm

EU Stage IIIA

- Oil-cooled 2, 3 and 4-cylinder aspirated engine in inline construction with integrated cooling system.
- Direct injection with single injection pumps and optional electronic governor.
- High reliability combined with durability. No corrosion or cavitation due to oil cooling and lubrication.



- Minimised running costs due to low maintenance need and little wear.
- Low fuel consumption due to optimised combustion.
- Long oil change intervals of up to 1000 hours.
- A very good load response ensures an immediate power supply.

Technical data

Engine type		D 2011L02i	D 2011L03i	D 2011L04i
No. of cylinders		2	3	4
Bore/stroke	mm in	94/112 3.7/4.4	94/112 3.7/4.4	94/112 3.7/4.4
Displacement	l cu in	1.6 95	2.3 142	3.1 190
Weight (incl. cooler and fan)	kg lb	212 467	254 560	293 646
Governing standard ¹⁾		G2	G2	G2

50 Hz / 1500 min⁻¹

Power		D 2011L02i	D 2011L03i	D 2011L04i
Continuous Power (COP) ²⁾	kW hp	11.5 15.4	18.1 24.3	26.4 35.4
Prime Power (PRP) ³⁾	kW hp	12.1 16.2	19.1 25.6	27.8 37.3
Limited Time Power (LTP) ⁴⁾	kW hp	12.7 17.0	20.1 27.0	29.2 39.2
Fan power consumption	kW hp	0.1 0.1	0.1 0.1	0.2 0.2
Typical Generator Output COP ⁵⁾	kVA	13	20	30
Typical Generator Output PRP ⁵⁾	kVA	13	21	31
Typical Generator Output LTP ⁵⁾	kVA	14	22	33

1) According to ISO 8528-5.

2) Continuous Power: No time limitation, plus 10% additional power for governing purpose only.

3) Prime Power: Average power output ≤ 80%, no time limitation, plus 5% additional power for governing purpose only.

4) Limited Time Running Power: For up to 500 h/year, thereof a maximum of 300 h/year continuous running.

5) In consideration of a generator efficiency level of 89 - 90 % and a power factor of 0.8.

The data on this data sheet are for information purposes only and are not binding values. The data in the quotation is definitive.

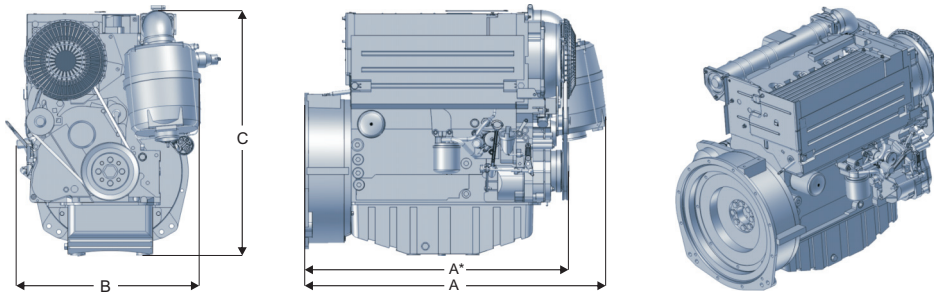
50 Hz / 1500 min⁻¹

Fuel Consumption (PRP) ¹⁾		D 2011L02i	D 2011L03i	D 2011L04i
Fuel consumption 25% load	g/kWh lb/hph	301 0.49	299 0.49	264 0.43
Fuel consumption 50% load	g/kWh lb/hph	246 0.40	236 0.39	226 0.37
Fuel consumption 75% load	g/kWh lb/hph	235 0.39	224 0.37	216 0.36
Fuel consumption 100% load	g/kWh lb/hph	244 0.40	233 0.38	222 0.36
Heat balance & cooling system		D 2011L02i	D 2011L03i	D 2011L04i
Heat dissipation (engine radiator) ²⁾	kW hp	-	-	-
Heat dissipation (convection)	kW hp	-	-	-
Cooling air flow	m ³ /h cfm	1065 627	1075 633	1490 877
Inlet & exhaust data		D 2011L02i	D 2011L03i	D 2011L04i
max. intake depression	mbar psi	20 0.29	20 0.29	20 0.29
Combustion air volume	m ³ /h cfm	61 36	86 51	122 72
max. exhaust gas temperature	°C °F	510 950	510 950	510 950
Exhaust gas flow	m ³ /h cfm	169 99	236 139	337 198

1) Refers to diesel with a density of 0.835 kg/dm³ at 15°C | 6.96 lb/US gallon at 60°F.

2) The heat quantities are valid for the dimensioning of the cooling system.

Dimensions



		A	A*	B	C
D 2011L02i	mm in	645 25	540 21	590 23	705 28
D 2011L03i	mm in	755 30	650 26	590 23	700 28
D 2011L04i	mm in	870 34	760 30	590 23	720 28

Note: The engine dimensions and weights vary depending on the scope of delivery.

For more information please contact the DEUTZ AG Köln or the responsible sales partner.