

A9 HEAVY DUTY CHEMICAL PUMP

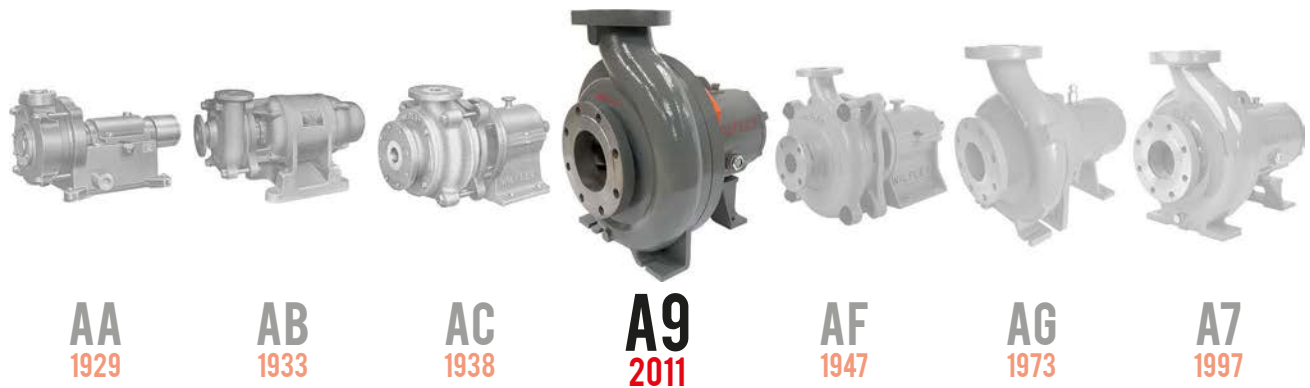
Mechanical Seals



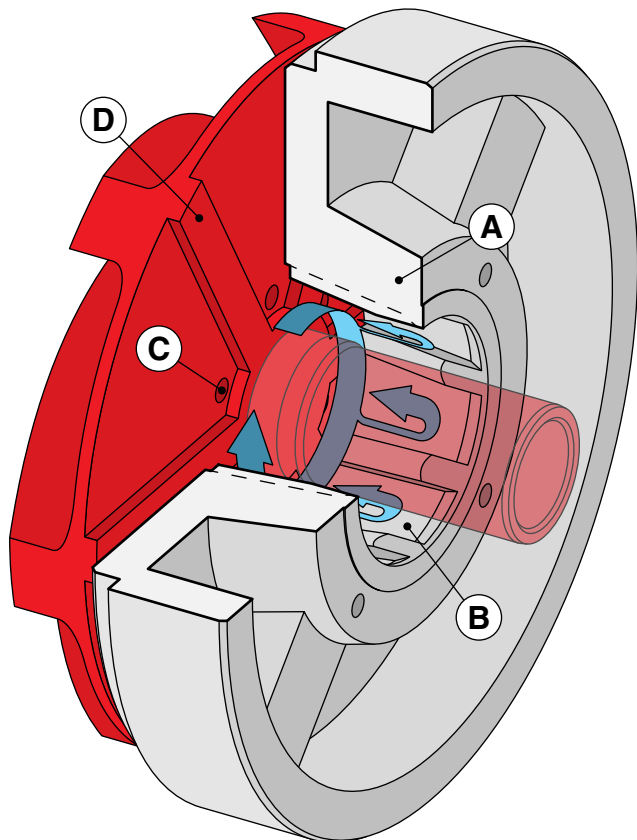
WILFLEY®

A PROVEN DESIGN FOR EXTENDED MECHANICAL SEAL LIFE

The Model A9 heavy duty centrifugal pump represents the culmination of nearly 90 years of continuous improvement in chemical process handling equipment. A modern descendant of the **ground-breaking** Model AA released in 1929, the A9 meets or exceeds the requirements of ASME B73.1 specifications, yielding superior results for lowest overall cost and highest uptime. Designed for continuous duty and high specific gravity fluids, it is truly engineered to deliver reliability and longevity for mission critical services.



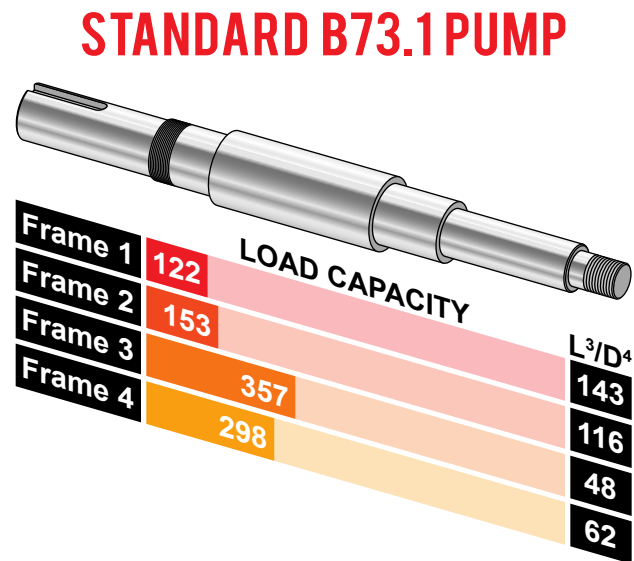
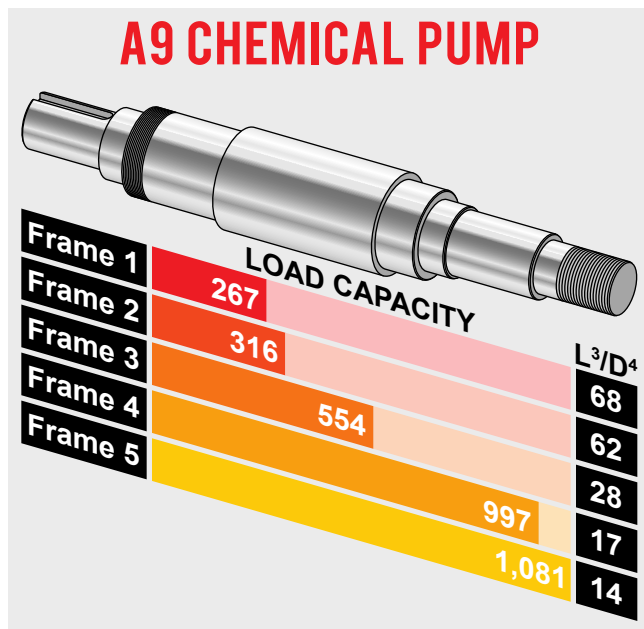
With multiple configurations available the Model A9 offers an ideal environment for all sealing options, especially the precision components used in mechanical seals. Available in oversized tapered and cylindrical designs, the robust A9 seal housing offers features proven to **extend service life**.



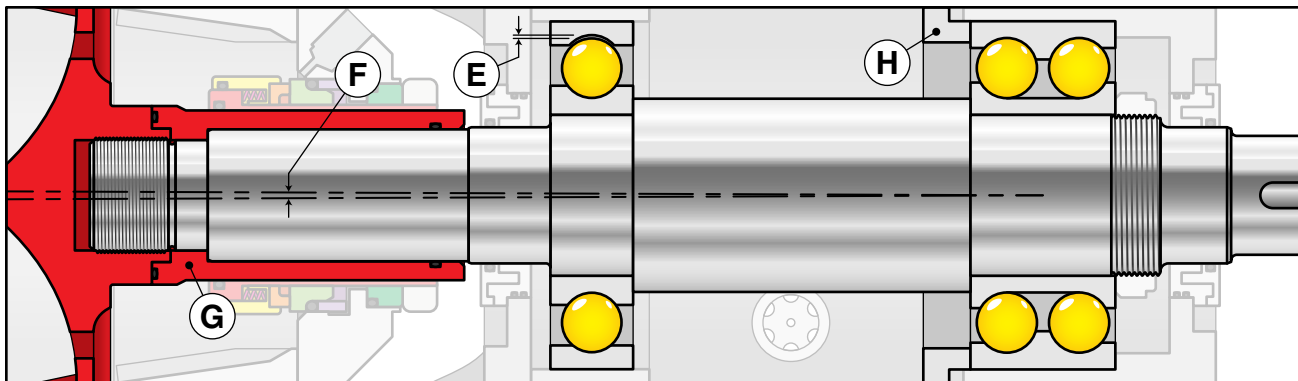
- A** Oversized taper seal housing is self venting and removes heat build-up from seal faces
- B** Flow is recirculated in the seal area, removing solids and homogenizing two phase fluids
- C** Pressure balance holes transmit lowest possible pressure to seal for reduced wear and seal drag
- D** Fluid is recirculated by pump out vanes to promote heat removal and solids expelling

HEAVY DUTY CONSTRUCTION

Wilfley designed the Model A9 with an incredibly stout power frame system that offers maximum precision and fortified positioning for single and double mechanical seals. This heavy duty design achieves **industry dominating** load capacity and L^3/D^4 values while still providing a sleeve to isolate the shaft from the pump fluid.



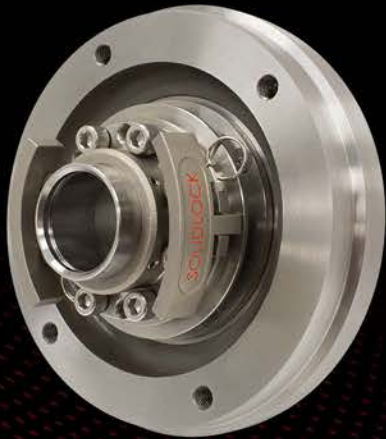
Scaled comparisons for sleeved shaft designs
 Process Industry Practices (PIP) recommends an L^3/D^4 of less than 75 for maximum seal life
 Load capacity is the maximum radial force (lbs) allowed without exceeding the ASME B73.1 shaft deflection limits (0.005" at the impeller)



- E** Bearings have more precise internal clearances (C_N vs C_3) than the typical ASME chemical pump
- F** Higher locational precision reduces radial permissible tolerance at the seal faces by up to **35%**, which increases the life of the mechanical seal
- G** Extra heavy duty shaft sleeve protects the shaft from the pump fluid
- H** Thrust bearing is clamped into the carrier for accurate and positive axial location

VISIT WWW.WILFLEY.COM

to see our full range of pumping solutions



SolidLock® Static Seal



DryLock® Static Seal

WILFLEY®
HEAVY DUTY
CENTRIFUGAL PUMPS

5870 E. 56th Avenue, Commerce City, CO 80022, USA

Toll Free: 1-800-525-9930 • Telephone: +1 (303) 779-1777 • Fax: +1 (303) 779-1277

pumps@wilfley.com • www.wilfley.com