

ILLUSTRATION

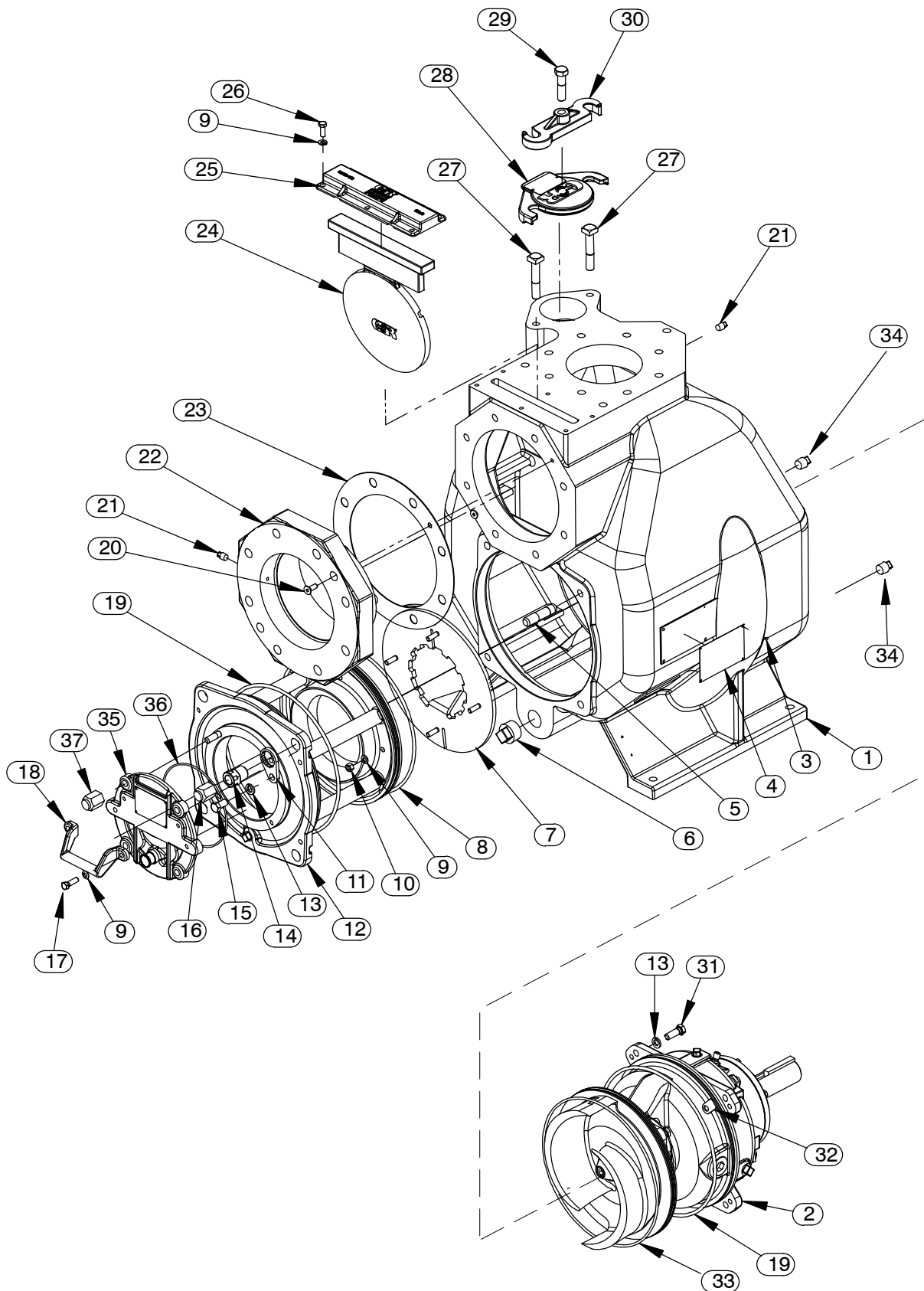


Figure 1. Pump Model V6C60SC-B

**PARTS LIST**  
**Pump Model V6C60SC-B**  
 (From S/N 1704218 Up)

If your pump serial number is followed by an "N", your pump is **NOT** a standard production model. Contact the Gorman-Rupp Company to verify part numbers.

ITEM NO.	PART NAME	PART NUMBER	QTY	ITEM NO.	PART NAME	PART NUMBER	QTY
1	PUMP CASING	SEE NOTE BELOW	1		LUBRICATION DECAL	38817-084	1
2	REPAIR ROTATING ASSY	44163-453	1		ULTRA V DECAL	38816-342	1
3	DRIVE SCREW	BM#04-03 17000	4		WARNING DECAL	2613FE	1
4	NAMEPLATE BLANK	38819-002 13000	1		DISCHARGE STICKER	6588BJ	1
5	STUD	C1213 15991	4		G-R DECAL	GR-03	1
6	PIPE PLUG	P20 10009	1		FL HERE TO PRM STK	6588AH	1
7	WEAR PLATE ASSY	46451-778 24150	1		INSTRUCTION TAG	38817-023	1
8 *	O-RING	25152-453	1		INSTRUCTION TAG	38817-011	1
9	LOCK WASHER	J06 15991	12		ERADICATOR DECAL	38812-111	1
10	HEX NUT	D06 15991	4		OPTIONAL:		
11	LOCK COLLAR	38115-551 15001	4		DISASSEMBLY TOOL	48711-020	1
12	BACK COVER ASSY	42111-839	1		FLAP VALVES:		
13	LOCK WASHER	J08 15991	8	†	-FLUOROCARBON	46411-155 24010	1
14	ADJUSTING SCREW	31871-070 1500G	4		-BUNA-N	46411-156 24010	1
15	HEX HEAD CAP SCREW	B0804 15991	4		-EPDM	46411-157 24010	1
16	BACK COVER NUT	31871-073 15000	4		FLANGE KITS:		
17	HEX HEAD CAP SCREW	B0605 15991	2		8" X 6" NPT SUCTION/DISCHARGE		
18	HANDLE	12354 13010	1		FLANGE KIT	48213-118	1
19 *	O-RING	S1676	2		8" NPT SUCTION		
20	FLAT HEAD CAP SCREW	F0604 17000	2		FLANGE KIT	48213-154	1
21	PIPE PLUG	P04 15079	2		6" NPT DISCHARG		
22	SUCTION FLANGE	38641-533 10000	1		FLANGE KIT	48213-155	1
23 *	SUCTION GASKET	38683-659 19370	1		8" X 6" ASA SUCTION/DISCHARGE		
24	FLAP VALVE ASSY	46411-154 24010	1		SPOOL KIT	48213-151	1
25	FLAP VALVE COVER	38346-620 17040	1		8" ASA SUCTION		
26	HEX HEAD CAP SCREW	B0604 15991	6		SPOOL KIT	48213-150	1
27	SQUARE HEAD BOLT	A1014 15991	2		6" ASA DISCHARGE		
28	FILL PORT COVER ASSY	42111-437	1		SPOOL KIT	48213-116	1
	* -FILL PORT GASKET	50G 19210	1		8" X 6" METRIC SUCTION/DISCHARGE		
	-WARNING PLATE	38816-097 13990	1		SPOOL KIT	48213-117	1
	-DRIVE SCREW	BM#04-03 17000	2		8" METRIC SUCTION		
29	HEX HEAD CAP SCREW	B1010S 15991	1		SPOOL KIT	48213-152	1
30	CLAMP BAR	38111-004 11010	1		6" METRIC DISCHARGE		
31	HEX HEAD CAP SCREW	B0806 15991	4		SPOOL KIT	48213-153	1
32	SPACER	33221-022 17040	4		HI TEMP SHUT-DOWN KITS:		
33 *	O-RING	25152-381	1		-145°F	48313-186	1
34	PIPE PLUG	P08 15079	2		-130°F	48313-256	1
35	INSPECT COVER ASSY	42111-456	1		-120°F	48313-257	1
36 *	O-RING	S1472	1		HIGH TEMP SHUT-DOWN		
37	BACK COVER NUT	31871-075 15000	4		THERMOSTAT KIT 145°F	48313-172	1
NOT SHOWN:					AIR RELEASE VALVES:		
	SUCTION STICKER	6588AG	1		-10# COMP SPRING	GRP33-07A	1
	ROTATION DECAL	2613M	1		-25# COMP SPRING	GRP33-07	1
					-80# COMP SPRING	GRP33-07B	1

\* INDICATES PARTS RECOMMENDED FOR STOCK

☞ INCLUDED WITH REPAIR PUMP CASING ASSY 46472-727 1

ILLUSTRATION

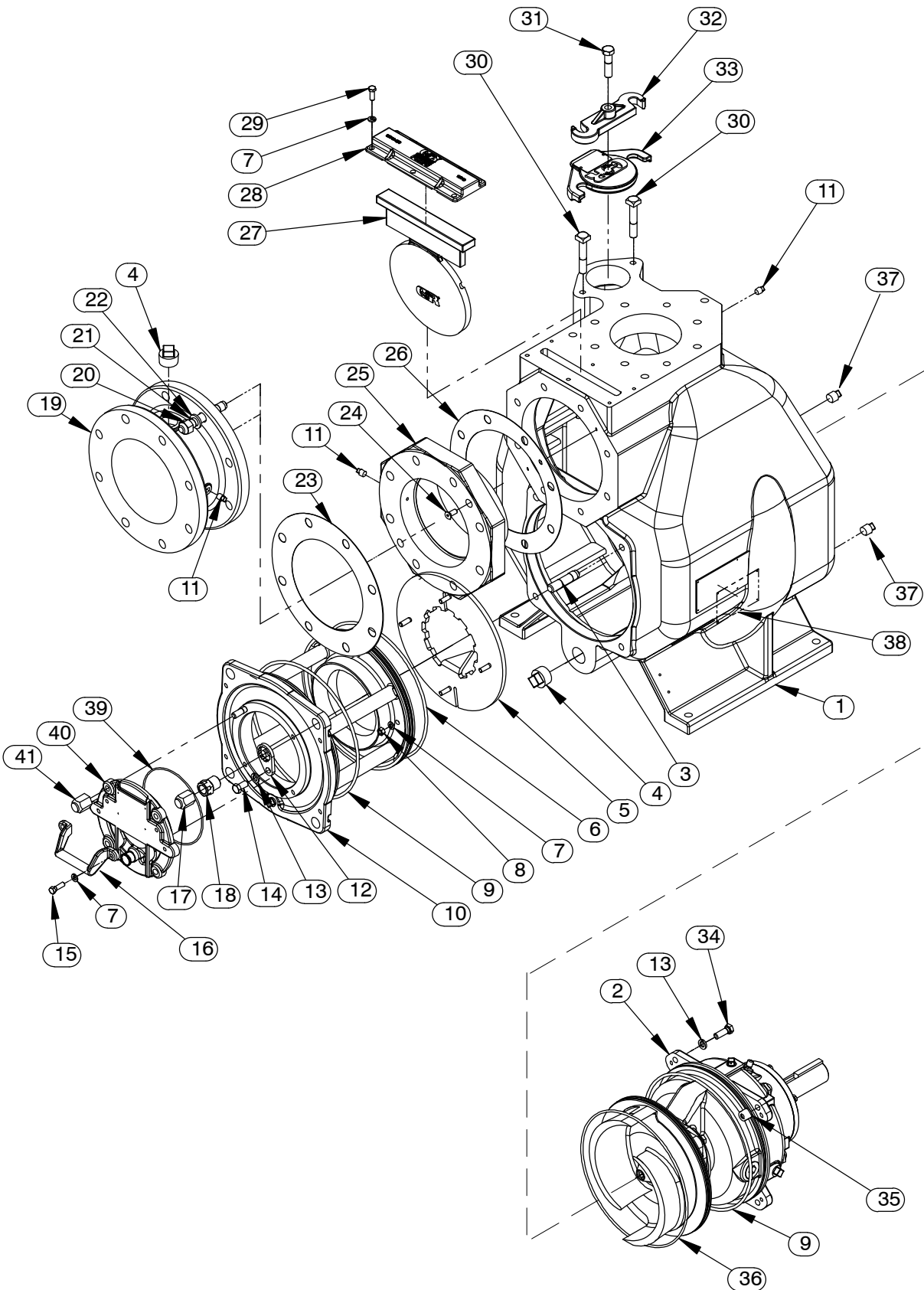


Figure 2. Pump Model V6C60SC-B /WW

**PARTS LIST**  
**Pump Model V6C60SC-B /WW**  
 (From S/N 1704218 Up)

If your pump serial number is followed by an "N", your pump is **NOT** a standard production model. Contact the Gorman-Rupp Company to verify part numbers.

ITEM NO.	PART NAME	PART NUMBER	QTY	ITEM NO.	PART NAME	PART NUMBER	QTY
1	PUMP CASING	SEE NOTE BELOW	1	37	PIPE PLUG	P08 15079	2
2	REPAIR ROTATING ASSY	44163-452	1	38	NAMEPLATE BLANK	38819-002 13000	1
3	STUD	C1213 15991	4	39 *	O-RING	S1472	1
4	PIPE PLUG	P20 10009	2	40	INSPECT COVER ASSY	42111-456	1
5	WEAR PLATE ASSY	46451-778 24150	1	41	BACK COVER NUT	31871-075 15000	4
6 *	O-RING	25152-453	1	OPTIONAL:			
7	LOCK WASHER	J06 15991	12		DISASSEMBLY TOOL	48711-020	1
8	HEX NUT	D06 15991	4	FLAP VALVES:			
9	O-RING	S1676	2	†	-FLUOROCARBON	46411-155 24010	1
10	BACK COVER ASSY	42111-839	1		-BUNA-N	46411-156 24010	1
11	PIPE PLUG	P04 15079	3		-EPDM	46411-157 24010	1
12	LOCK COLLAR	38115-551 15001	4	FLANGE KITS:			
13	LOCK WASHER	J08 15991	8		8" X 6" NPT SUCTION/DISCHARGE		
14	HEX HEAD CAP SCREW	B0804 15991	4		FLANGE KIT	48213-118	1
15	HEX HEAD CAP SCREW	B0605 15991	2		8" NPT SUCTION		
16	HANDLE	12354 13010	1		FLANGE KIT	48213-154	1
17	BACK COVER NUT	31871-073 15000	4		6" NPT DISCHARG		
18	ADJUSTING SCREW	31871-070 1500G	4		FLANGE KIT	48213-155	1
19	FLANGE	12799 10010	1		8" X 6" ASA SUCTION/DISCHARGE		
20	HEX NUT	D12 15991	8		SPOOL KIT	48213-151	1
21	STUD	C1221 15991	8		8" ASA SUCTION		
22	LOCK WASHER	J12 15991	8		SPOOL KIT	48213-150	1
23 *	GASKET	25113-038	1		6" ASA DISCHARGE		
24	FLAT HEAD CAP SCREW	F0604 17000	2		SPOOL KIT	48213-116	1
25	SUCTION FLANGE	38641-533 10000	1		8" X 6" METRIC SUCTION/DISCHARGE		
26 *	SUCTION GASKET	38683-659 19370	1		SPOOL KIT	48213-117	1
27	FLAP VALVE ASSY	46411-154 24010	1		8" METRIC SUCTION		
28	FLAP VALVE COVER	38346-620 17040	1		SPOOL KIT	48213-152	1
29	HEX HEAD CAP SCREW	B0604 15991	6		6" METRIC DISCHARGE		
30	SQUARE HEAD BOLT	A1014 15991	2		SPOOL KIT	48213-153	1
31	HEX HEAD CAP SCREW	B1010S 15991	1	HI TEMP SHUT-DOWN KITS:			
32	CLAMP BAR	38111-004 11010	1		-145°F	48313-186	1
33	FILL PORT COVER ASSY	42111-437	1		-130°F	48313-256	1
	* -FILL PORT GASKET	50G 19210	1		-120°F	48313-257	1
	-WARNING PLATE	38816-097 13990	1	HIGH TEMP SHUT-DOWN			
	-DRIVE SCREW	BM#04-03 17000	2		THERMOSTAT KIT 145°F	48313-172	1
34	HEX HEAD CAP SCREW	B0806 15991	4	AIR RELEASE VALVES:			
35	SPACER	33221-022 17040	4		-10# COMP SPRING	GRP33-07A	1
36 *	O-RING	25152-381	1		-25# COMP SPRING	GRP33-07	1
					-80# COMP SPRING	GRP33-07B	1

\* INDICATES PARTS RECOMMENDED FOR STOCK

INCLUDED WITH REPAIR	46472-727	1
PUMP CASING ASSY		