

ILLUSTRATION

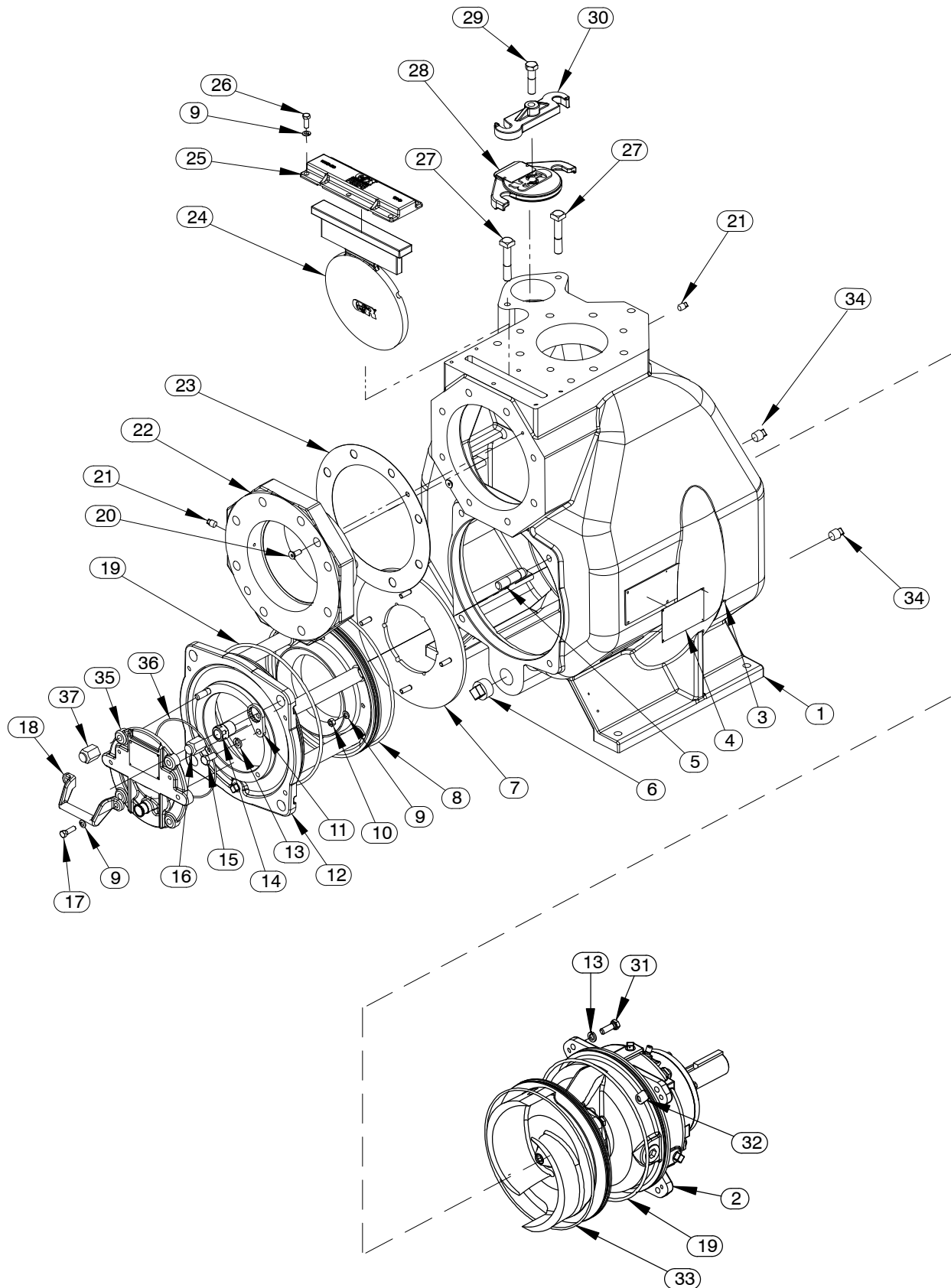


Figure 1. Pump Model V6A60-B (Including /WW)

PARTS LIST
Pump Model V6A60-B (Including /WW)
 (From S/N 1727310 Up)

If your pump serial number is followed by an "N", your pump is **NOT** a standard production model. Contact the Gorman-Rupp Company to verify part numbers.

ITEM NO.	PART NAME	PART NUMBER	QTY	ITEM NO.	PART NAME	PART NUMBER	QTY
1	PUMP CASING	SEE NOTE BELOW	1		ROTATION DECAL	2613M	1
2	REPAIR ROTATING ASSY	44163-452	1		LUBRICATION DECAL	38817-084	1
	-V6A60-B	44163-453	1		ULTRA V DECAL	38816-342	1
	-V6A60-B /WW	44163-454	1		WARNING DECAL	2613FE	1
3	DRIVE SCREW	BM#04-03 17000	4		DISCHARGE STICKER	6588BJ	1
4	NAMEPLATE BLANK	38819-002 13000	1		G-R DECAL	GR-03	1
5	STUD	C1213 15991	4		FL HERE TO PRM STK	6588AH	1
6	PIPE PLUG	P20 10009	1		INSTRUCTION TAG	38817-023	1
7 *	WEAR PLATE ASSY	46451-759 24150	1		INSTRUCTION TAG	38817-011	1
8 *	O-RING	25152-453	1		OPTIONAL:		
9	LOCK WASHER	J06 15991	12		DISASSEMBLY TOOL	48711-020	1
10	HEX NUT	D06 15991	4		FLAP VALVES:		
11	LOCK COLLAR	38115-551 15001	4	†	-FLUOROCARBON	46411-155 24010	1
12	BACK COVER ASSEMBLY	42111-839	1		-BUNA-N	46411-156 24010	1
13	LOCK WASHER	J08 15991	8		-EPDM	46411-157 24010	1
14	ADJUSTING SCREW	31871-070 1500G	4		FLANGE KITS:		
15	HEX HEAD CAP SCREW	B0804 15991	4		8" X 6" NPT SUCTION/DISCHARGE		
16	BACK COVER NUT	31871-073 15000	4		FLANGE KIT	48213-118	1
17	HEX HEAD CAP SCREW	B0605 15991	2		8" NPT SUCTION		
18	HANDLE	12354 13010	1		FLANGE KIT	48213-154	1
19 *	O-RING	S1676	2		6" NPT DISCHARG		
20	FLAT HEAD CAP SCREW	F0604 17000	2		FLANGE KIT	48213-155	1
21	PIPE PLUG	P04 15079	2		8" X 6" ASA SUCTION/DISCHARGE		
22	SUCTION FLANGE	38641-533 10000	1		SPOOL KIT	48213-151	1
23 *	SUCTION GASKET	38683-659 19370	1		8" ASA SUCTION		
24	FLAP VALVE ASSY	46411-154 24010	1		SPOOL KIT	48213-150	1
25	FLAP VALVE COVER	38346-620 17040	1		6" ASA DISCHARGE		
26	HEX HEAD CAP SCREW	B0604 15991	6		SPOOL KIT	48213-116	1
27	SQUARE HEAD BOLT	A1014 15991	2		8" X 6" METRIC SUCTION/DISCHARGE		
28	FILL PORT COVER ASSY	42111-437	1		SPOOL KIT	48213-117	1
	* -FILL PORT GASKET	50G 19210	1		8" METRIC SUCTION		
	-WARNING PLATE	38816-097 13990	1		SPOOL KIT	48213-152	1
	-DRIVE SCREW	BM#04-03 17000	2		6" METRIC DISCHARGE		
29	HEX HEAD CAP SCREW	B1010S 15991	1		SPOOL KIT	48213-153	1
30	CLAMP BAR	38111-004 11010	1		G-R HARD IRON PARTS:		
31	HEX HEAD CAP SCREW	B0806 15991	4		-WEAR PLATE ASSY	46451-759 24160	1
32	SPACER	33221-022 17040	4		SST PARTS:		
33 *	O-RING	25152-381	1		-WEAR PLATE ASSY	46451-759 24170	1
34	PIPE PLUG	P08 15079	2		HI TEMP SHUT-DOWN KITS:		
35	INSPECT COVER ASSY	42111-456	1		-145°F	48313-186	1
	-WARNING PLATE	2613EV 13990	1		-130°F	48313-256	1
	-DRIVE SCREW	BM#04-03 17000	4		-120°F	48313-257	1
	* -PRESS RELIEF VALVE	26662-005	1		HIGH TEMP SHUT-DOWN		
36 *	O-RING	S1472	1		THERMOSTAT KIT 145°F	48313-172	1
37	BACK COVER NUT	31871-075 15000	4		AIR RELEASE VALVES:		
NOT SHOWN:					-10# COMP SPRING	GRP33-07A	1
	SUCTION STICKER	6588AG	1		-25# COMP SPRING	GRP33-07	1
					-80# COMP SPRING	GRP33-07B	1

* INDICATES PARTS RECOMMENDED FOR STOCK

☞ INCLUDED WITH REPAIR 46472-727 1
 PUMP CASING ASSY

† DUPONT VITON® OR EQUIVALENT

ILLUSTRATION

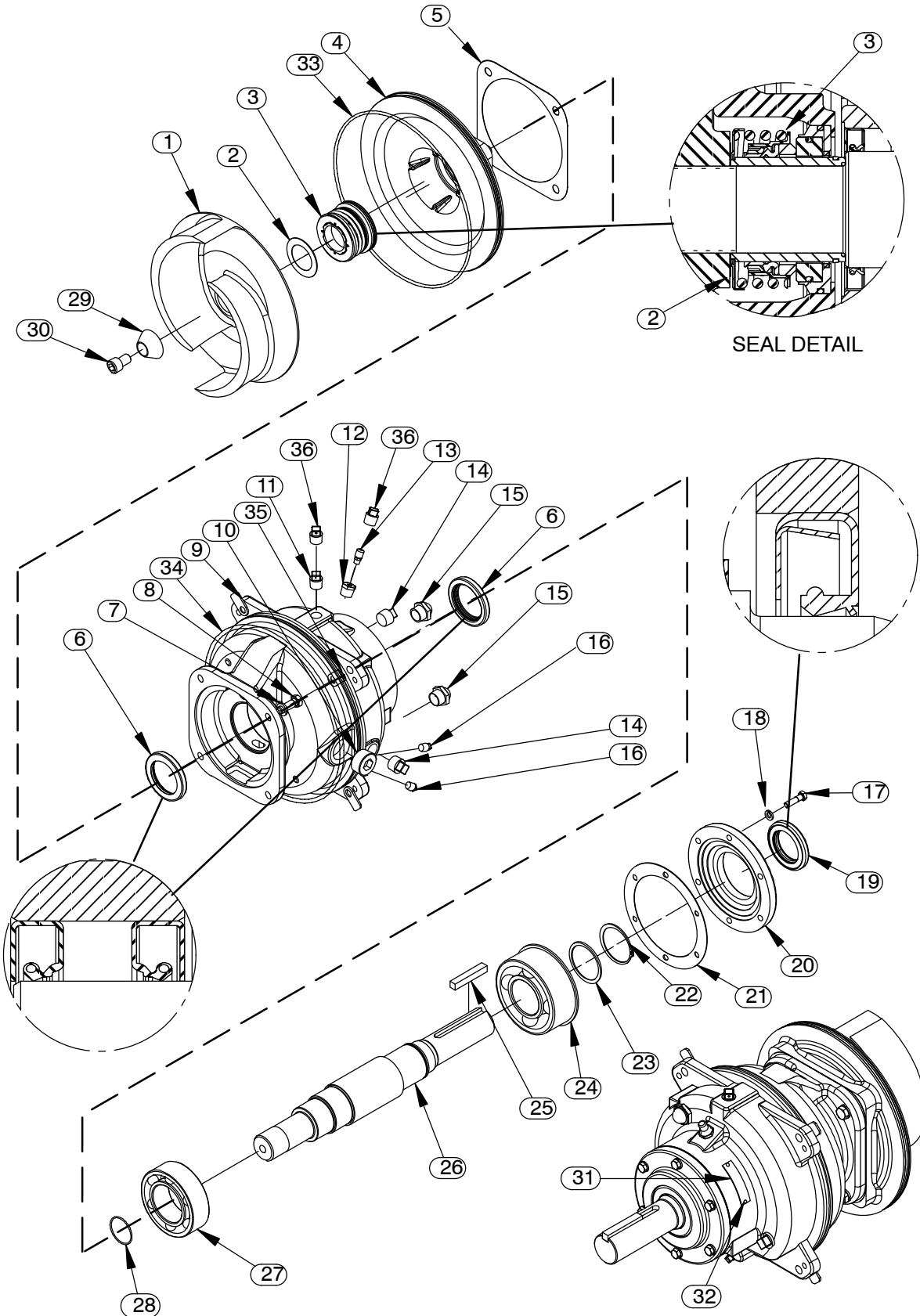


Figure 2. Repair Rotating Assemblies

PARTS LIST

Repair Rotating Assemblies

Note: Order the complete Repair Rotating Assembly from the Pump Model Assembly Parts List on page E-3. Rotating Assemblies for /WW models also include all standard parts listed below.

ITEM NO.	PART NAME	PART NUMBER	QTY
1	* IMPELLER	38615-102 11010	1
2	* ADJ SHIM SET	48261-057	1
3	* CARTRIDGE SEAL ASSY	46513-155	1
4	SEAL PLATE	38272-262 10000	1
5	* GASKET	38687-059 20000	1
6	* OIL SEAL	25227-771	2
7	LOCK WASHER	J08 15991	4
8	HEX HEAD CAP SCREW	B0806 15991	4
9	BEARING HOUSING	38251-521 10000	1
10	SOC HD PIPE PLUG	PC20 10009	1
11	VENTED PIPE PLUG	4823A 15079	1
12	REDUCER PIPE BUSHING	AP0802 15079	1
13	AIR VENT	S1530	1
14	PIPE PLUG	P12 15079	2
15	SIGHT GAUGE	S1471	2
16	PIPE PLUG	P04 15079	2
17	HEX HEAD CAP SCREW	B0606 15991	6
18	LOCK WASHER	J06 15991	6
19	* OIL SEAL	S1907	1
20	BEARING CAP	38322-230 10000	1
21	* GASKET	38683-474 18000	1
22	RETAINING RING	S720	1
23	THRUST WASHER	31133-268 15000	1
24	* BALL BEARING	23422-414	1
25	* KEY	N0812 15990	1
26	* IMPELLER SHAFT	38514-826 16000	1
27	* BALL BEARING	23422-019	1
28	* O-RING	25154-131	REF
29	IMPELLER WASHER	31514-015 17000	1
30	SOCKET HEAD CAP SCREW	DM1004S 15991	1
31	ASSEMBLY PLATE	2613GG 13990	1
32	DRIVE SCREW	BM#04-03 17000	2
33	* O-RING	25152-381	1
34	* O-RING	S1676	1
35	SPACER	33221-022 17040	4
36	SHIPPING PLUG	11495B 15079	2
NOT SHOWN:			
	INSTRUCTION TAG	6588U	1
	ROTATION DECAL	2613M	1

* INDICATES PARTS RECOMMENDED FOR STOCK