

ILLUSTRATION

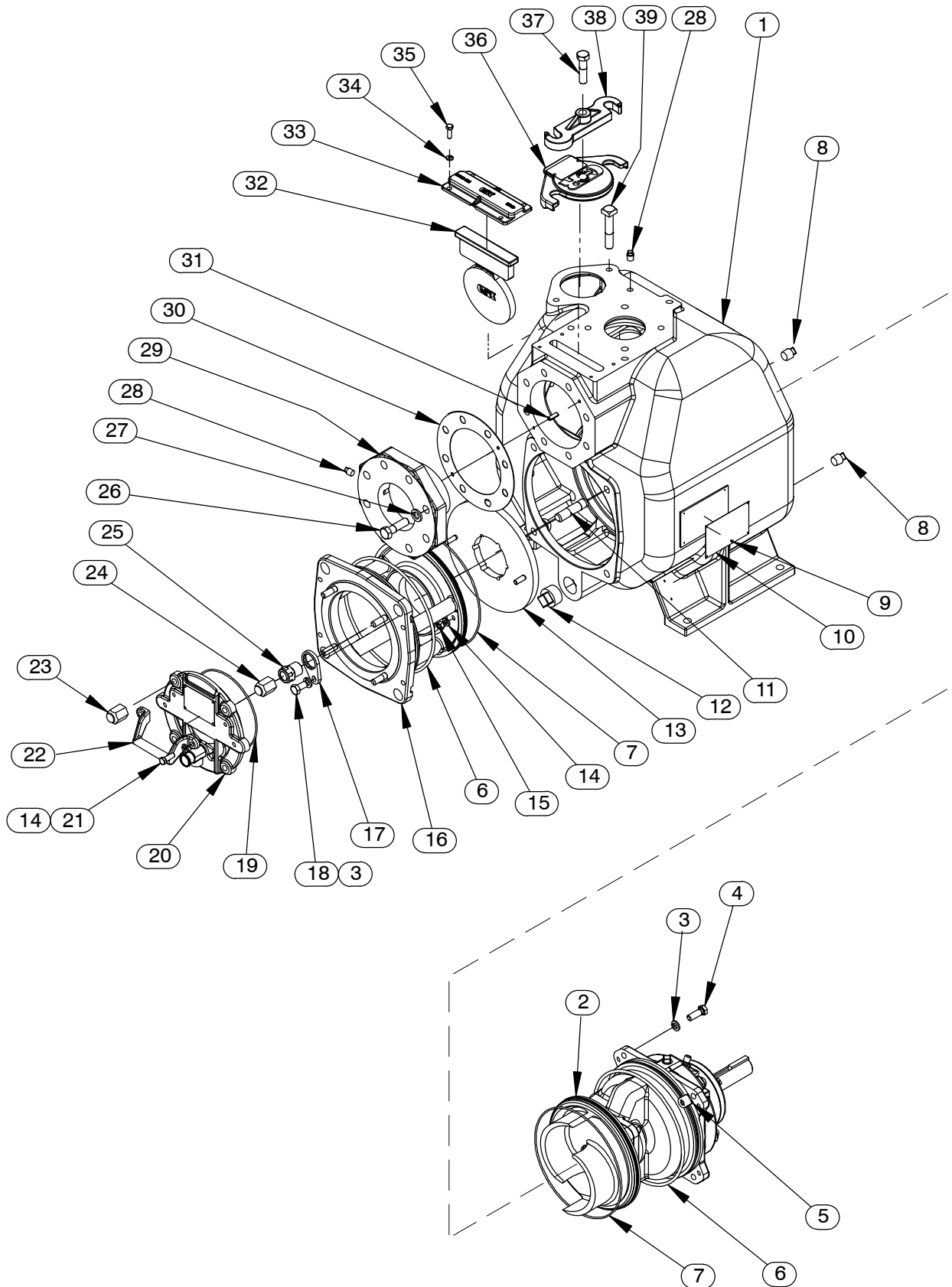


Figure 1. Pump Model V3A60-B (Including /WW)

**PARTS LIST**  
**Pump Model V3A60-B (Including /WW)**  
 (From S/N 1727989 Up)

If your pump serial number is followed by an "N", your pump is **NOT** a standard production model. Contact the Gorman-Rupp Company to verify part numbers.

ITEM NO.	PART NAME	PART NUMBER	QTY	ITEM NO.	PART NAME	PART NUMBER	QTY
1	PUMP CASING	SEE NOTE BELOW	1	NOT SHOWN:			
2	REPAIR ROTATING ASSY: -V3A60-B	44163-463	1	SUCTION SPOOL PARTS (/WW MODEL ONLY)			
	-V3A60-B /WW	44163-464	1		-SPOOL FLANGE	12066A 10010	1
3	LOCK WASHER	J08 15991	8		-FLANGE GASKET	25113-034	1
4	HEX HEAD CAP SCREW	B0806 15991	4		-FLANGE PIPE PLUG	P20 10009	1
5	SPACER	33221-022 17040	4		G-R DECAL	GR-03	1
6 *	O-RING	S1674	2		LUBRICATION DECAL	38817-084	1
7 *	O-RING	25152-273	2		ULTRA V DECAL	38816-342	1
8	PIPE PLUG	P08 15079	2		SUCTION STICKER	6588AG	1
9	DRIVE SCREW	BM#04-03 17000	4		DISCHARGE STICKER	6588BJ	1
10	NAMEPLATE BLANK	38819-002 13000	1		FILL TO PRIME STICKER	6588AH	1
11	STUD	C1213 15991	4		WARNING DECAL	2613FE	1
12	PIPE PLUG	P20 10009	1		ROTATION DECAL	2613M	1
13 *	WEAR PLATE ASSY	46451-758 24150	1		INSTRUCTION TAG	38817-023	1
14	LOCK WASHER	J06 15991	4		INSTRUCTION TAG	38817-011	1
15	HEX NUT	D06 15991	2	OPTIONAL:			
16	BACK COVER ASSY	42111-461	1		DISASSEMBLY TOOL	48711-020	1
17	LOCK COLLAR	38115-551 15001	4		FLAP VALVES:		
18	HEX HEAD CAP SCREW	B0804 15991	4	†	-FLUOROCARBON	46411-148 24010	1
19 *	O-RING	S1472	1		-BUNA-N	46411-149 24010	1
20	INSPECT COVER ASSY	42111-456	1		-EPDM	46411-150 24010	1
	-WARNING PLATE	2613EV 13990	1		FLANGE KITS:		
	-DRIVE SCREW	BM#04-03 17000	1		3" NPT DISCH KIT	48213-119	1
	* -PRESS RELIEF VALVE	26662-005	1		4" X 3" ASA SUCTION/DISCHARGE		
21	HEX HEAD CAP SCREW	B0604-1/2 15991	2		SPOOL KIT	48213-143	1
22	HANDLE	12354 13010	1		-4" ASA SUCT		
23	BACK COVER NUT	31871-075 15000	4		SPOOL KIT	48213-142	1
24	BACK COVER NUT	31871-073 15000	4		-3" ASA DISCH		
25	ADJUSTING SCREW	31871-070 1500G	4		SPOOL KIT	48213-120	1
26	HEX HEAD CAP SCREW	B1009 15991	8		4" X 3" METRIC SUCT/DISCH		
27	LOCK WASHER	J10 15991	8		SPOOL KIT	48213-121	1
28	PIPE PLUG	P04 15079	2		-4" METRIC SUCTION		
29	SUCTION FLANGE	38641-534 10000	1		SPOOL KIT	48213-144	1
30 *	GASKET	38683-502 19370	1		-3" METRIC DISCHARGE		
31	ROLL PIN	21154-229	2		SPOOL KIT	48213-145	1
32 *	FLAP VALVE ASSY	46411-147 24010	1		G-R HARD IRON PARTS:		
33	FLAP VALVE COVER	38346-621 17040	1		-WEAR PLATE ASSY	46451-758 24160	1
34	LOCK WASHER	J05 15991	4		SST PARTS:		
35	HEX HEAD CAP SCREW	B0504 15991	4		-WEAR PLATE ASSY	46451-758 24170	1
36	FILL PORT COVER ASSY	42111-437	1		HI TEMP SHUT-DOWN KITS:		
	* -FILL PORT GASKET	50G 19210	1		-145°F	48313-186	1
	-WARNING PLATE	38816-097 13990	1		-130°F	48313-256	1
	-DRIVE SCREW	BM#04-03 17000	2		-120°F	48313-257	1
37	HEX HEAD CAP SCREW	B1010S 15991	1		HIGH TEMP SHUT-DOWN		
38	CLAMP BAR	38111-004 11010	1		THERMOSTAT KIT 145°F	48313-172	1
39	MACHINE BOLT	A1014 15991	2		AIR RELEASE VALVES:		
					-10# COMP SPRING	GRP33-07A	1
					-25# COMP SPRING	GRP33-07	1
					-80# COMP SPRING	GRP33-07B	1

\* INDICATES PARTS RECOMMENDED FOR STOCK

☞ INCLUDED WITH REPAIR 46472-733 1  
 PUMP CASING ASSY

† DUPONT VITON® (A REGISTERED TRADEMARK OF THE DUPONT CORPORATION) OR EQUIVALENT

ILLUSTRATION

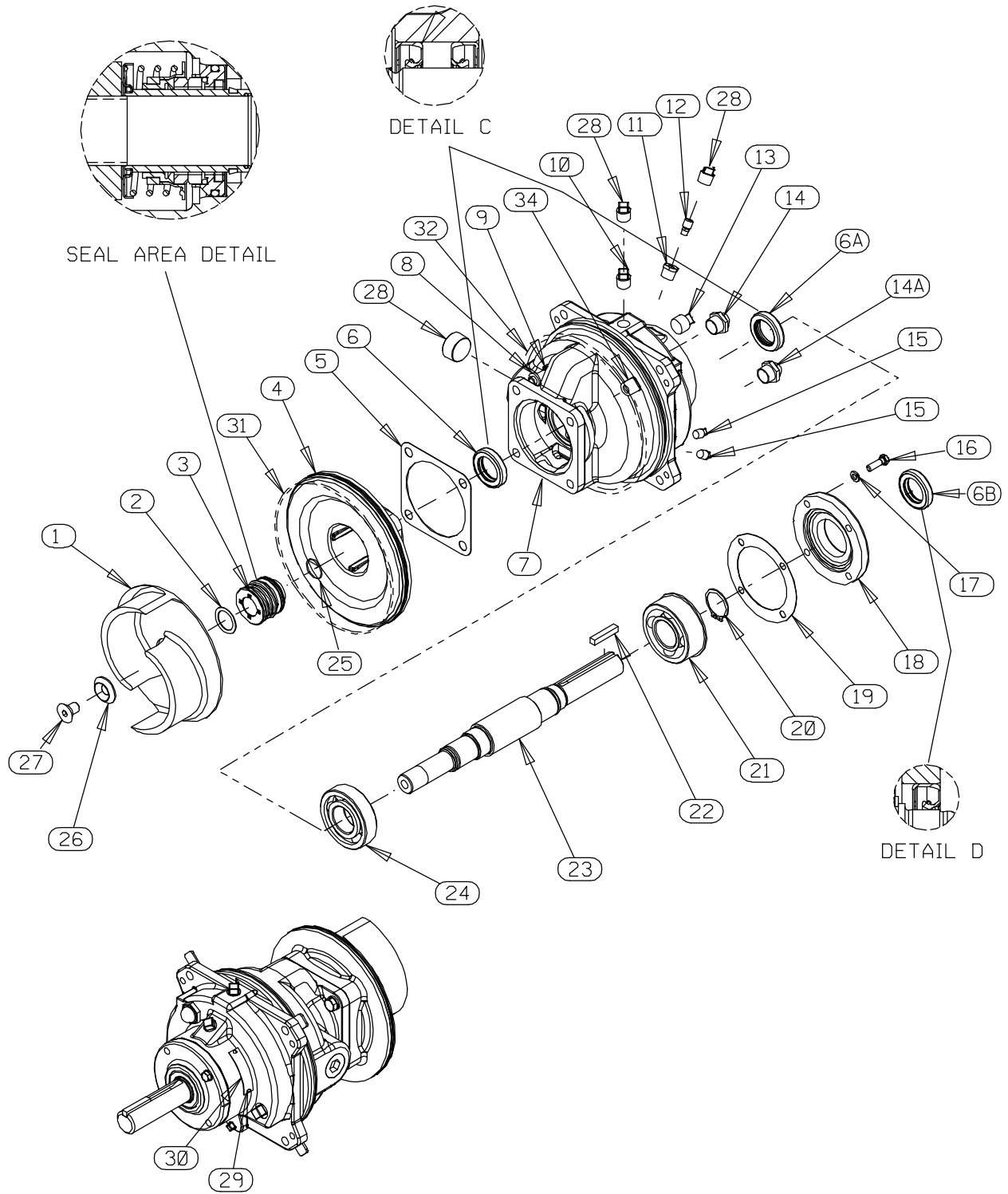


Figure 2. Repair Rotating Assemblies

**PARTS LIST**  
**Repair Rotating Assemblies**

**Note:** Order the complete Repair Rotating Assembly from the Pump Model Assembly Parts List on page E-3. Rotating Assemblies for /WW models also include all standard parts listed below.

ITEM NO.	PART NAME	PART NUMBER	QTY	ITEM NO.	PART NAME	PART NUMBER	QTY
1 *	IMPELLER	38615-103 11010	1	22 *	SHAFT KEY	N0608 15990	1
2 *	IMP ADJ SHIM SET	37J 17090	REF	23 *	IMPELLER SHAFT	38514-827 1706H	1
3 *	CARTRIDGE SEAL ASSY	46513-151	1	24 *	BALL BEARING	S1088	1
4	SEAL PLATE	38272-267 10000	1	25 *	O-RING	25154-022	REF
5 *	GASKET	10959G 20000	1	26 *	IMPELLER WASHER	31167-029 16000	1
6 *	OIL SEAL	S1352	1	27 *	IMPELLER SCREW	F1004S 1500G	1
6A *	OIL SEAL	S1352	1	28	PIPE PLUG	PC20 10009	1
6B *	OIL SEAL	S1352	1	29	DRIVE SCREW	BM#04-03 17000	2
7	BEARING HOUSING	38251-411 10000	1	30	S/N PLATE	2613GG 13990	1
8	LOCK WASHER	J08 15991	4	31 *	O-RING	25152-273	1
9	HEX HD CAPSCREW	B0805-1/2 15991	4	32 *	O-RING	S1674	1
10	VENTED PIPE PLUG	4823A 15079	1	33	SHIPPING PLUG	11495B 15079	2
11	RED PIPE BUSHING	AP0802 15079	1	34	SPACER	33221-022 17040	4
12	AIR VENT	S1530	1	NOT SHOWN:			
13	PIPE PLUG	P12 15079	1		ROTATION DECAL	2613M	1
14	SIGHT GAUGE	S1471	1		INSTRUCTION TAG	6588U	1
14A	SIGHT GAUGE	S1471	1	OPTIONAL:			
15	PIPE PLUG	P04 15	2	G-R HARD IRON PARTS:			
16	HEX HD CAPSCREW	B0605 15991	4		-IMPELLER	38615-103 1102H	1
17	LOCK WASHER	J06 15991	4		-SEAL PLATE	38272-267 1102H	1
18	BEARING CAP	38322-220 10000	1	SST PARTS:			
19 *	GASKET	38683-271 18000	1		-IMPELLER	38615-103 17070	1
20	RETAINING RING	S442	1		-SEAL PLATE	38272-267 17070	1
21 *	BALL BEARING	S375	1		-IMPELLER SHAFT	38514-827 1706H	1
					-CART SEAL ASSY	46513-156	1

\* INDICATES PARTS RECOMMENDED FOR STOCK