

ILLUSTRATION

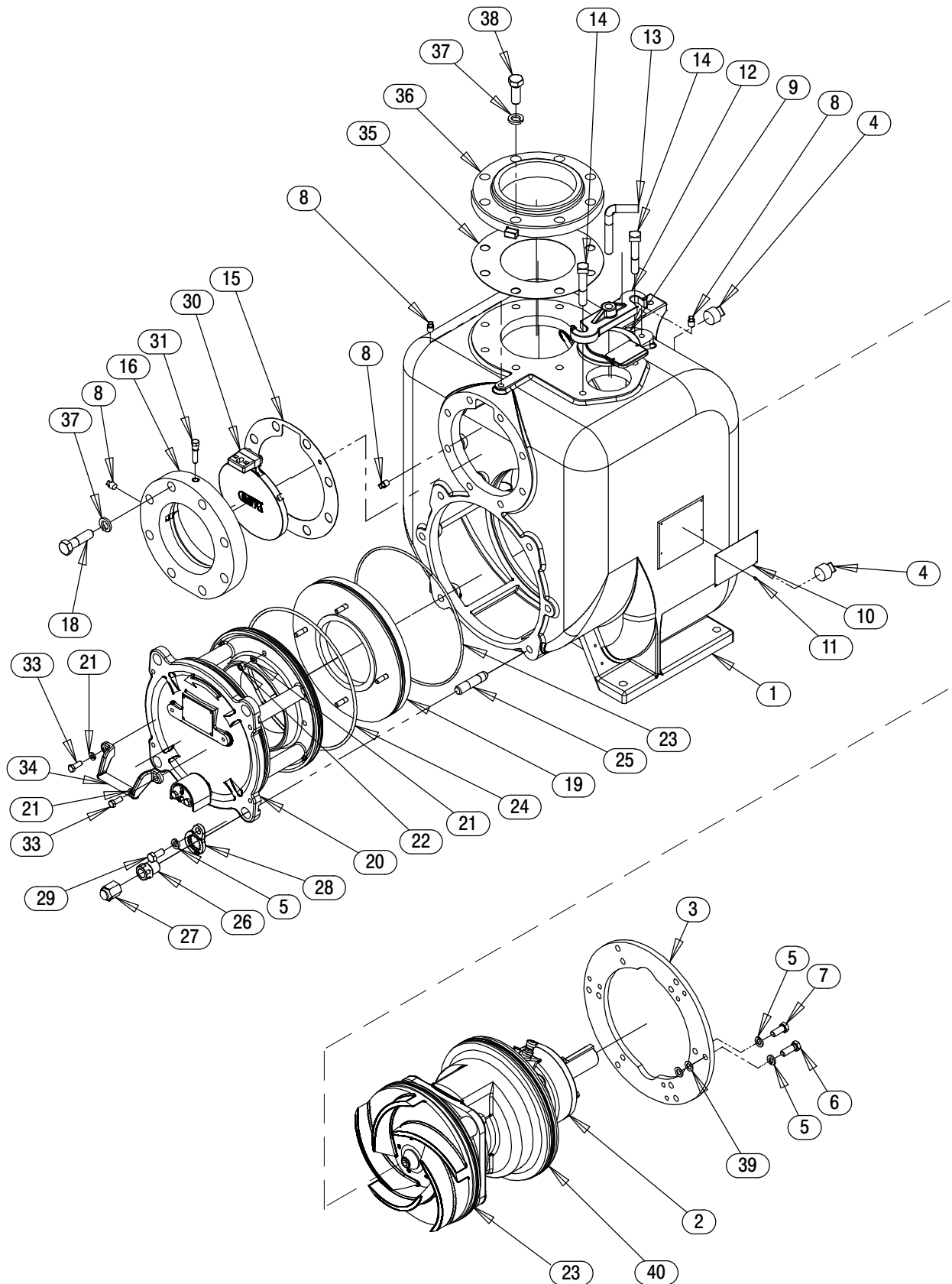


Figure 1. Pump Model U6B65S-B, Including /F

**PARTS LIST**  
**Pump Model U6B65S-B, Including /F**  
 (From S/N 1289655 Up)

If your pump serial number is followed by an "N", your pump is **NOT** a standard production model. Contact the Gorman-Rupp Company to verify part numbers.

ITEM NO.	PART NAME	PART NUMBER	QTY	ITEM NO.	PART NAME	PART NUMBER	QTY
☞ 1	PUMP CASING	SEE NOTE BELOW	1	33	HEX HEAD CAP SCREW	B0604 17090	2
2 *	REPAIR ROTATING ASSY	44163-417	1	34	HANDLE	12354 17040	1
3	PUMP CASING RING	31281-047 17040	1	35 *	GASKET	1679G 19410	1
☞ 4	PIPE PLUG	P16 17090	2	36	DISCHARGE FLANGE:		
5	LOCK WASHER	J08 17090	16		-U6B65S-B ONLY	1758 17070	1
6	HEX HEAD CAP SCREW	B0806 17090	6		-U6B65S-B /F ONLY	11402B 17180	1
7	HEX HEAD CAP SCREW	B0805 17090	6	37	LOCK WASHER	J12 17090	16
☞ 8	PIPE PLUG	P04 17090	4	38	HEX HEAD CAP SCREW	B1208 17090	8
9	FILL COVER PLATE ASSY	42111-385	1	39 *	ADJ SHIM	13131-3 17040	12
	-DRIVE SCREW	BM#04-03 17090	2	40 *	O-RING	25154-453	1
	-WARNING PLATE	38816-097 17090	1		NOT SHOWN:		
*	-COVER GASKET	50G 19210	1		LUBE DECAL	38817-084	1
10	NAMEPLATE BLANK	38819-002 17040	1		WARNING DECAL	2613FE	1
11	DRIVE SCREW	BM#04-03 17090	4		FILL TO PRIME STICKER	6588AH	1
12	CLAMP BAR	38111-004 17040	1		SUCTION STICKER	6588AG	1
13	SCREW-CLAMP BAR	31912-009 1704G	1		DISCHARGE STICKER	6588BJ	1
☞ 14	MACHINE BOLT	A1014 17090	2		G-R DECAL	GR-06	1
15 *	GASKET, SUCT. FLANGE	11402G 19410	1		INSTRUCTION TAG	38817-023	1
16	SUCTION FLANGE:				SUPER "U" DECAL	38812-094	1
	-U6B65S-B ONLY	11402 17180	1		ROTATION DECAL	2613M	1
	-U6B65S-B /F ONLY	11402A 17180	1		INSTRUCTION TAG	38817-011	1
18	HEX HEAD CAP SCREW	B1211 17090	8		OPTIONAL:		
19 *	WEAR PLATE ASSY	46451-734	1		DISASSEMBLY TOOL	48711-020	1
20	BACK COVER PLATE ASSY	42111-827	1		CHECK VALVE ASSYS:		
	-WARNING PLATE	2613EV 17090	1		NEO SOLID TYPE	46411-019	1
	-DRIVE SCREW	BM#04-03 17090	4	☞	VITON SOLID	46411-078	1
*	-PRESS RELIEF VALVE	46431-803	1	☞	VITON BLOW-OUT	46411-088	1
	-WARNING DECAL	38816-302	1		PRESS RELIEF VALVES:		
21	LOCK WASHER	J06 17090	6		SEWAGE TYPE	46431-803	1
22	HEX NUT	D06 17090	4		STAINLESS STEEL	46431-803	1
23 *	O-RING	25154-381	2		HI TEMP SHUT-DOWN KITS:		
24 *	O-RING	25154-454	1		-145°F	48313-186	1
☞ 25	STUD	C1213 1706G	4		-130°F	48313-256	1
26	ADJUSTING SCREW	31871-070 1704G	4		-120°F	48313-257	1
27	BACK COVER NUT	31871-073 17040	4		HIGH TEMP SHUT-DOWN:		
28	LOCK COLLAR	38115-551 17040	4		THERMOSTAT KIT 145°F	48313-172	1
29	HEX HEAD CAP SCREW	B0804-1/2 17090	4		AIR RELEASE VALVES:		
30 *	6" FLAP VALVE ASSY	46411-094	1		-10# COMP SPRING	GRP33-07A	1
31	CHECK VALVE PIN	11645 17090	1		-25# COMP SPRING	GRP33-07	1
					-80# COMP SPRING	GRP33-07B	1

\* INDICATES PARTS RECOMMENDED FOR STOCK

☞ INCLUDED WITH REPAIR 46471-705 1  
 PUMP CASING ASSY

☞ VITON® IS A REGISTERED TRADEMARK OF THE DUPONT CORP.

ILLUSTRATION

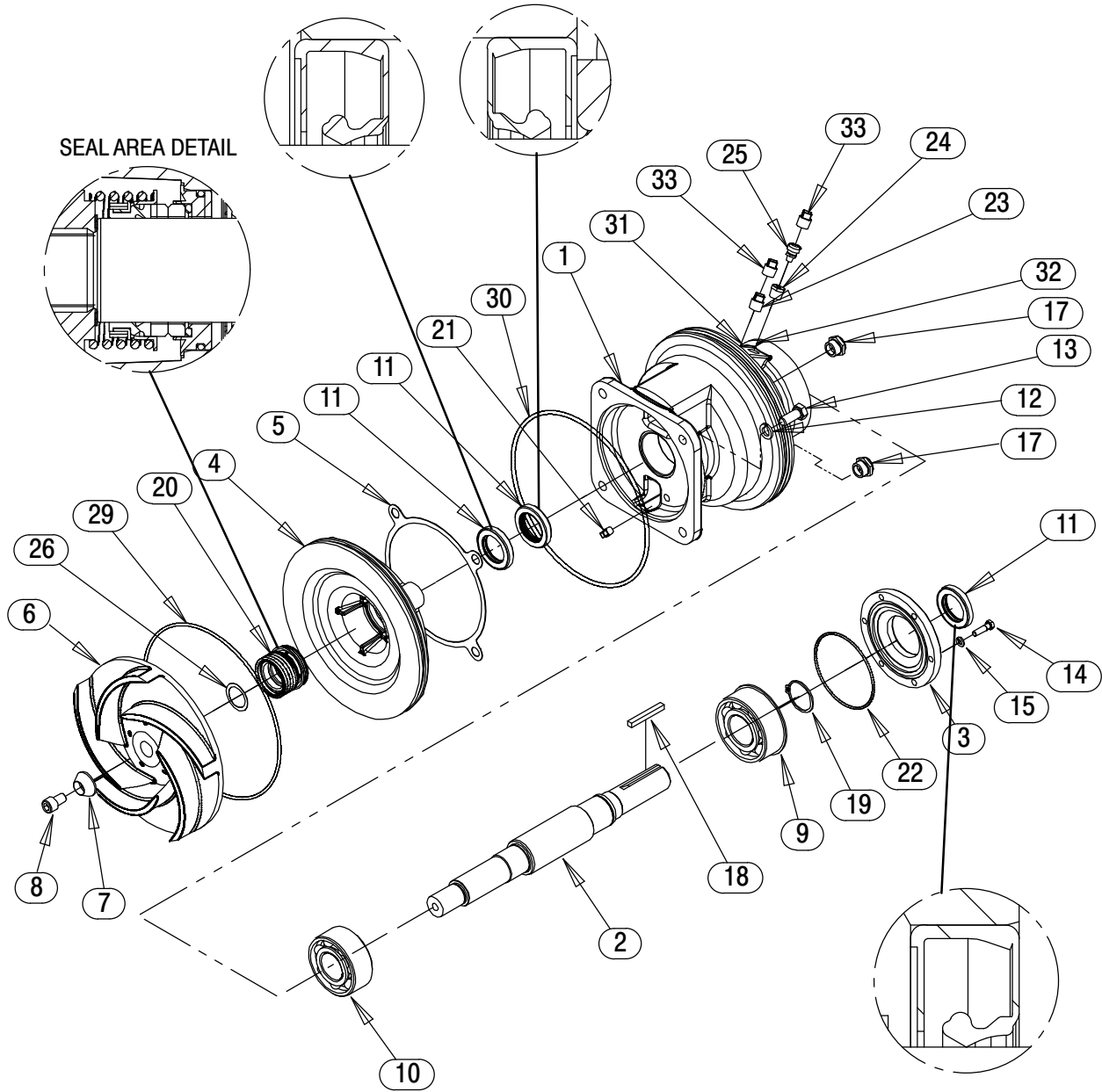


Figure 2. Repair Rotating Assembly

**PARTS LIST**  
**Repair Rotating Assembly**

ITEM NO.	PART NAME	PART NUMBER	QTY
1	BEARING HOUSING	38251-418 17180	1
2	* IMPELLER SHAFT	38515-591 1706H	1
3	BEARING CAP	38322-415 17040	1
4	SEAL PLATE	38272-408 1718H	1
5	* SEAL PLATE GASKET	12350G 19410	1
6	* IMPELLER	38618-016 1718H	1
7	* IMPELLER WASHER	10278 17090	1
8	* SOCKET HEAD CAP SCREW	DM1004S 17090	1
9	* DBL ROW BALL BEARING	23422-412	1
10	* DBL ROW BALL BEARING	23421-461	1
11	* OIL SEAL	S1917	3
12	LOCK WASHER	J10 17090	4
13	HEX HEAD CAP SCREW	B1006 17090	4
14	HEX HEAD CAP SCREW	B0605-1/2 17090	6
15	LOCK WASHER	J06 17090	6
16	PIPE PLUG	P12 17090	1
17	SIGHT GAUGE	26714-021	2
18	* KEY	N0612 17040	1
19	RETAINING RING	S215	1
20	* 1.88 DIA SEAL ASSEMBLY	46512-192	1
21	PIPE PLUG	P04 17090	3
22	* O-RING	25154-252	1
23	VENTED PIPE PLUG	4823A 17040	1
24	REDUCER PIPE BUSHING	AP0802 17040	1
25	VENT	26717-006	1
26	ADJ SHIM SET	5091 17090	REF
27	* O-RING	25154-227	REF
28	* O-RING	S1487	REF
29	* O-RING	25154-381	1
30	* O-RING	25154-453	1
31	ASSEMBLY PLATE	2613GG 17020	1
32	DRIVE SCREW	BM#04-03 17090	2
33	SHIP PLUG	11495B 15079	2
NOT SHOWN:			
	ADJ SHIM	13131-3 17040	12
	ROTATION DECAL	2613M	1
	INSTRUCTION TAG	6588U	1

\* INDICATES PARTS RECOMMENDED FOR STOCK