

ILLUSTRATION

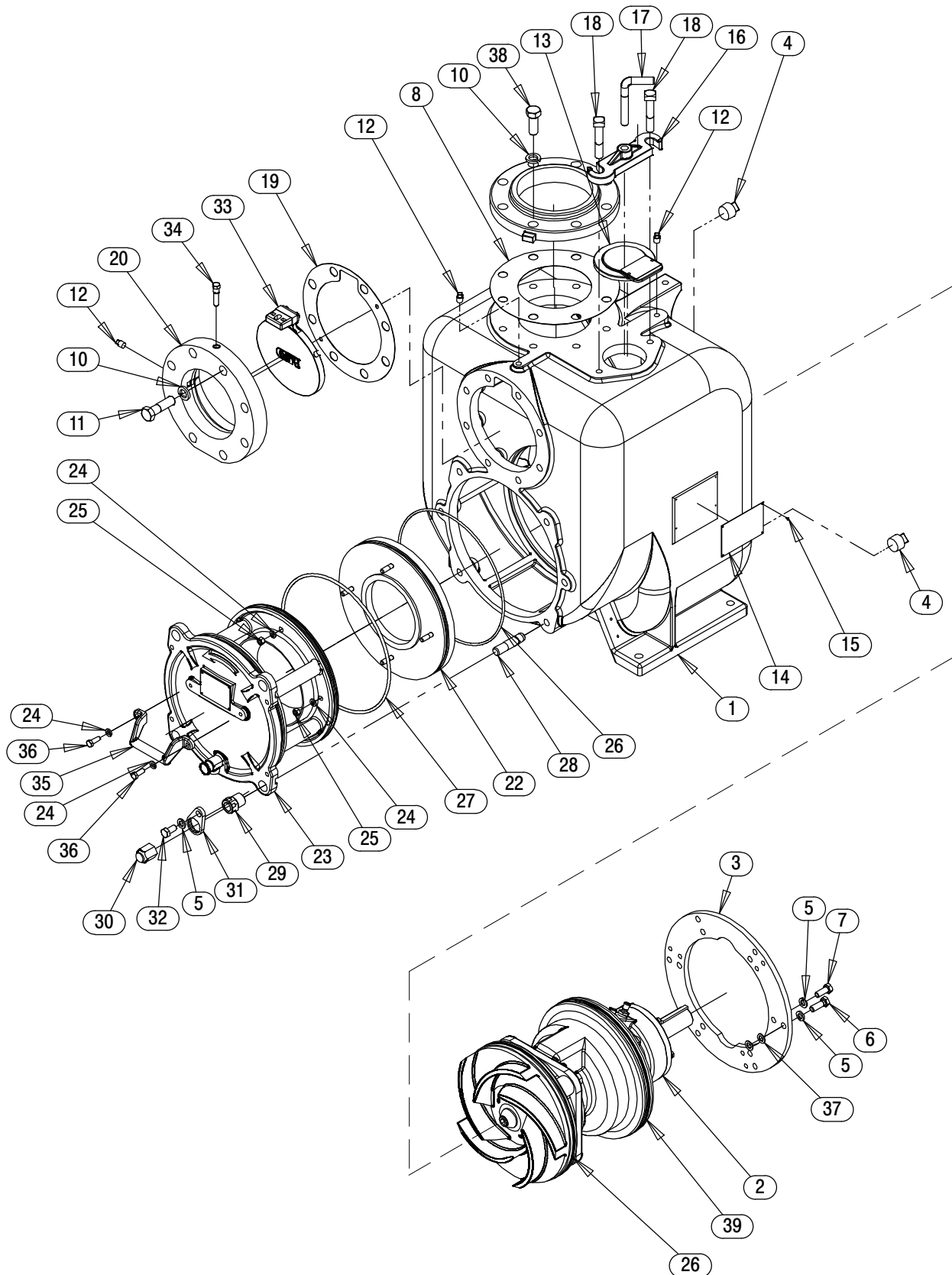


Figure 1. Pump Model U6B60S-B, Including /F, /FM And /WW

## PARTS LIST

### Pump Model U6B60S-B, Including /F, /FM And /WW

(From S/N 1289612 Up)

If your pump serial number is followed by an "N", your pump is **NOT** a standard production model. Contact the Gorman-Rupp Company to verify part numbers.

ITEM NO.	PART NAME	PART NUMBER	QTY	ITEM NO.	PART NAME	PART NUMBER	QTY
1	PUMP CASING	SEE NOTE BELOW	1	28	STUD	C1213 15991	4
2	REPAIR ROTATING ASSY:			29	ADJUSTING SCREW	31871-070 1500G	4
	-U6B60S-B /F, /FM	44163-413	1	30	BACK COVER NUT	31871-073 15000	4
	-U6B60S-B /WW	44163-414	1	31	LOCK COLLAR	38115-551 15001	4
3	PUMP RING	31281-047 15020	1	32	HEX HEAD CAP SCREW	B0804-1/2 15991	4
4	PIPE PLUG	P16 10009	2	33 *	6" FLAP VALVE ASSEMBLY	46411-064	1
5	LOCK WASHER	J08 15991	16	34	CHECK VALVE PIN	11645 17010	1
6	HEX HEAD CAP SCREW	B0806 15991	6	35	HANDLE	12354 13010	1
7	HEX HEAD CAP SCREW	B0805 15991	6	36	HEX HEAD CAP SCREW	B0604 15991	2
8 *	DISCHARGE FLANGE GASKET:			37 *	ADJ SHIM	13130-3 17040	12
	U6B60S-B, /F, /FM ONLY	1679G 19370	1	38	HEX HEAD CAP SCREW	B1208 15991	8
9	DISCHARGE FLANGE:			39	O-RING	25152-453	1
	-U6B60S-B ONLY	1758 10010	1	NOT SHOWN:			
	-U6B60S-B /F ONLY	11402B 10010	1		LUBE DECAL	38817-084	1
	-U6B60S-B /FM ONLY	38642-503 10000	1		WARNING DECAL	2613FE	1
10	LOCK WASHER	J12 15991	16		FILL TO PRIME STICKER	6588AH	1
11	HEX HEAD CAP SCREW:				SUCTION STICKER	6588AG	1
	-U6B60S-B ONLY	B1211 15991	8		DISCHARGE STICKER	6588BJ	1
	-/F, /FM/WW ONLY	B1208 15991	6		G-R DECAL	GR-06	1
	-/F, /FM/WW ONLY	B1210 15991	2		INSTRUCTION TAG	38817-023	1
12	PIPE PLUG	P04 15079	4		SUPER "U" DECAL	38812-094	1
13	COVER PLATE ASSY	42111-344	1		ROTATION DECAL	2613M	1
	-DRIVE SCREW	BM#04-03 17000	2		INSTRUCTION TAG	38817-011	1
	-WARNING PLATE	38816-097 13990	1	OPTIONAL:			
	* -COVER GASKET	50G 19210	1		DISASSEMBLY TOOL	48711-020	1
14	NAMEPLATE BLANK	38819-002 13000	1		CHECK VALVE ASSYS:		
15	DRIVE SCREW	BM#04-03 17000	4		-NEO SOLID TYPE	46411-019	1
16	CLAMP BAR	38111-004 11010	1	✓	-VITON SOLID	46411-078	1
17	SCREW-CLAMP BAR	31912-009 15000	1	✓	-VITON BLOW-OUT	46411-088	1
18	MACHINE BOLT	A1014 15991	2		PRESS RELIEF VALVES:		
19 *	GASKET, SUCT FLANGE	11402G 19370	1		-SEWAGE TYPE	46431-803	1
20	SUCTION FLANGE:				-STAINLESS STEEL	46431-803	1
	-U6B60S-B ONLY	11402 10010	1		CASING HEATERS:		
	-U6B60S-B /F, /WW	11402A 10010	1		-120V	47811-105	1
	-U6B60S-B /FM ONLY	38642-502 10000	1		-240V	47811-106	1
22 *	WEAR PLATE ASSY	46451-737	1		HI TEMP SHUT-DOWN KITS:		
23	COVER PLATE ASSY	42111-826	1		-145°F	48313-186	1
	* -PRESS RELIEF VALVE	26662-006	1		-130°F	48313-256	1
	-WARNING DECAL	38816-302	1		-120°F	48313-257	1
	-WARNING PLATE	2613EV 13990	1		HIGH TEMP SHUT-DOWN:		
	-DRIVE SCREW	BM#04-03 17000	4		THERMOSTAT KIT 145°F	48313-172	1
24	LOCK WASHER	J06 15991	6		AIR RELEASE VALVES:		
25	HEX NUT	D06 15991	4		-10# COMP SPRING	GRP33-07A	1
26 *	O-RING	25152-381	2		-25# COMP SPRING	GRP33-07	1
27 *	O-RING	S1676	1		-80# COMP SPRING	GRP33-07B	1

\* INDICATES PARTS RECOMMENDED FOR STOCK

☞ INCLUDED WITH REPAIR 46471-711 1  
PUMP CASING ASSY

✓ VITON® IS A REGISTERED TRADEMARK OF THE DUPONT CORP.

ILLUSTRATION

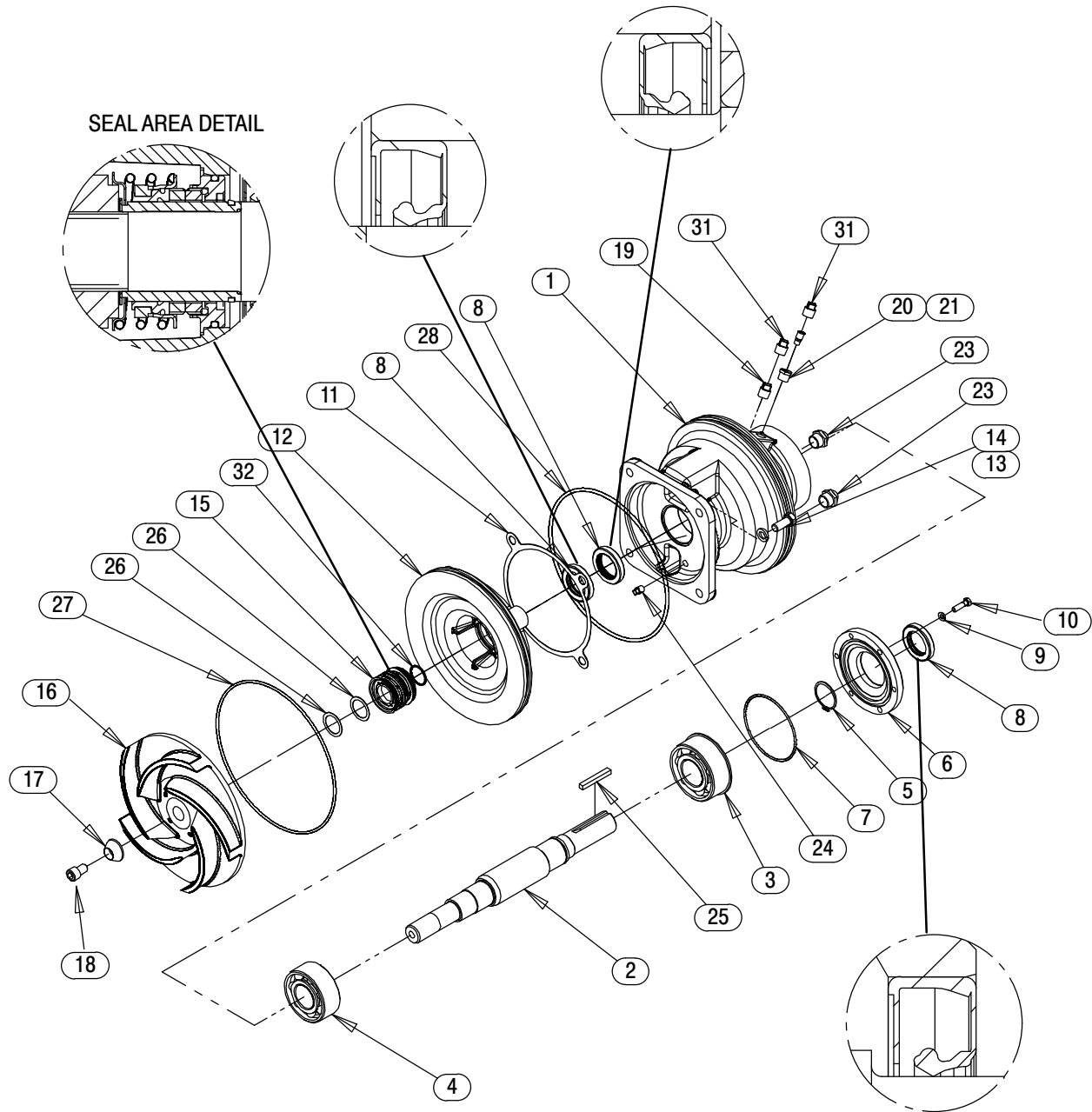


Figure 2. Repair Rotating Assemblies

**PARTS LIST**  
**Repair Rotating Assemblies**

ITEM NO.	PART NAME	PART NUMBER	QTY
1	BEARING HOUSING	38251-418 10000	1
2	IMPELLER SHAFT	38514-825 16040	1
3	* DBL ROW BALL BEARING	23422-412	1
4	* DBL ROW BALL BEARING	23421-461	1
5	RETAINING RING	S215	1
6	BEARING CAP	38322-415 10010	1
7	* O-RING	S333	1
8	* OIL SEAL	S1917	3
9	LOCK WASHER	J06 15991	6
10	HEX HEAD CAP SCREW	B0605-1/2 15991	6
11	* SEAL PLATE GASKET	12350G 20000	1
12	SEAL PLATE	38272-408 10010	1
13	LOCK WASHER	J10 15991	4
14	HEX HEAD CAP SCREW	B1006 15991	4
15	* 1 7/8 CTG SEAL ASSY	46513-154	1
16	* IMPELLER	38618-016 11010	1
17	* IMPELLER WASHER	10278 15030	1
18	* SOCKET HEAD CAP SCREW	DM1004S 15991	1
19	VENTED PIPE PLUG	4823A 15079	1
20	REDUCER PIPE BUSHING	AP0802 15079	1
21	AIR VENT	S1530	1
22	PIPE PLUG	P12 15079	1
23	SIGHT GAUGE	S1471	2
24	PIPE PLUG	P04 15079	3
25	* KEY	N0612 15990	1
26	* ADJ SHIM SET	5091 17090	REF
27	* O-RING	25152-381	1
28	* O-RING	25152-453	1
29	ASSEMBLY PLATE	2613GG 13990	1
30	DRIVE SCREW	BM#04-03 17000	2
31	SHIP PLUG	11495B 15079	2
32	* O-RING	25154-026	REF
NOT SHOWN:			
	ADJ SHIM	13130-3 17040	12
	ROTATION DECAL	2613M	1
	INSTRUCTION TAG	6588U	1

\* INDICATES PARTS RECOMMENDED FOR STOCK

† OPTIONAL MECHANICAL SEAL(S) MUST BE USED WITH 38515-591 1706H SST SHAFT.  
 ✓ KALREZ® IS A REGISTERED TRADEMARK OF THE DUPONT CORP.