

ILLUSTRATION

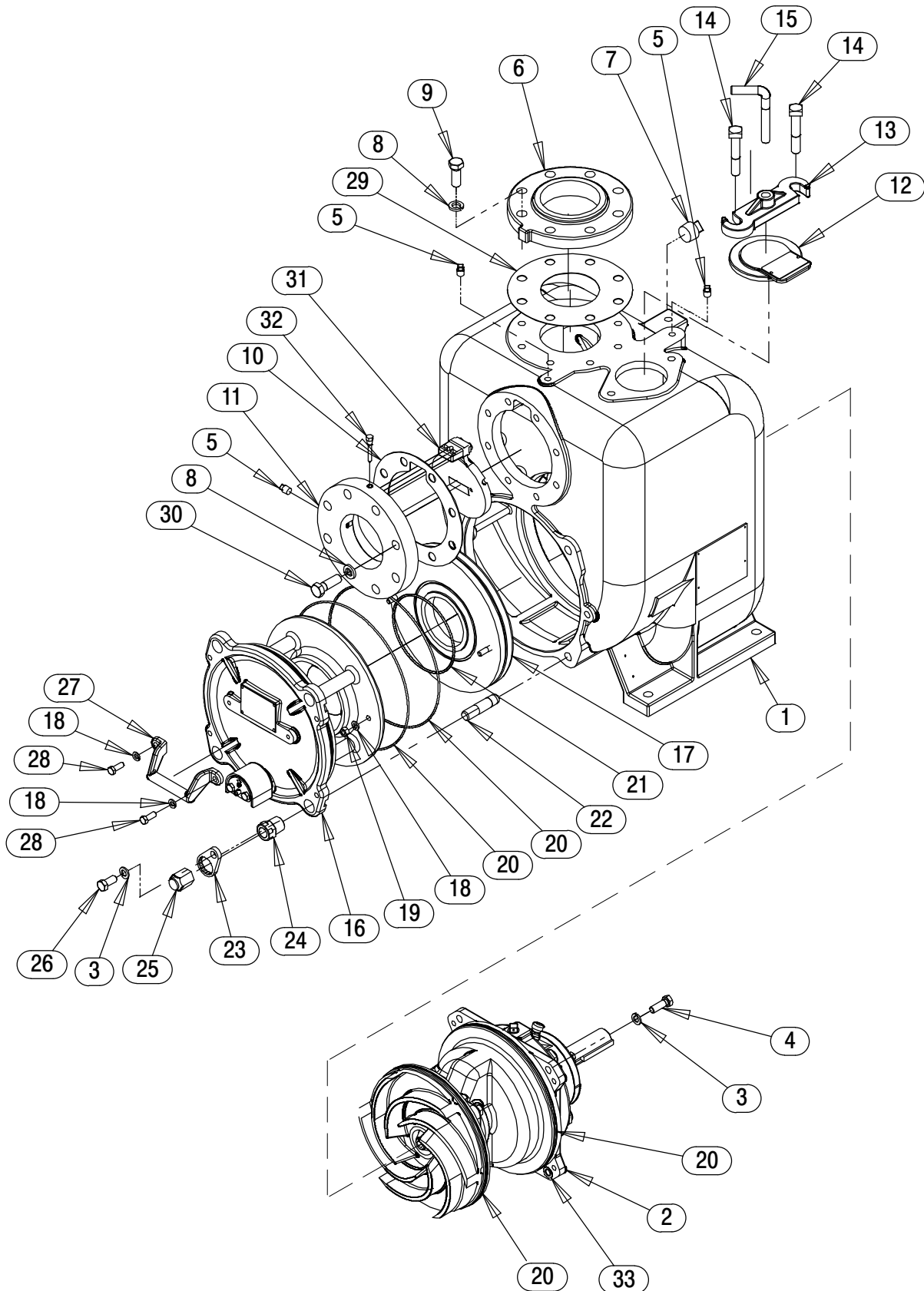


Figure 1. Pump Model U4B65S-B, Including /F

PARTS LIST
Pump Model U4B65S-B, Including /F
 (From S/N 1298951 Up)

If your pump serial number is followed by an "N", your pump is **NOT** a standard production model. Contact the Gorman-Rupp Company to verify part numbers.

ITEM NO.	PART NAME	PART NUMBER	QTY	ITEM NO.	PART NAME	PART NUMBER	QTY
☞ 1	PUMP CASING	SEE NOTE BELOW	1	27	HANDLE	12354 17040	1
2	REPAIR ROTATING ASSY	44163-425	1	28	HEX HEAD CAP SCREW	B0604 17090	2
3	LOCK WASHER	J08 17090	8	29 *	GASKET	1676G 19410	1
4	HEX HEAD CAP SCREW	B0806 17090	4	30	HEX HEAD CAP SCREW	B1008 17090	8
☞ 5	PIPE PLUG	P04 17090	4	31 *	4" FLAP VALVE ASSY	46411-095	1
6	4" NPT FLANGE	1756 17070	1	32	CHECK VALVE PIN	11557 17090	1
☞ 7	PIPE PLUG	P16 17090	2	33 *	ADJ SHIM	13130-3 17040	8
8	LOCK WASHER	J10 17090	16	NOT SHOWN:			
9	HEX HEAD CAP SCREW	B1007 17090	8		DRIVE SCREW	BM#04-03 17090	4
10 *	SUCT FLANGE GASKET	11389G 19410	1		NAMEPLATE BLANK	38819-002 17040	1
11	SUCTION FLANGE	11389 17180	1		SUPER "U" DECAL	38812-094	1
12	FILL COVER PLATE ASSY	42111-385	1		SUCTION STICKER	6588AG	1
	-DRIVE SCREW	BM#04-03 17090	2		PRIMING STICKER	6588AH	1
	-WARNING PLATE	38816-097 17090	1		DISCHARGE STICKER	6588BJ	1
	* -COVER GASKET	50G 19210	1		LUBE DECAL	38817-084	1
13	CLAMP BAR	38111-004 17040	1		G-R DECAL	GR-03	1
☞ 14	MACHINE BOLT	A1014 17090	2		INSTRUCTION TAG	38817-023	1
15	SCREW-CLAMP BAR	31912-009 1704G	1		WARNING DECAL	2613FE	1
16	BACK COVER PLATE ASSY	42111-829	1		ROTATION DECAL	2613M	1
	* -PRESS RELIEF VALVE	46431-803	1		INSTRUCTION DECAL	38817-011	1
	-WARNING PLATE	2613EV 17090	1	OPTIONAL:			
	-DRIVE SCREW	BM#04-03 17090	4		DISASSEMBLY TOOL	48711-020	1
	-WARNING DECAL	38816-302	1		/F FLANGE KIT	48213-047	1
17 *	WEAR PLATE ASSEMBLY	46451-757	1		-SUCTION	12066 17180	1
18	LOCK WASHER	J06 17090	4		-DISCHARGE	12066A 17180	1
19	HEX NUT	D06 17090	2		/FM METRIC FLANGES:		
20 *	O-RING	25154-276	4		-SUCTION	38642-210 17180	1
21 *	O-RING	25154-258	1		-DISCHARGE	38642-211 17180	1
☞ 22	STUD	C1213 1706G	4		HI TEMP SHUT-DOWN KITS:		
23	LOCK COLLAR	38115-551 17040	4		-145°F	48313-186	1
24	ADJUSTING SCREW	31871-070 1704G	4		-130°F	48313-256	1
25	BACK COVER NUT	31871-073 17040	4		-120°F	48313-257	1
26	HEX HEAD CAP SCREW	B0804-1/2 17090	4		HI TEMP SHUT-DOWN THERMOSTAT KIT:		
					-145°F	48313-172	1

* INDICATES PARTS RECOMMENDED FOR STOCK

☞ INCLUDED WITH REPAIR 46471-709 1
 PUMP CASING ASSY

ILLUSTRATION

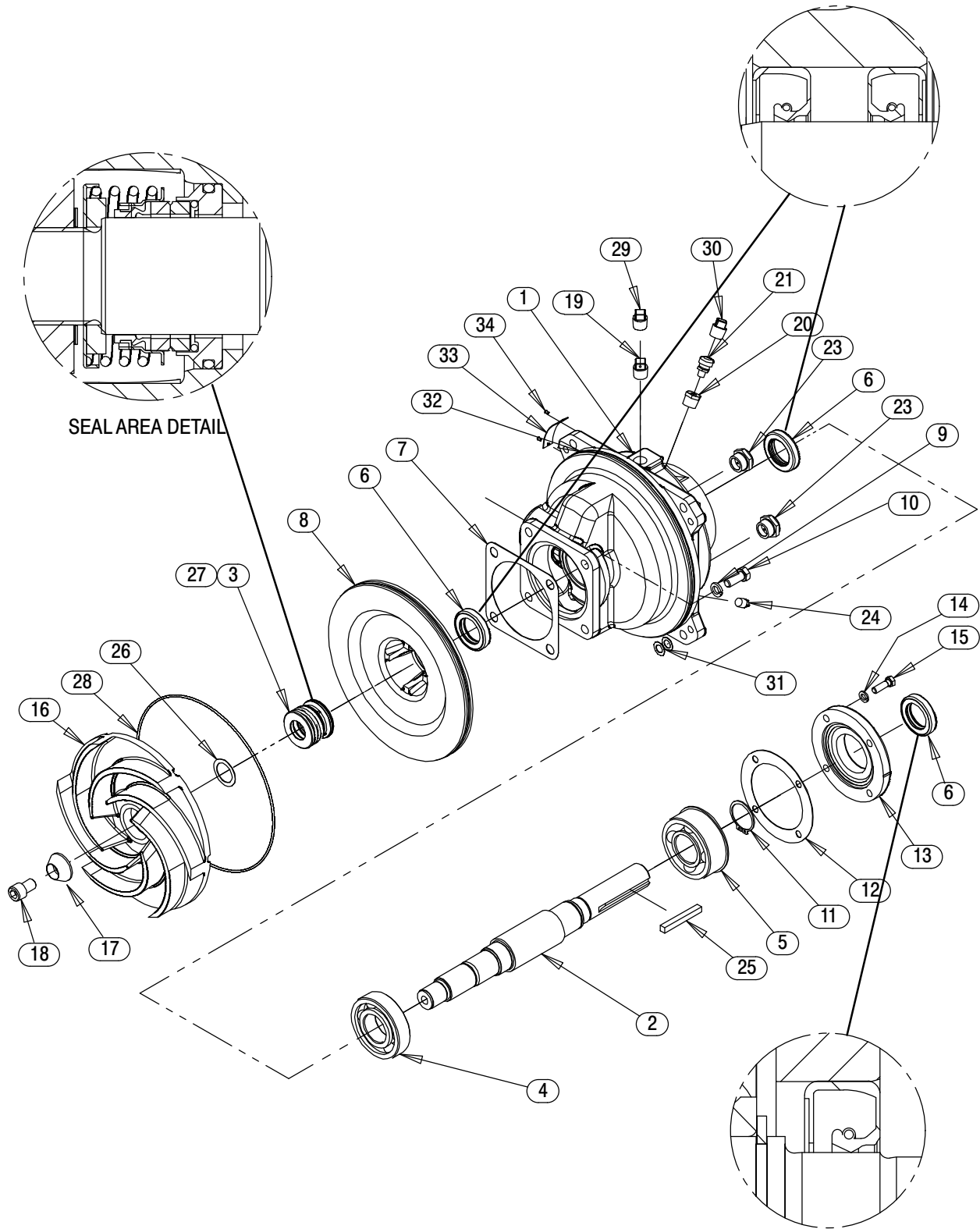


Figure 2. Repair Rotating Assembly

PARTS LIST
Repair Rotating Assembly

ITEM NO.	PART NAME	PART NUMBER	QTY	ITEM NO.	PART NAME	PART NUMBER	QTY
1	BEARING HOUSING	38251-520 17180	1	23	SIGHT GAUGE	26714-021	2
2 *	IMPELLER SHAFT	38514-819 1706H	1	24	PIPE PLUG	P04 17090	2
3 *	1.50" SEAL ASSEMBLY	46512-074	1	25 *	KEY	N0612 17040	1
4 *	BALL BEARING	S1088	1	26 *	ADJ SHIM	37J 17090	REF
5 *	BALL BEARING	S375	1	27	1.25 SEAL WASHER	38329-040 17130	1
6 *	OIL SEAL	S1352	3	28 *	O-RING	25152-276	1
7 *	GASKET	10959G 19410	1	29	SHIPPING PLUG	11495B 15079	1
8	SEAL PLATE	38272-233 1718H	1	30	SHIPPING PLUG	11495B 15079	1
9	LOCK WASHER	J08 17090	4	31	ADJ SHIM	13130-3 17040	8
10	HEX HEAD CAP SCREW	B0805 17090	4	32 *	O-RING	25152-276	1
11	RETAINING RING	S442	1	33	ASSEMBLY PLATE	2613GG 17020	1
12 *	BRG CAP GASKET	38683-271 19410	1	34	DRIVE SCREW	BM#04-03 17090	2
13	BEARING CAP	38322-220 17040	1	NOT SHOWN:			
14	LOCK WASHER	J06 17090	4		ROTATION DECAL	2613M	1
15	HEX HEAD CAP SCREW	B0605 17090	4		INSTRUCTION TAG	6588U	1
16 *	IMPELLER	38619-011 1718H	1	OPTIONAL:			
17 *	IMPELLER WASHER	10278 17090	1	† ★	AFLAS SEAL	46512-194	1
18	SCKT HEAD CAP SCREW	DM1004S 17090	1		SEAL PLATE	38272-244 1718H	1
19	VENTED PIPE PLUG	4823A 17040	1	†	-METAL BELLOWS MECH SEAL ASSY		
20	REDUCER PIPE BUSHING	AP0802 17040	1	✓	(VITON OR EQUAL)	46512-147	1
21	AIR VENT	26717-006	1	†	-METAL BELLOWS MECH SEAL ASSY		
22	PIPE PLUG	P12 17090	1	✓	(KALREZ)	46512-142	1

* INDICATES PARTS RECOMMENDED FOR STOCK

† OPTIONAL MECHANICAL SEAL(S) **MUST** BE USED WITH OPTIONAL SEAL PLATE.

✓ KALREZ® AND VITON™ ARE REGISTERED TRADEMARKS OF THE DUPONT CORP.

★ AFLAS® IS A REGISTERED TRADEMARK OF THE 3M CORP.