

ILLUSTRATION

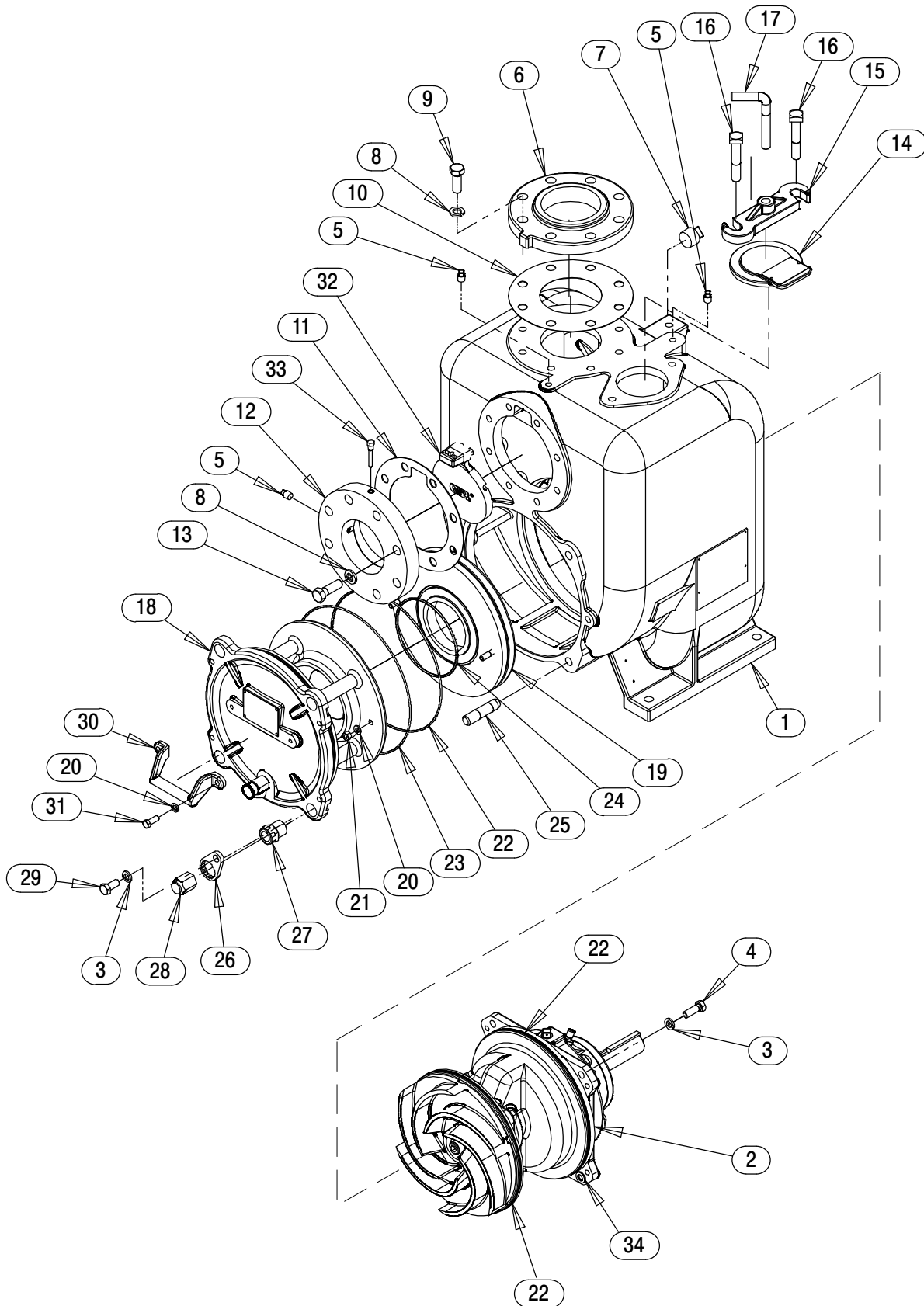


Figure 1. Pump Model U4B60S-B, Including /F, /FM, /WW

PARTS LIST
Pump Model U4B60S-B, Including /F, /FM, /WW
 (From S/N 1289525 Up)

If your pump serial number is followed by an "N", your pump is **NOT** a standard production model. Contact the Gorman-Rupp Company to verify part numbers.

ITEM NO.	PART NAME	PART NUMBER	QTY	ITEM NO.	PART NAME	PART NUMBER	QTY
☞ 1	PUMP CASING	SEE NOTE BELOW	1		NAMEPLATE BLANK	38819-002 13000	1
2	REPAIR ROTATING ASSY				SUPER "U" DECAL	38812-094	1
	-U4B60S-B, /F, /FM	44163-422	1		SUCTION STICKER	6588AG	1
	-U4B60S-B /WW	44163-423	1		FL HERE TO PRM STK	6588AH	1
3	LOCK WASHER	J08 15991	8		DISCHARGE STICKER	6588BJ	1
4	HEX HEAD CAP SCREW	B0806 15991	4		LUBE DECAL	38817-084	1
☞ 5	PIPE PLUG	P04 15079	4		G-R DECAL	GR-03	1
6	DISCHARGE FLANGE	1756 10010	1		INSTRUCTION TAG	38817-023	1
☞ 7	PIPE PLUG	P16 10009	2		WARNING DECAL	2613FE	1
8	LOCK WASHER	J10 15991	16		ROTATION DECAL	2613M	1
9	HEX HEAD CAP SCREW	B1007 15991	8		INSTRUCTION DECAL	38817-011	1
10 *	DISCHARGE FLG GASKET	25113-034	1		OPTIONAL:		
11 *	SUCT FLANGE GASKET	11389G 19370	1		DISASSEMBLY TOOL	48711-020	1
12	SUCTION FLANGE	11389 10010	1		/F FLANGES:		
13	HEX HEAD CAP SCREW				-SUCTION	12066 10010	1
	U4B60S-B	B1008 15991	8		-DISCHARGE	12066A 10010	1
	U4B60S-B /F, /FM, /WW	B1007 15991	6		/FM METRIC FLANGES:		
	U4B60S-B /F, /FM, /WW	B1008 15991	2		-SUCTION	38642-210 10000	1
14	FILL COVER PLATE ASSY	42111-344	1		-DISCHARGE	38642-211 10000	1
	-WARNING PLATE	38816-097 13990	1		CD4 SST WEAR PLATE	46451-757	1
	-DRIVE SCREW	BM#04-03 17000	2		CHECK VALVE ASSYS:		
	* -FILL COVER GASKET	50G 19210	1	☑	VITON	46411-095	1
15	CLAMP BAR	38111-004 11010	1		BUNA-N	46411-104	1
☞ 16	MACHINE BOLT	A1014 15991	2		-NEO SOLID TYPE	46411-020	1
17	SCREW-CLAMP BAR	31912-009 15000	1	☑	-VITON BLOW-OUT	46411-072	1
18	COVER PLATE ASSY	42111-828	1		-EPDM	46411-114	1
	-WARNING DECAL	38816-302	1		PRESS RELIEF VALVE:		
	* -PRESS RELIEF VALVE	26662-006	1		-SEWAGE TYPE	46431-628	1
	-DRIVE SCREW	BM#04-03 17000	4		-STAINLESS STEEL	46431-629	1
19 *	WEAR PLATE ASSEMBLY	46451-754	1		AIR RELEASE VALVES:		
20	LOCK WASHER	J06 15991	4		-10# COMP SPRING	GRP33-07A	1
21	HEX NUT	D06 15991	2		-25# COMP SPRING	GRP33-07	1
22 *	O-RING	25152-276	3		-80# COMP SPRING	GRP33-07B	1
23 *	O-RING	25152-277	1		CASING HEATERS:		
24 *	O-RING	25152-258	1		-120V	47811-072	1
☞ 25	STUD	C1213 15991	4		-240V	47811-073	1
26	LOCK COLLAR	38115-551 15001	4		HI TEMP SHUT-DOWN KITS:		
27	ADJUSTING SCREW	31871-070 1500G	4		-145°F	48313-186	1
28	BACK COVER NUT	31871-073 15000	4		-130°F	48313-256	1
29	HEX HEAD CAP SCREW	B0804-1/2 15991	4		-120°F	48313-257	1
30	HANDLE	12354 13010	1		HI TEMP SHUT-DOWN THERMOSTAT KIT:		
31	HEX HEAD CAP SCREW	B0604 15991	2		-145°F	48313-172	1
32 *	4" FLAP VALVE ASSY	46411-062	1		AIR RELEASE VALVES:		
33	CHECK VALVE PIN	11557 17010	1		-10# COMP SPRING	GRP33-07A	1
34 *	ADJ SHIM	13130-3 17040	8		-25# COMP SPRING	GRP33-07	1
	NOT SHOWN:				-80# COMP SPRING	GRP33-07B	1
	DRIVE SCREW	BM#04-03 17000	4		A/R VALVE MOUNT KIT	46331-515	1

* INDICATES PARTS RECOMMENDED FOR STOCK

☞ INCLUDED WITH REPAIR 46471-712 1
 PUMP CASING ASSY

☑ VITON® IS A REGISTERED TRADEMARK OF THE DUPONT CORP

ILLUSTRATION

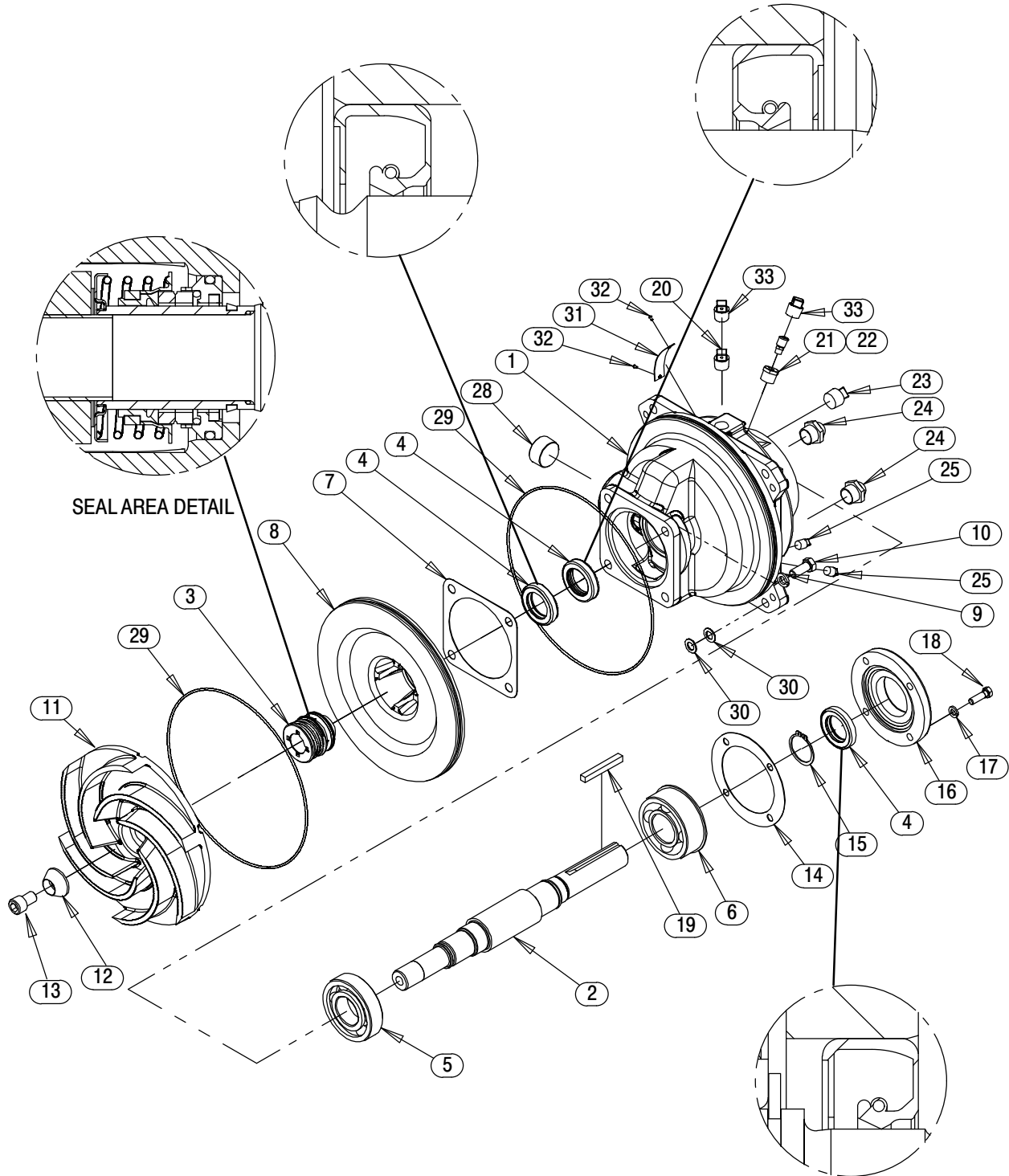


Figure 2. Repair Rotating Assemblies

PARTS LIST
Repair Rotating Assemblies

Note: Order complete Repair Rotating Assembly for /WW model from the Pump Model Assembly Parts List on page E—3. Repair Rotating Assembly for /WW models include all of the standard parts listed below.

ITEM NO.	PART NAME	PART NUMBER	QTY
1	BEARING HOUSING	38251—520 10000	1
2	* IMPELLER SHAFT	38514—817 16040	1
3	* SEAL ASSY	46513—151	1
4	* OIL SEAL	S1352	3
5	* BALL BEARING	S1088	1
6	* BALL BEARING	S375	1
7	* GASKET	10959G 20000	1
8	SEAL PLATE	38272—233 10010	1
9	LOCK WASHER	J08 15991	4
10	HEX HEAD CAP SCREW	B0805 15991	4
11	IMPELLER	38619—011 11000	1
12	IMPELLER WASHER	10278 15030	1
13	SOCKET HEAD CAP SCREW	DM1004S 15991	1
14	* GASKET	38683—271 18000	1
15	RETAINING RING	S442	1
16	BEARING CAP	38322—220 10000	1
17	LOCK WASHER	J06 15991	4
18	HEX HEAD CAP SCREW	B0605 15991	4
19	* KEY	N0612 15990	1
20	VENTED PIPE PLUG	4823A 15079	1
21	REDUCER PIPE BUSHING	AP0802 15079	1
22	AIR VENT	S1530	1
23	PIPE PLUG	P12 15079	1
24	SIGHT GAUGE	S1471	2
25	PIPE PLUG	P04 15079	2
26	* ADJ SHIM SET	37J 17090	1
27	* SHAFT SLEEVE O-RING	25154—022	REF
28	SOC HEAD PIPE PLUG	PC20 10009	1
29	* O-RING	25152—276	2
30	* ADJ SHIM	13130—3 17040	8
31	ASSEMBLY PLATE	2613GG 13990	1
32	DRIVE SCREW	BM#04—03 17000	2
33	SHIPPING PLUG	11495B 15079	2
NOT SHOWN:			
	ROTATION DECAL	2613M	1
	INSTRUCTION TAG	6588U	1
OPTIONAL:			
	CD4 SST IMPELLER	38619—011 1718H	1
	CD4 SST SEAL PLATE	38272—233 1718H	1
	17—4 SST IMPELLER SHAFT (LESS SLEEVE)	38514—819 1706H	1
	SEAL OPTIONS:		
	† PERMALON COATED SEAL	46512—150	1
	†/✓ METAL BELLOWS KALREZ SEAL ASSY	46512—142	1
	†/✓ METAL BELLOW FLUOROCARBON SEAL ASSY	46512—147	1
	CD4 SST SEAL PLATE FOR OPTIONAL SEALS	38272—244 1718H	1

* INDICATES PARTS RECOMMENDED FOR STOCK

† OPTIONAL MECHANICAL SEAL(S) MUST BE USED WITH SST SHAFT (LESS SLEEVE) AND 38272—244 1718H SEAL PLATE.

✓ KALREZ® AND VITON™ ARE REGISTERED TRADEMARKS OF THE DUPONT CORP.