

ILLUSTRATION

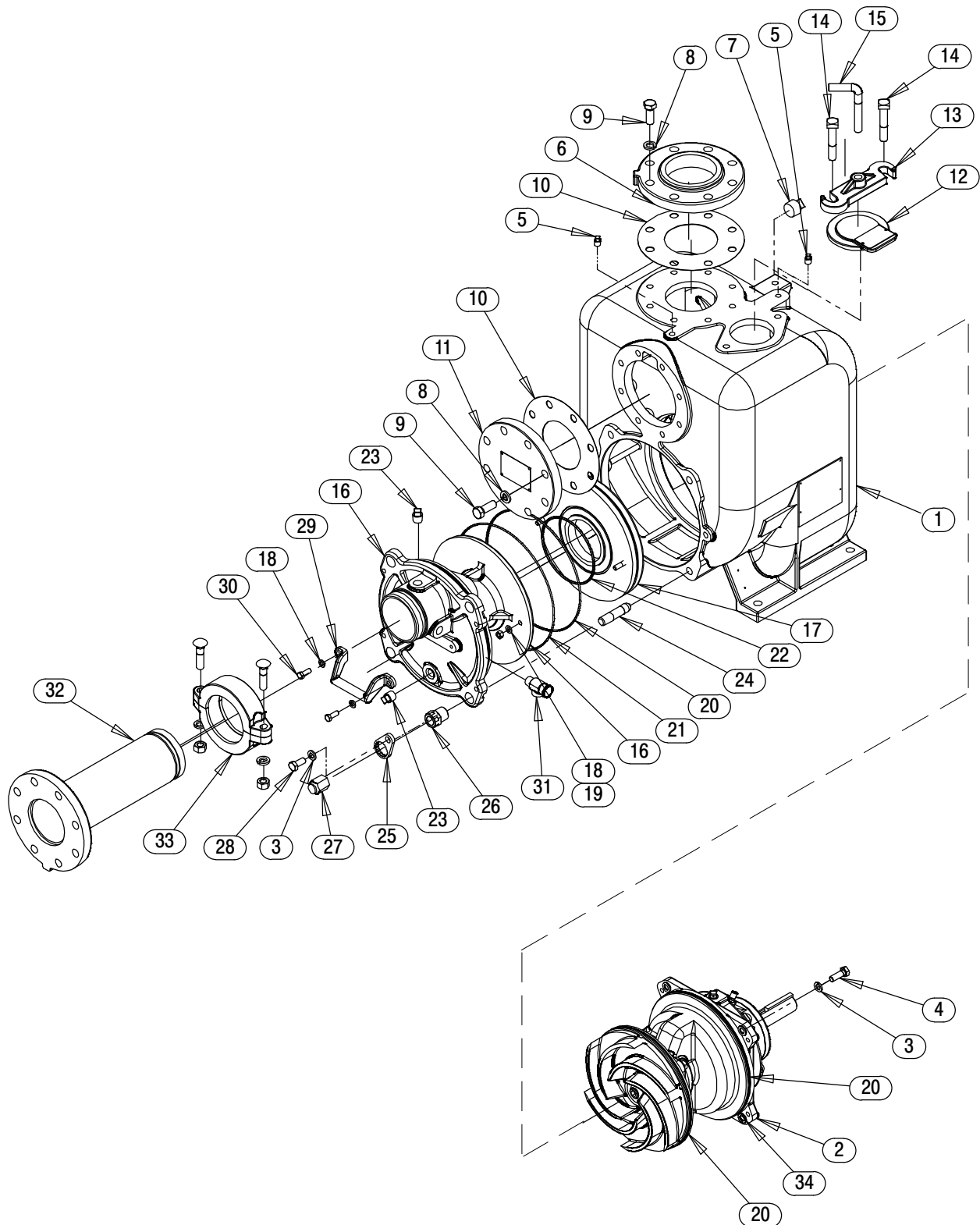


Figure 1. Pump Model U4A60S-B, Including /F, /FM

PARTS LIST
Pump Model U4A60S-B Including /F, /FM
 (From S/N 1289519 Up)

If your pump serial number is followed by an "N", your pump is **NOT** a standard production model. Contact the Gorman-Rupp Company to verify part numbers.

ITEM NO.	PART NAME	PART NUMBER	QTY	ITEM NO.	PART NAME	PART NUMBER	QTY
☞ 1	PUMP CASING	SEE NOTE BELOW	1	23	PIPE PLUG	P08 15079	2
2	REPAIR ROTATING ASSY	44163-422	1	☞24	STUD	C1213 15991	4
3	LOCK WASHER	J08 15991	8	25	LOCK COLLAR	38115-551 15001	4
4	HEX HEAD CAP SCREW	B0806 15991	4	26	ADJUSTING SCREW	31871-070 1500G	4
☞ 5	PIPE PLUG	P04 15079	2	27	BACK COVER NUT	31871-073 15000	4
6	4" NPT FLANGE	1756 10010	1	28	HEX HEAD CAP SCREW	B0804-1/2 15991	4
☞ 7	PIPE PLUG	P16 10009	1	29	HANDLE	12354 13010	1
8	LOCK WASHER	J10 15991	16	30	HEX HEAD CAP SCREW	B0604 15991	2
9	HEX HEAD CAP SCREW	B1007 15991	16	31 *	PRESSURE RELIEF VALVE	26662-006	1
10 *	GASKET	25113-034	2	32	4" EXT PIPE ASSY	46351-022	1
11	4" BLIND FLANGE ASSY	42111-358	1	33 >	VICTAULIC COUPLING 4"	S1433	1
12	COVER PLATE ASSY	42111-344	1	34 *	ADJ SHIM	13130-3 17040	8
	-COVER PLATE	38241-005 10010	1	NOT SHOWN:			
	-GASKET	50G 19210	1		DRIVE SCREW	BM#04-03 17000	4
	-WARNING PLATE	38816-097 13990	1		NAMEPLATE BLANK	38819-002 13000	1
	-DRIVE SCREW	BM#04-03 17000	2		WARNING DECAL	38816-302	1
13	CLAMP BAR	38111-004 11010	1		SUPER "U" DECAL	38812-094	1
☞14	MACHINE BOLT	A1014 15991	2		SUCTION STICKER	6588AG	1
15	SCREW-CLAMP BAR	31912-009 15000	1		FILL TO PRIME STICKER	6588AH	1
16	SUCTION BACK COVER	38243-477 10000	1		DISCHARGE STICKER	6588BJ	1
17 *	WEAR PLATE ASSY	46451-754	1		LUBE DECAL	38817-084	1
18	LOCK WASHER	J06 15991	4		G-R DECAL	GR-03	1
19	HEX NUT	D06 15991	2		INSTRUCTION TAG	38817-023	1
20 *	O-RING	25152-276	3		WARNING DECAL	2613FE	1
21 *	O-RING	25152-277	1		ROTATION DECAL	2613M	1
22 *	O-RING	25152-258	1		INSTRUCTION DECAL	38817-011	1

* INDICATES PARTS RECOMMENDED FOR STOCK

☞ INCLUDED WITH REPAIR 46471-715 1
 PUMP CASING ASSY

>VICTAULIC® IS A REGISTERED TRADEMARK OF VICTAULIC COMPANY OF AMERICA

ILLUSTRATION

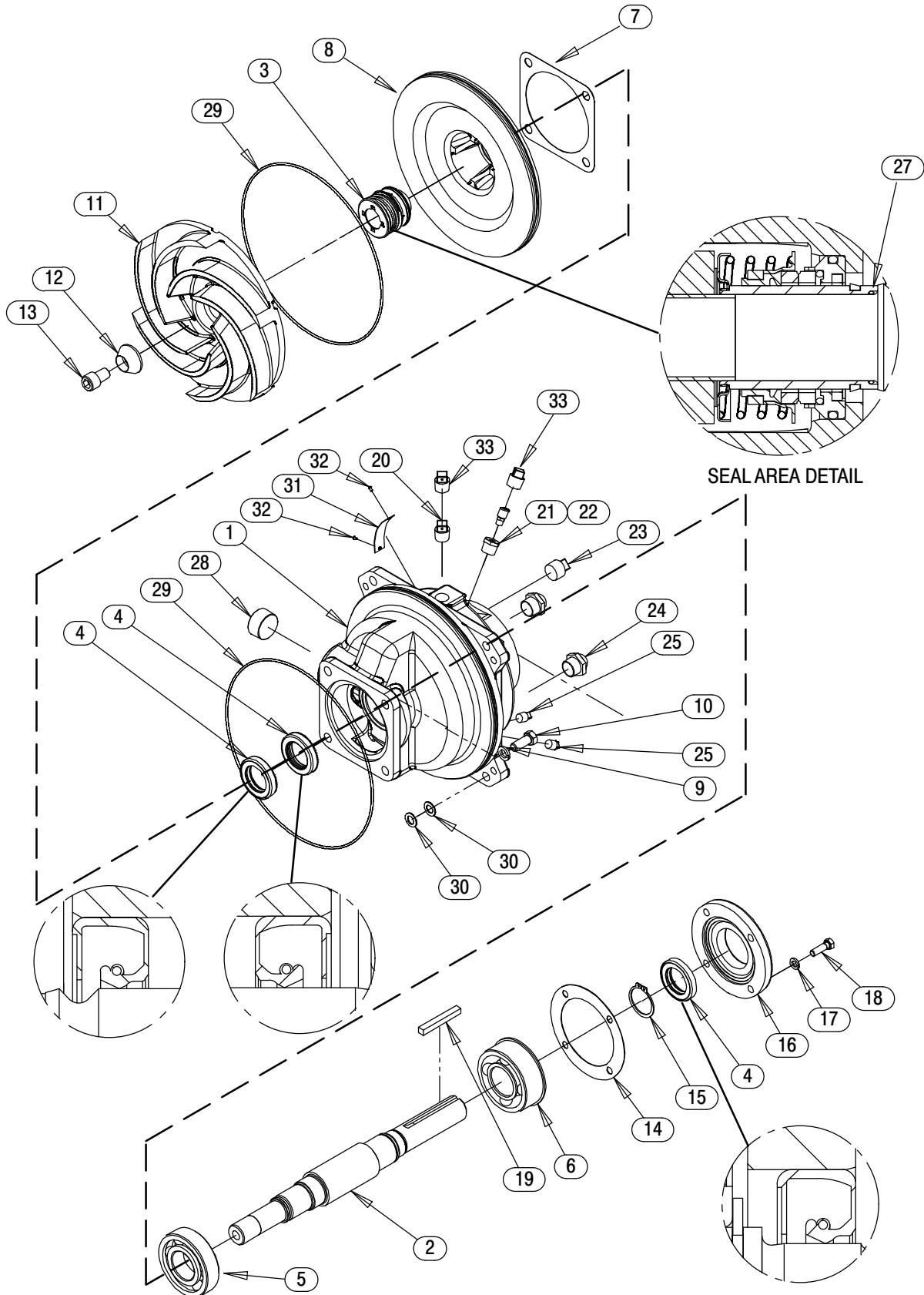


Figure 2. Rotating Assembly

PARTS LIST
Rotating Assembly

ITEM NO.	PART NAME	PART NUMBER	QTY
1	BEARING HOUSING	38251-520 10000	1
2	* IMPELLER SHAFT	38514-817 16040	1
3	* SEAL ASSY	46513-151	1
4	* OIL SEAL	S1352	3
5	* BALL BEARING	S1088	1
6	* BALL BEARING	S375	1
7	* GASKET	10959G 20000	1
8	* SEAL PLATE	38272-233 10010	1
9	LOCK WASHER	J08 15991	4
10	HEX HEAD CAP SCREW	B0805 15991	4
11	* IMPELLER	38619-011 11000	1
12	IMPELLER WASHER	10278 15030	1
13	SOCKET HEAD CAP SCREW	DM1004S 15991	1
14	* GASKET	38683-271 18000	1
15	RETAINING RING	S442	1
16	BEARING CAP	38322-220 10000	1
17	LOCK WASHER	J06 15991	4
18	HEX HEAD CAP SCREW	B0605 15991	4
19	* KEY	N0612 15990	1
20	VENTED PIPE PLUG	4823A 15079	1
21	REDUCER PIPE BUSHING	AP0802 15079	1
22	AIR VENT	S1530	1
23	PIPE PLUG	P12 15079	1
24	SIGHT GAUGE	S1471	2
25	PIPE PLUG	P04 15079	2
26	* ADJ SHIM SET	37J 17090	1
27	* O-RING	25154-022	REF
28	SOC HEAD PIPE PLUG	PC20 10009	1
29	* O-RING	25152-276	2
30	* ADJ SHIM	13130-3 17040	8
31	ASSEMBLY PLATE	2613GG 13990	1
32	DRIVE SCREW	BM#04-03 17000	2
33	SHIPPING PLUG	11495B 15079	2
NOT SHOWN:			
	ROTATION DECAL	2613M	1
	INSTRUCTION TAG	6588U	1
OPTIONAL:			
	CD4 SST IMPELLER	38619-011 1718H	1
	CD4 SST SEAL PLATE	38272-233 1718H	1
	17-4 SST IMPELLER SHAFT (LESS SLEEVE)	38514-819 1706H	1
	SEAL OPTIONS:		
	† PERMALON COATED SEAL	46512-150	1
	†/✓ METAL BELLOWS KALREZ SEAL ASSY	46512-142	1
	†/✓ METAL BELLOW FLUOROCARBON SEAL ASSY	46512-147	1
	CD4 SST SEAL PLATE FOR OPTIONAL SEALS	38272-244 1718H	1

* INDICATES PARTS RECOMMENDED FOR STOCK

† OPTIONAL MECHANICAL SEAL(S) MUST BE USED WITH SST SHAFT (LESS SLEEVE) AND 38272-244 1718H SEAL PLATE.
 ✓ KALREZ® AND VITON™ ARE REGISTERED TRADEMARKS OF THE DUPONT CORP.