

ILLUSTRATION

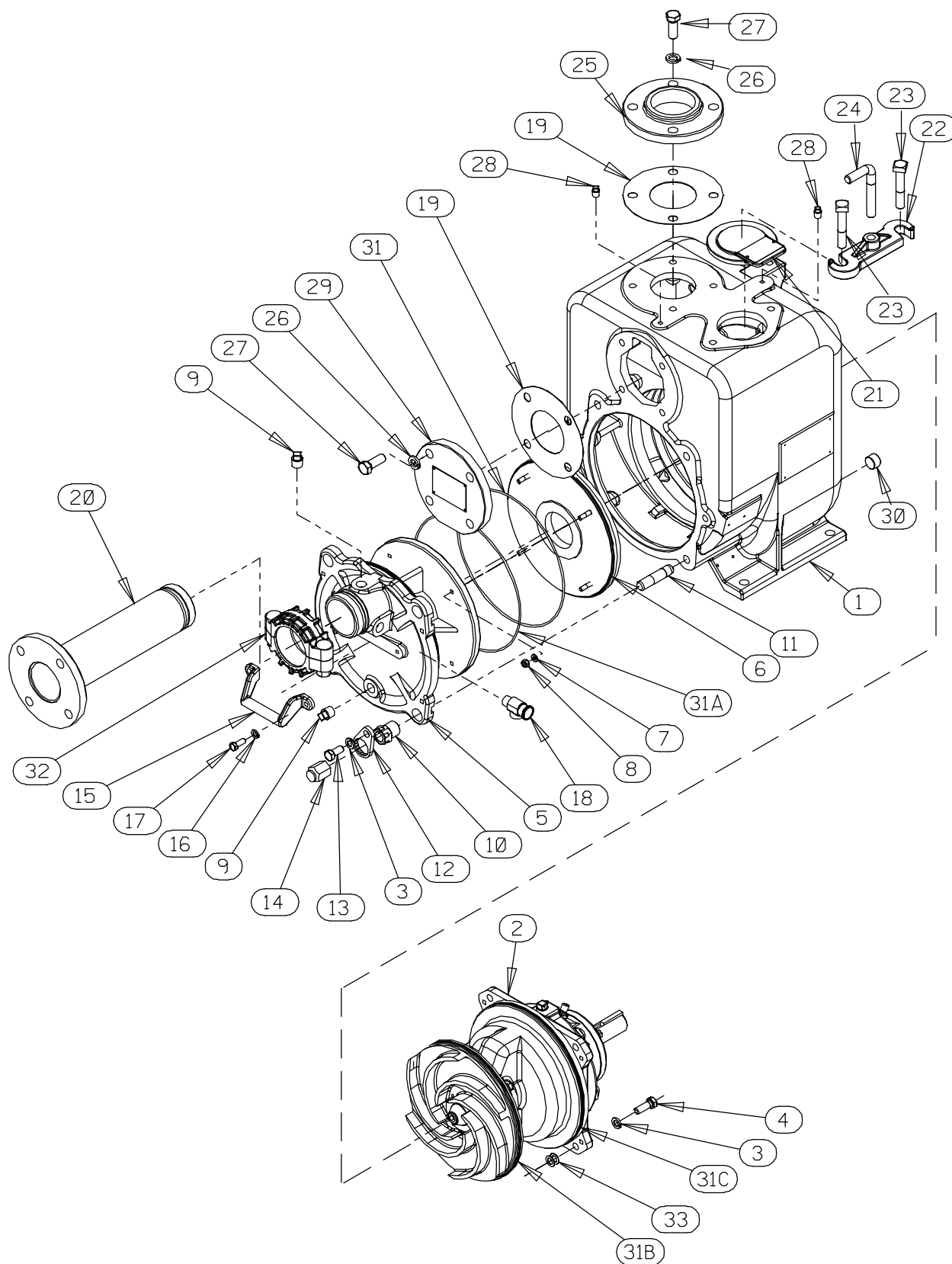


Figure 1. Pump Model U3A60S-B, Including /F

**PARTS LIST**  
**Pump Model U3A60S-B, Including /F**  
 (From S/N 1289513 Up)

If your pump serial number is followed by an "N", your pump is **NOT** a standard production model. Contact the Gorman-Rupp Company to verify part numbers.

ITEM NO.	PART NAME	PART NUMBER	QTY	ITEM NO.	PART NAME	PART NUMBER	QTY
☞ 1	PUMP CASING	SEE NOTE BELOW	1	31A *	COVER PLATE O-RING	25152-276	1
2	REPAIR ROTATING ASSY	44163-409	1	31B *	SEAL PLATE O-RING	25152-276	1
3	LOCK WASHER	J08 15991	8	31C *	BRGG HOUSING O-RING	25152-276	1
4	HEX HEAD CAP SCREW	B0806 15991	4	32 >	VICTAULIC COUPLING	25552-008	1
5	BACK COVER PLATE	38243-482 10000	1	33	ROT ASSY ADJ SHIM	13130-3 17040	8
6 *	WEAR PLATE ASSY	46451-735	1	NOT SHOWN:			
7	LOCK WASHER	J05 15991	4		ROTATION DECAL	2613M	1
8	HEX NUT	D05 15991	4		NAMEPLATE	38818-026 13990	1
9	PIPE PLUG	P08 15079	2		DRIVE SCREW	BM#04-03 17000	4
10	ADJUSTING SCREW	31871-070 1500G	4		LUBE DECAL	38817-084	1
☞11	STUD	C1213 15991	4		SUCTION STICKER	6588AG	1
12	LOCK COLLAR	38115-551 15001	4		PRIMING STICKER	6588AH	1
13	HEX HEAD CAP SCREW	B0804-1/2 15991	4		DISCHARGE STICKER	6588BJ	1
14	BACK COVER NUT	31871-073 15000	4		G-R DECAL	GR-03	1
15	COVER PLATE HANDLE	12354 13010	1		INSTRUCTION TAG	38817-023	1
16	LOCK WASHER	J06 15991	2		SUPER "U" DECAL	38812-094	1
17	HEX HEAD CAP SCREW	B0604 15991	2		WARNING DECAL	2613FE	1
18 *	PRESSURE RELIEF VALVE	26662-006	1		WARNING DECAL	38816-302	1
19	GASKET	25113-033	2		INSTRUCTION TAG	38817-011	1
20	3" EXTENSION PIPE ASSY	46351-023	1	OPTIONAL:			
21	FILL COVER PLATE ASSY	42111-344	1		DISASSEMBLY TOOL	48711-020	1
	-WARNING PLATE	38816-097 13990	1		/F DISCH FLANGE	10845 10010	1
	-DRIVE SCREW	BM#04-03 17000	2		/FM METRIC SUCT PIPE	46351-034	1
	* -FILL COVER GASKET	50G 19210	1		/FM METRIC DISCH FLG	38642-209 10000	2
22	CLAMP BAR	38111-004 11010	1	AIR RELEASE VALVES:			
☞23	MACHINE BOLT	A1014 15991	2		-10# COMP SPRING	GRP33-07A	1
24	CLAMP BAR SCREW	31912-009 15000	1		-25# COMP SPRING	GRP33-07	1
25	COMPANION FLANGE	1753A 10010	1		-80# COMP SPRING	GRP33-07B	1
26	LOCK WASHER	J10 15991	8	A/R VALVE MOUNT KIT			
27	HEX HEAD CAP SCREW	B1007 15991	8		46331-515		1
☞28	PIPE PLUG	P04 15079	2	CASING HEATERS:			
29	3" BLIND FLANGE	38641-034 10010	1		-120V	47811-066	1
32	-DRIVE SCREW	BM#04-03 17000	4		-240V	47811-067	1
33	-WARNING PLATE	2613EV 13990	1				
☞30	CASING DRAIN PLUG	25321-145	2				
31 *	WEAR PLATE O-RING	25152-276	1				

\* INDICATES PARTS RECOMMENDED FOR STOCK

☞ INCLUDED WITH REPAIR 46471-713 1  
 PUMP CASING ASSY

> VICTAULIC® IS A REGISTERED TRADEMARK OF VICTAULIC COMPANY OF AMERICA

ILLUSTRATION

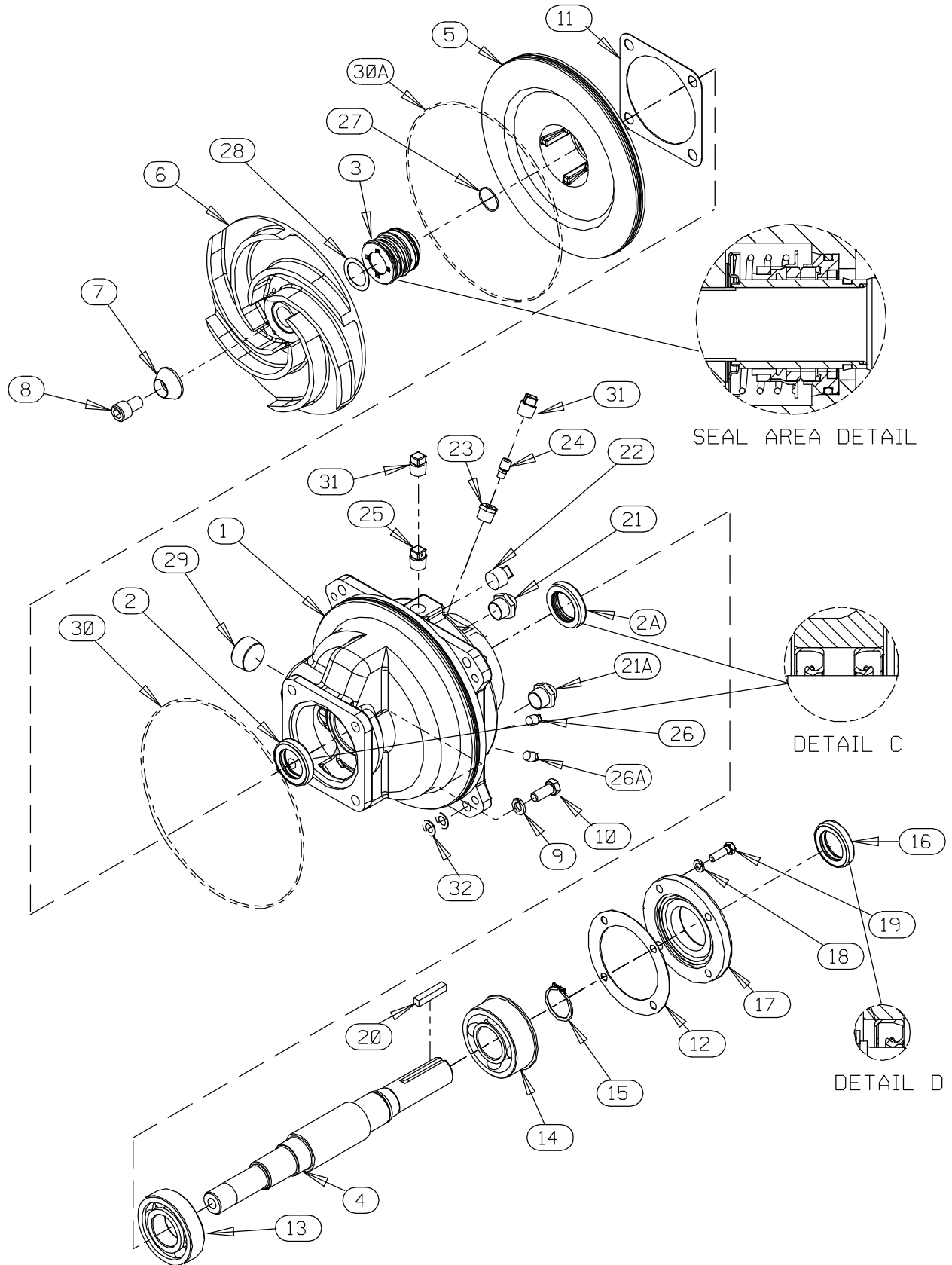


Figure 2. Repair Rotating Assembly

## PARTS LIST

### Repair Rotating Assembly

ITEM NO.	PART NAME	PART NUMBER	QTY
1	BEARING HOUSING	38251-520 10000	1
2	* OIL SEAL	S1352	1
2A	* OIL SEAL	S1352	1
3	* CART SEAL ASSY	46513-151	1
4	* IMPELLER SHAFT	38514-571 16040	1
5	SEAL PLATE	38272-235 10010	1
6	* IMPELLER	38619-015 11000	1
7	IMPELLER WASHER	10278 15030	1
8	SOCKET HEAD CAP SCREW	DM1004S 15991	1
9	LOCK WASHER	J08 15991	4
10	HEX HEAD CAP SCREW	B0805 15991	4
11	* GASKET	10959G 20000	1
12	* GASKET	38683-271 18000	1
13	* BALL BEARING	S1088	1
14	* DBL ROW BALL BEARING	S375	1
15	RETAINING RING	S442	1
16	* OIL SEAL	S1352	1
17	BEARING CAP	38322-220 10000	1
18	LOCK WASHER	J06 15991	4
19	HEX HEAD CAP SCREW	B0605 15991	4
20	* SHAFT KEY	N0608 15990	1
21	SEAL CAVITY SIGHT GAUGE	S1471	1
21A	BRG CAVITY SIGHT GAUGE	S1471	1
22	PIPE PLUG	P12 15079	1
23	RED PIPE BUSHING	AP0802 15079	1
24	AIR VENT	S1530	1
25	VENTED PIPE PLUG	4823A 15079	1
26	SEAL CAVITY DRAIN PLUG	P04 15079	1
26A	BRG CAVITY DRAIN PLUG	P04 15079	1
27	O-RING	25154-022	REF
28	IMP ADJ SHIM SET	37J 17090	REF
29	SOC HD PIPE PLUG	PC20 10009	1
30	* O-RING	25152-276	1
30A	* O-RING	25152-276	1
31	SHIPPING PLUG	11495B 15079	2
32	ROT ASSY ADJ SHIM	13130-3 17040	8
NOT SHOWN:			
	S/N PLATE	2613GG 13990	1
	DRIVE SCREW	BM#04-03 17000	2
	ROTATION DECAL	2613M	1
	INSRUCTION TAG	6588U	1
OPTIONAL:			
	CD4 SST IMPELLER	38619-015 1718H	1
	CD4 SST SEAL PLATE	38272-235 1718H	1
	17-4 SST IMPELLER SHAFT (LESS SLEEVE)	38514-572 1706H	1
	† PERMALON COATED SEAL	46512-150	1
	†/✓ METAL BELLOWS KALREZ SEAL ASSY	46512-142	1
	†/✓ METAL BELLOW FLUOROCARB SEAL ASSY	46512-147	1

\* INDICATES PARTS RECOMMENDED FOR STOCK

† OPTIONAL MECHANICAL SEAL(S) MUST BE USED WITH SST SHAFT (LESS SLEEVE).

✓ KALREZ® AND VITON™ ARE REGISTERED TRADEMARKS OF THE DUPONT CORP.