

ILLUSTRATION

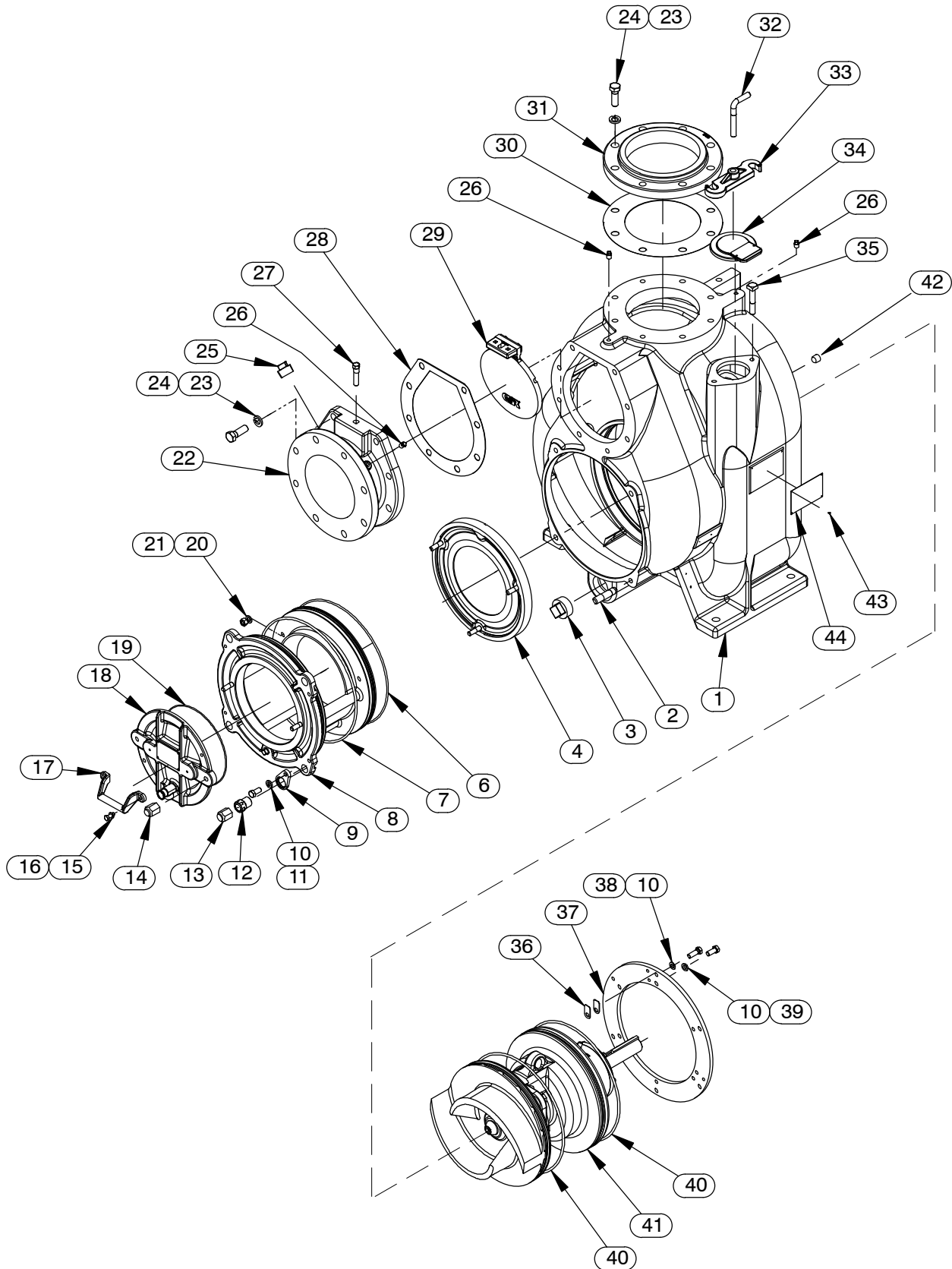


Figure 1. Pump Model T8A71S-B, including /F, /FM

**PARTS LIST**  
**Pump Model T8A71S-B, including /F, /FM**  
 (From S/N 1716886 Up)

If your pump serial number is followed by an "N", your pump is **NOT** a standard production model. Contact the Gorman-Rupp Company to verify part numbers.

ITEM NO.	PART NAME	PART NUMBER	QTY	ITEM NO.	PART NAME	PART NUMBER	QTY
1	REPAIR PUMP CASING	SEE NOTE BELOW	1		-DRIVE SCREW	BM#04-03 17000	2
2	STUD	C1213 15991	4		-COVER GASKET	50G 19210	1
3	PIPE PLUG	P32 10009	1	35	MACHINE BOLT	A1014 15991	2
4 *	WEAR PLATE ASSY	46451-788	1	36	ADJ SHIM	33221-018 17040	12
6 *	O-RING	25152-384	1	37	VOLUTE RING	31281-016 15990	1
7 *	O-RING	S1915	1	38	HEX HEAD CAP SCREW	B0806 15991	6
8	BACK COVER ASSY	42111-837	1	39	HEX HEAD CAP SCREW	B0805 15991	6
9	LOCK COLLAR	38115-551 15001	4	40 *	O-RING	S1914	2
10	LOCK WASHER	J08 15991	16	41	REPAIR ROTATING ASSY	44163-333	1
11	HEX HEAD CAP SCREW	B0804-1/2 15991	4	42	PIPE PLUG	P08 15079	1
12	ADJUSTING SCREW	31871-070 1500G	4	43	DRIVE SCREW	BM#04-03 17000	4
13	BACK COVER NUT	31871-073 15000	4	44	NAMEPLATE BLANK	38819-002 13000	1
14	BACK COVER NUT	31871-075 15000	2	NOT SHOWN:			
15	LOCK WASHER	J06 15991	2		LUBRICATION DECAL	38817-084	1
16	HEX HEAD CAP SCREW	B0604 15991	2		FILL TO PRIME STICKER	6588AH	1
17	HANDLE	12354 13010	1		G-R DECAL 6 IN	GR-06	1
18	INSPECT COVER ASSY	42111-452	1		SUPER "T" DECAL	38812-089	1
	* -PRESSURE RELIEF VLV	26662-005	1		WARNING DECAL	2613FE	1
	-DRIVE SCREW	BM#04-03 17000	4		INSTRUCTION TAG	38817-023	1
	-WARNING PLATE	2613EV 13990	1		INSTRUCTION TAG	38817-011	1
19 *	O-RING	25152-273	1		DISCHARGE STICKER	6588BJ	1
20	LOCK WASHER	J08 17090	3		SUCTION STICKER	6588AG	1
21	HEX NUT	D08 17090	3		ROTATION DECAL	2613M	1
22	SUCTION FLANGE:			OPTIONAL:			
	-T8A71S-B, & /F	12356 10010	1		DISASSEMBLY TOOL	12858 24000	1
	-T8A71S-B /FM	38642-611 10000	1		CASING HEATERS:		
23	LOCK WASHER	J12 15991	16		-120V	47811-096	1
24	HEX HEAD CAP SCREW	B1209 15991	16		-240V	47811-097	1
25	PIPE PLUG	P20 10009	1		ADI WEAR PLATE	12348A 1102H	1
26	PIPE PLUG	P04 15079	3		/F DISCHARGE FLANGE	12799 10010	1
27	CHECK VALVE PIN	12357 17010	1		/FM METRIC FLANGES:		
28 *	GASKET	12356G 19370	1		-SUCTION	38642-611 10000	1
29 *	8" FLAP VALVE ASSY	46411-066	1		-DISCHARGE	38642-612 10000	1
30 *	GASKET	25113-038	1		CHECK VALVE ASSYS:		
31	DISCHARGE FLANGE:				-NEO SOLID TYPE	46411-018	1
	-T8A71S-B	1759 10010	1	✓	-VITON BLOW-OUT	46411-090	1
	-T8A71S-B /F	12799 10010	1		PRESS RELIEF VALVES:		
	-T8A71S-B /FM	38642-612 10000	1		-SEWAGE TYPE	46431-803	1
32	SCREW-CLAMP BAR	31912-009 15000	1		AIR RELEASE VALVES:		
33	CLAMP BAR	38111-004 11010	1		-10# COMP SPRING	GRP33-07A	1
34	COVER PLATE ASSY	42111-344	1		-25# COMP SPRING	GRP33-07	1
	-WARNING PLATE	38816-097 13990	1		-80# COMP SPRING	GRP33-07B	1

\* INDICATES PARTS RECOMMENDED FOR STOCK

INCLUDED WITH REPAIR PUMP CASING ASSY 46472-714 1

VITON® IS A REGISTERED TRADEMARK OF THE DUPONT CORP.

COMPLETE GASKET/O-RING AND SHAFT REPAIR KITS AVAILABLE - CONSULT FACTORY.

ILLUSTRATION

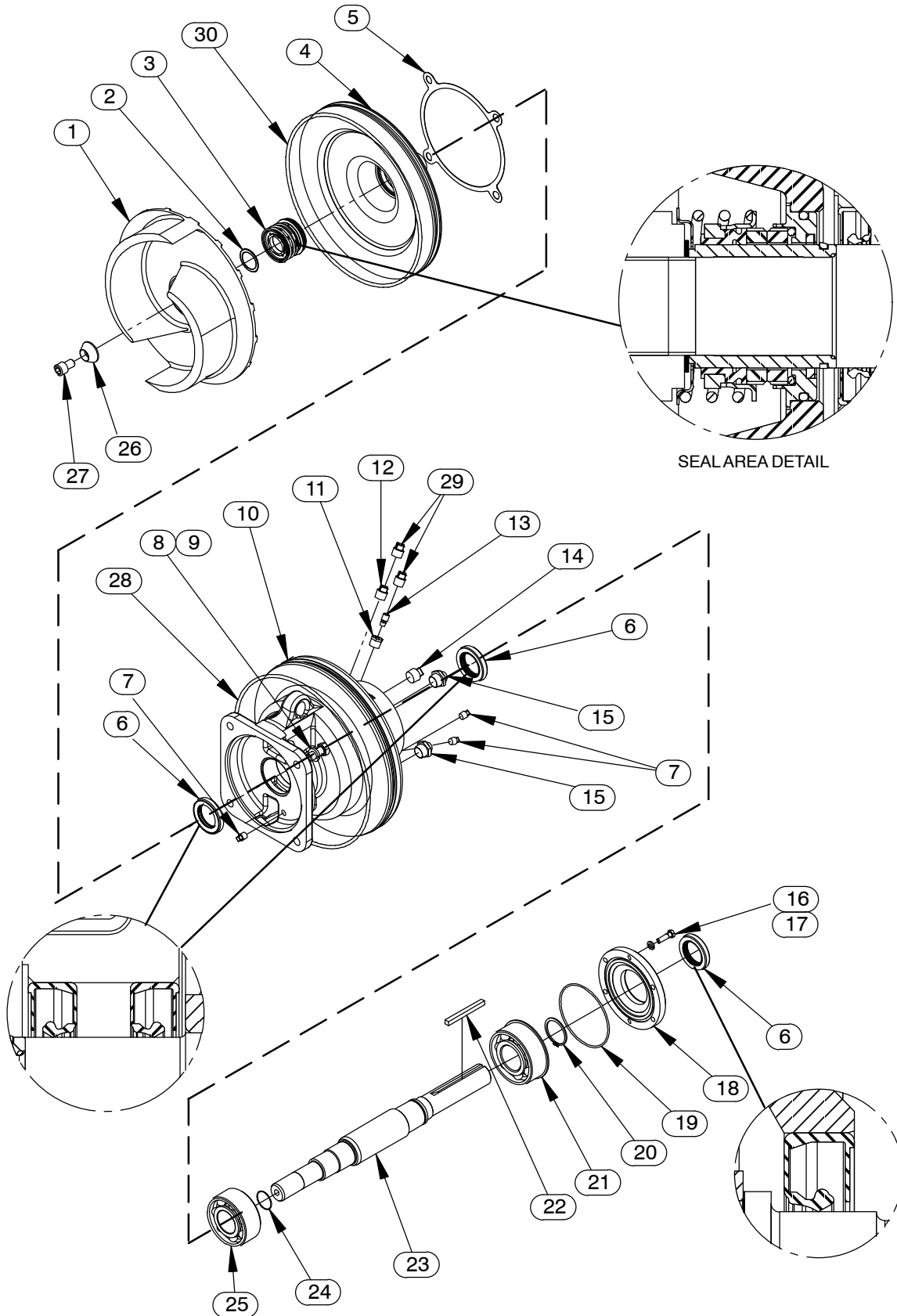


Figure 2. Repair Rotating Assembly

**PARTS LIST**  
**Repair Rotating Assembly**

ITEM NO.		PART NAME	PART NUMBER	QTY
1	*	IMPELLER	12349 1102H	1
2		ADJ SHIM SET	5091 17090	1
3	*	SEAL ASSY	46513-154	1
4		SEAL PLATE	12350 1102H	1
5	*	GASKET	12350G 20000	1
6	*	OIL SEAL	S1917	3
7		PIPE PLUG	P04 15079	3
8		LOCK WASHER	J10 15991	4
9		HEX HEAD CAP SCREW	B1006 15991	4
10		BEARING HOUSING	38251-412 10000	1
11		REDUCER PIPE BUSHING	AP0802 15079	1
12		VENTED PIPE PLUG	4823A 15079	1
13		AIR VENT	S1530	1
14		PIPE PLUG	P12 15079	1
15		SIGHT GAUGE	S1471	2
16		HEX HEAD CAP SCREW	B0605-1/2 15991	6
17		LOCK WASHER	J06 15991	6
18		BEARING CAP	38322-415 10010	1
19	*	O-RING	S333	1
20		RETAINING RING	S215	1
21	*	BALL BEARING DBL-ROW	23422-412	1
22	*	KEY	N0616 15990	1
23	*	IMPELLER SHAFT	38515-587 16000	1
24	*	O-RING	25154-026	1
25	*	DBL ROW BALL BEARING	23421-461	1
26		IMPELLER WASHER	10278 15030	1
27		SOCKET HEAD CAP SCREW	DM1004S 15991	1
28		O-RING	S1914	2
29		SHIPPING PLUG	11495B 15079	2
NOT SHOWN:				
		DRIVE SCREW	BM#04-03 17000	2
		ASSEMBLY PLATE	2613GG 13990	1
		INSTRUCTION TAG	6588U	1
		ROTATION DECAL	2613M	1
		ADJ. SHIM	33221-018 17040	12

\* INDICATES PARTS RECOMMENDED FOR STOCK

**COMPLETE GASKET/O-RING AND SHAFT REPAIR KITS AVAILABLE – CONSULT FACTORY.**