

ILLUSTRATION

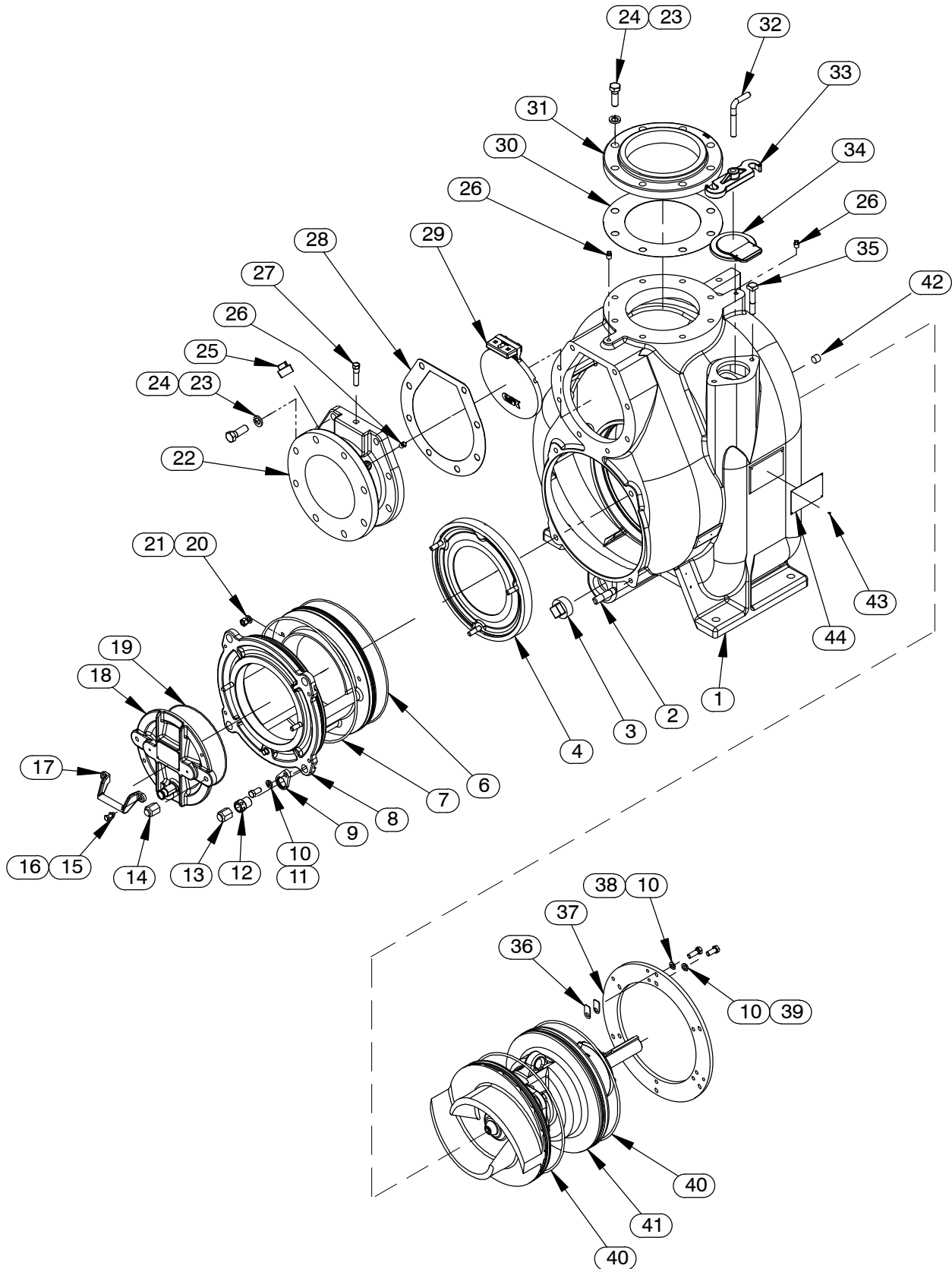


Figure 1. Pump Model T8A3S-B, including /F, /FM, /WW, /WWS

PARTS LIST
Pump Model T8A3S-B, including /F, /FM, /WW, /WWS
 (From S/N 1714027 Up)

If your pump serial number is followed by an "N", your pump is **NOT** a standard production model. Contact the Gorman-Rupp Company to verify part numbers.

ITEM NO.	PART NAME	PART NUMBER	QTY	ITEM NO.	PART NAME	PART NUMBER	QTY
1	REPAIR PUMP CASING	SEE NOTE BELOW	1	35	MACHINE BOLT	A1014 15991	2
2	STUD	C1213 15991	4	36	ADJ SHIM	33221-018 17040	12
3	PIPE PLUG	P32 10009	1	37	VOLUTE RING	31281-016 15990	1
4 *	WEAR PLATE ASSY	46451-786	1	38	HEX HEAD CAP SCREW	B0806 15991	6
6 *	O-RING	25152-384	1	39	HEX HEAD CAP SCREW	B0805 15991	6
7 *	O-RING	S1915	1	40 *	O-RING	S1914	2
8	BACK COVER ASSY	42111-837	1	41	REPAIR ROTATING ASSY:		
9	LOCK COLLAR	38115-551 15001	4		-T8A3S-B, /F, /FM	44163-291	1
10	LOCK WASHER	J08 15991	16		-T8A3S-B /WW	44163-292	1
11	HEX HEAD CAP SCREW	B0804-1/2 15991	4		-T8A3S-B /WWS	44163-302	1
12	ADJUSTING SCREW	31871-070 1500G	4	42	PIPE PLUG	P08 15079	1
13	BACK COVER NUT	31871-073 15000	4	43	DRIVE SCREW	BM#04-03 17000	4
14	BACK COVER NUT	31871-075 15000	2	44	NAMEPLATE BLANK	38819-002 13000	1
15	LOCK WASHER	J06 15991	2	NOT SHOWN:			
16	HEX HEAD CAP SCREW	B0604 15991	2		LUBRICATION DECAL	38817-084	1
17	HANDLE	12354 13010	1		FILL TO PRIME STICKER	6588AH	1
18	INSPECT COVER ASSY	42111-452	1		G-R DECAL 6 IN	GR-06	1
	* -PRESSURE RELIEF VLV	26662-005	1		SUPER "T" DECAL	38812-089	1
	-DRIVE SCREW	BM#04-03 17000	4		WARNING DECAL	2613FE	1
	-WARNING PLATE	2613EV 13990	1		INSTRUCTION TAG	38817-023	1
19 *	O-RING	25152-273	1		INSTRUCTION TAG	38817-011	1
20	LOCK WASHER	J08 17090	3		DISCHARGE STICKER	6588BJ	1
21	HEX NUT	D08 17090	3		SUCTION STICKER	6588AG	1
22	SUCTION FLANGE:				ROTATION DECAL	2613M	1
	-T8A3S-B, /F, /WW	12356 10010	1	OPTIONAL:			
	-T8A3S-B /FM	38642-611 10000	1		DISASSEMBLY TOOL	12858 24000	1
23	LOCK WASHER	J12 15991	16	CASING HEATERS:			
24	HEX HEAD CAP SCREW	B1209 15991	16		-120V	47811-096	1
25	PIPE PLUG	P20 10009	1		-240V	47811-097	1
26	PIPE PLUG	P04 15079	3		ADI WEAR PLATE	12348A 1102H	1
27	CHECK VALVE PIN	12357 17010	1		/F DISCHARGE FLANGE	12799 10010	1
28 *	GASKET	12356G 19370	1		/FM METRIC FLANGES:		
29 *	8" FLAP VALVE ASSY	46411-066	1		-SUCTION	38642-611 10000	1
30 *	GASKET	25113-038	1		-DISCHARGE	38642-612 10000	1
31	DISCHARGE FLANGE:				CHECK VALVE ASSYS:		
	-T8A3S-B	1759 10010	1		-NEO SOLID TYPE	46411-018	1
	-T8A3S-B /F	12799 10010	1	✓	-VITON SOLID	46411-080	1
	-T8A3S-B /FM	38642-612 10000	1	✓	-VITON BLOW-OUT	46411-090	1
32	SCREW-CLAMP BAR	31912-009 15000	1		PRESS RELIEF VALVES:		
33	CLAMP BAR	38111-004 11010	1		-SEWAGE TYPE	46431-803	1
34	COVER PLATE ASSY	42111-344	1		AIR RELEASE VALVES:		
	-WARNING PLATE	38816-097 13990	1		-10# COMP SPRING	GRP33-07A	1
	-DRIVE SCREW	BM#04-03 17000	2		-25# COMP SPRING	GRP33-07	1
	-COVER GASKET	50G 19210	1		-80# COMP SPRING	GRP33-07B	1

* INDICATES PARTS RECOMMENDED FOR STOCK

☞ INCLUDED WITH REPAIR PUMP CASING ASSY 46472-714 1

✓ VITON® IS A REGISTERED TRADEMARK OF THE DUPONT CORP.

COMPLETE GASKET/O-RING AND SHAFT REPAIR KITS AVAILABLE – CONSULT FACTORY.

ILLUSTRATION

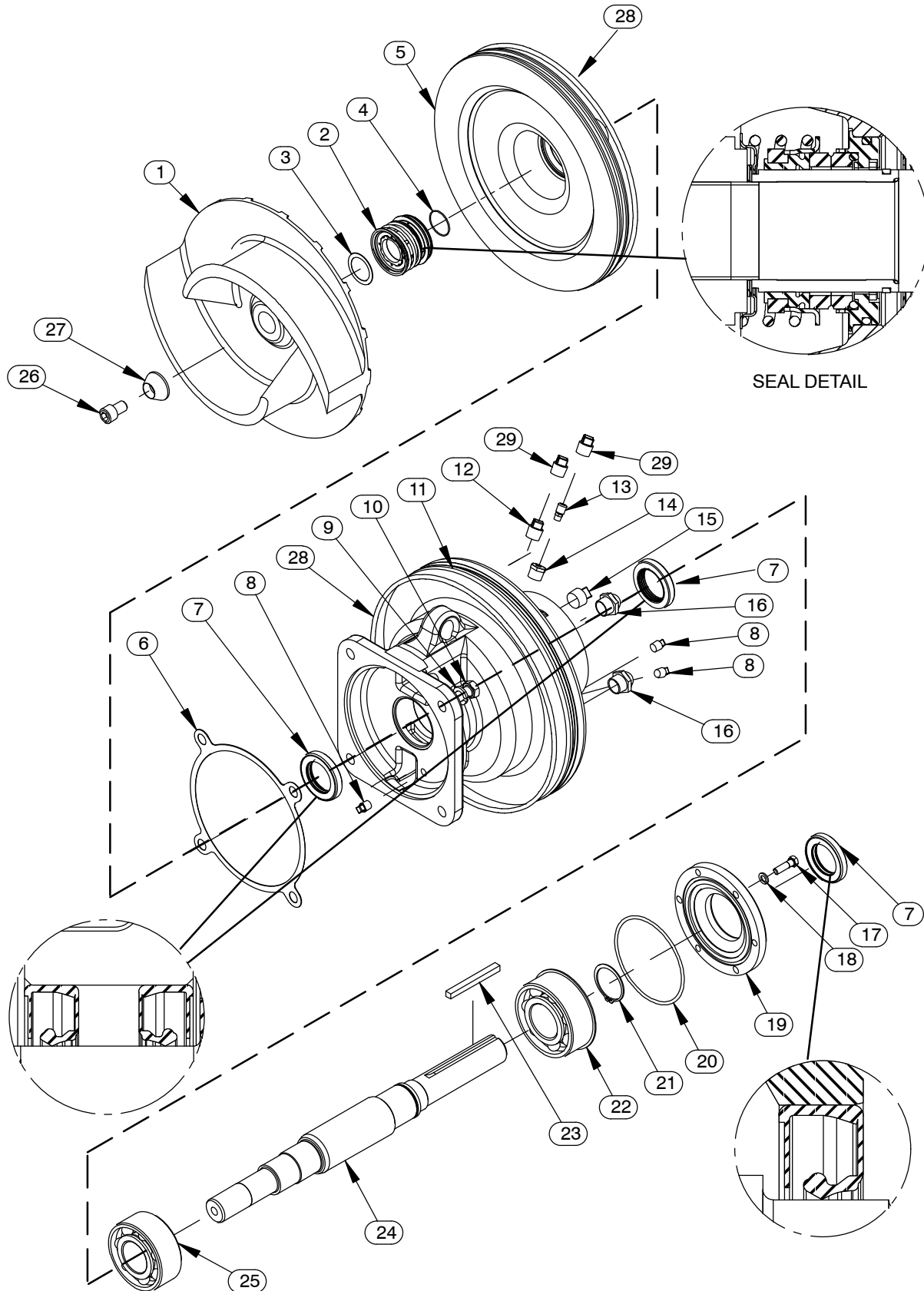


Figure 2. Repair Rotating Assemblies

PARTS LIST
Repair Rotating Assemblies

Note: Order complete Repair Rotating Assemblies from the Pump Model Assembly Parts List on page E-3. Repair Rotating Assemblies for /WW models include all of the standard parts listed below. Repair Rotating Assemblies for /WWS models include the stainless steel shaft and seal assembly listed below under STAINLESS STEEL PARTS. All other parts are the same as the standard model.

ITEM NO.	PART NAME	PART NUMBER	QTY	ITEM NO.	PART NAME	PART NUMBER	QTY
1 *	IMPELLER	12349 11000	1	24 *	IMPELLER SHAFT	38515-587 16000	1
2 *	SEAL ASSY	46513-153	1	25 *	BALL BEARING	23421-461	1
3	ADJ SHIM SET	5091 17090	2	26	SCKT HD CAP SCREW	DM1004S 15991	1
4 *	O-RING	25154-026	1	27	IMPELLER WASHER	10278 15030	1
5	SEAL PLATE	12350 10010	1	28 *	O-RING	S1914	2
6 *	GASKET	12350G 20000	1	29	SHIPPING PLUG	11495B 15079	2
7 *	OIL SEAL	S1917	3	NOT SHOWN:			
8	PIPE PLUG	P04 15079	3		ASSEMBLY PLATE	2613GG 13990	1
9	LOCK WASHER	J10 15991	4		DRIVE SCREW	BM#04-03 17000	2
10	HEX HEAD CAP SCREW	B1006 15991	4		ADJ. SHIM	33221-018 17040	12
11	BEARING HOUSING	38251-412 10000	1		ROTATION DECAL	2613M	1
12	VENTED PIPE PLUG	4823A 15079	1		INSTRUCTION TAG	6588U	1
13	AIR VENT	S1530	1	OPTIONAL:			
14	REDUCER PIPE BUSHING	AP0802 15079	1	STAINLESS STEEL PARTS:			
15	PIPE PLUG	P12 15079	1		/WWS SST SHAFT		
16	SIGHT GAUGE	S1471	2		W/O SLEEVE	38515-588 1706H	1
17	HEX HEAD CAP SCREW	B0605-1/2 15991	6		/WWS SEAL ASSY		
18	LOCK WASHER	J06 15991	6		(FOR SST SHAFT)	12590A	1
19	BEARING CAP	38322-415 10010	1		IMPELLER WASHER	10278 17090	1
20 *	O-RING	S333	1		IMP CAPSCREW	DM1004S 17090	1
21	RETAINING RING	S215	1	ADI PARTS:			
22 *	BALL BEARING	23422-412	1		-IMPELLER	12349 1102H	1
23 *	KEY	N0616 15990	1		-SEAL PLATE	12350 1102H	1

* INDICATES PARTS RECOMMENDED FOR STOCK

COMPLETE GASKET/O-RING AND SHAFT REPAIR KITS AVAILABLE – CONSULT FACTORY.