

ILLUSTRATION

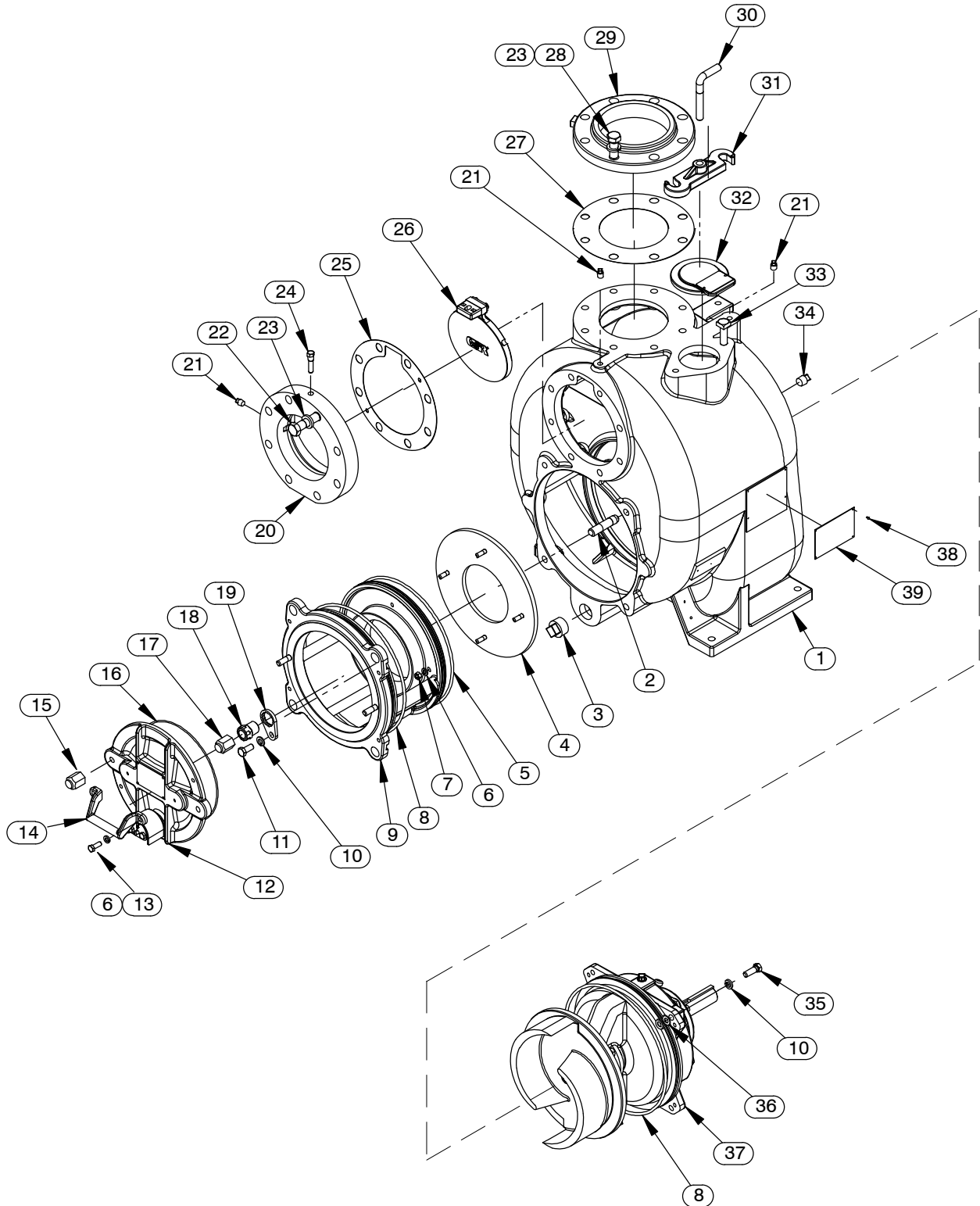


Figure 1. Pump Model T6A65S-B, including /F, /FM

PARTS LIST
Pump Model T6A65S-B, including /F, /FM
 (From S/N 1726430 Up)

If your pump serial number is followed by an "N", your pump is **NOT** a standard production model. Contact the Gorman-Rupp Company to verify part numbers.

ITEM NO.	PART NAME	PART NUMBER	QTY	ITEM NO.	PART NAME	PART NUMBER	QTY
1	PUMP CASING	SEE NOTE BELOW	1	33	MACHINE BOLT	A1014 17090	2
2	STUD	C1213 1706G	4	34	PIPE PLUG	P08 17090	1
3	PIPE PLUG	P20 17090	1	35	HEX HEAD CAP SCREW	B0806 17090	4
4 *	WEAR PLATE ASSEMBLY	46451-723 1718H	1	36	ADJ SHIM	13131-3 17040	8
5 *	O-RING	25154-453	1	37	REPAIR ROTATING ASSY	44163-361	1
6	LOCK WASHER	J06 17090	6	38	DRIVE SCREW	BM#04-03 17090	4
7	HEX NUT	D06 17090	4	39	NAMEPLATE BLANK	38819-002 17040	1
8	O-RING	25154-454	2	NOT SHOWN:			
9	BACK COVER ASSY	42111-845	1		SUCTION STICKER	6588AG	1
10	LOCK WASHER	J08 17090	8		FILL TO PRIME STICKER	6588AH	1
11	HEX HEAD CAP SCREW	B0804-1/2 17090	4		DISCHARGE STICKER	6588BJ	1
12	INSPECT COVER ASSY	42111-460	1		SUPER "T" DECAL	38812-089	1
	-WARNING PLATE	2613EV 17090	1		G-R DECAL 6 IN	GR-06	1
	-DRIVE SCREW	BM#04-03 17090	4		INSTRUCTION TAG	38817-023	1
	* -PRESS RELIEF VALVE	46431-803	1		INSTRUCTION TAG	38817-011	1
13	HEX HEAD CAP SCREW	B0604 17090	2		LUBRICATION DECAL	38817-084	1
14	HANDLE	12354 17040	1		ROTATION DECAL	2613M	1
15	BACK COVER NUT	31871-075 17040	2		WARNING DECAL	2613FE	1
16 *	O-RING	25154-273	1	OPTIONAL:			
17	BACK COVER NUT	31871-073 17040	4	**	SELF CLEANING		
18	ADJUSTING SCREW	31871-070 1704G	4		WEAR PLATE	46451-766 1718H	1
19	LOCK COLLAR	38115-551 17040	4		DISASSEMBLY TOOL	48711-020	1
20	SUCTION FLANGE:				/F FLANGE KIT	48213-048	1
	-T6A65S-B	11402 17180	1		/FM METRIC FLANGES:		
	-T6A65S-B /F	11402A 17180	1		-SUCTION	38642-505 17180	1
	-T6A65S-B /FM	38642-505 17180	1		-DISCHARGE	38642-506 17180	1
21	PIPE PLUG	P04 17090	3		CASING HEATERS:		
22	HEX HEAD CAP SCREW	B1211 17090	8		-120V	47811-080	1
23	LOCK WASHER	J12 17090	16		-240V	47811-081	1
24	CHECK VALVE PIN	11645 17090	1		CHECK VALVE ASSYS:		
25 *	SUCT FLANGE GASKET	11402G 19410	1		-NEO SOLID TYPE	46411-019	1
26 *	6" FLAP VALVE ASSY	46411-094	1	✓	-VITON SOLID	46411-078	1
27 *	GASKET	1679G 19410	1	✓	-VITON BLOW-OUT	46411-088	1
28	HEX HEAD CAP SCREW	B1208 17090	8		HI TEMP SHUT-DOWN KITS:		
29	DISCHARGE FLANGE:				-145°F	48313-186	1
	-T6A65S-B	1758 17070	1		-130°F	48313-256	1
	-T6A65S-B /F	11402B 17180	1		-120°F	48313-257	1
	-T6A65S-B /FM	38642-506 17180	1		HIGH TEMP SHUT-DOWN		
30	SCREW-CLAMP BAR	31912-009 1704G	1		THERMOSTAT KIT 145°F	48313-172	1
31	CLAMP BAR	38111-004 17040	1		AIR RELEASE VALVES:		
32	COVER PLATE ASSY	42111-385	1		-10# COMP SPRING	GRP33-07A	1
	-WARNING PLATE	38816-097 17090	1		-25# COMP SPRING	GRP33-07	1
	-DRIVE SCREW	BM#04-03 17090	2		-80# COMP SPRING	GRP33-07B	1
	-COVER GASKET	50G 19210	1	✓	BACK COVER O-RINGS		
					-VITON	25154-454	1

* INDICATES PARTS RECOMMENDED FOR STOCK

☞ INCLUDED WITH REPAIR 46472-723 1
 PUMP CASING ASSY

✓ VITON® IS A REGISTERED TRADEMARK OF THE DUPONT CORP.

COMPLETE GASKET/O-RING AND SHAFT REPAIR KITS AVAILABLE - CONSULT FACTORY.

** FOR PUMP RETRO-FITTING, BACK COVER OPENING MUST BE 6.19 INCH DIAMETER - CONSULT FACTORY FOR DETAILS.

ILLUSTRATION

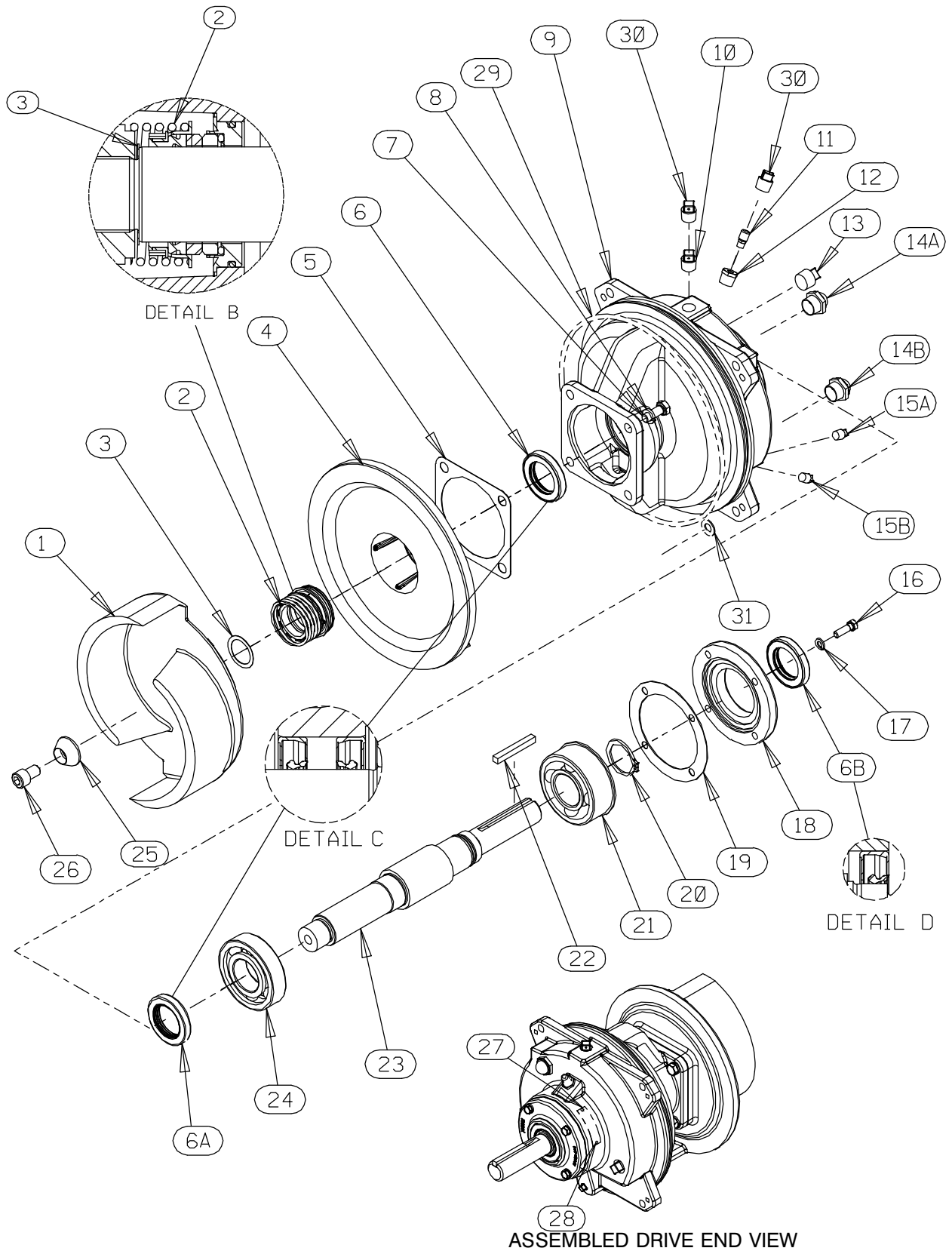


Figure 2. Repair Rotating Assembly

PARTS LIST

Repair Rotating Assembly

ITEM NO.	PART NAME	PART NUMBER	QTY	ITEM NO.	PART NAME	PART NUMBER	QTY
1 *	IMPELLER	38615-087 1718H	1	19 *	BEARING CAP GASKET	38683-473 19410	1
2 *	SEAL ASSEMBLY	46512-192	1	20	SNAP RING	24124-425	1
3 *	IMPELLER ADJ SHIM SET	5091 17090	REF	21 *	BALL BEARING	S1030	1
4	SEAL PLATE	38272-254 1718H	1	22 *	SHAFT KEY	N00612 17040	1
5 *	SEAL PLATE GASKET	10959G 19410	1	23 *	IMPELLER SHAFT	38514-820 1706H	1
6 *	OIL SEAL	S1917	1	24 *	BALL BEARING	S616	1
6A *	OIL SEAL	S1917	1	25 *	IMPELLER WASHER	10278 17090	1
6B *	OIL SEAL	S1917	1	26 *	IMPELLER SCREW	DM1004S 17090	1
7	HEX HD CAPSCREW	B0805-1/2 17090	4	27	S/N PLATE	2613GG 17020	1
8	LOCK WASHER	J08 17090	4	28	DRIVE SCREW	BM#04-03 17090	2
9	BEARING HOUSING	38251-516 17080	1	29 *	BRG HOUSING O-RING	25154-454	1
10	VENTED PIPE PLUG	4823A 17040	1	30	SHIPPING PLUG	11495B 15079	2
11	AIR VENT	26717-006	1	31	ROT ASSY ADJ SHIMS	13131-3 17040	1
12	REDUCER PIPE BUSHING	AP0802 17040	1	NOT SHOWN:			
13	PIPE PLUG	P12 17090	1		ROTATION DECAL	2613M	1
14A	SIGHT GAUGE	26714-021	1		INSTRUCTION TAG	6588U	1
14B	SIGHT GAUGE	26714-021	1	OPTIONAL:			
15A	BRG CAVITY DRAIN PLUG	PC04 17090	1		PERMALON COATED		
15B	SEAL CAVITY DRAIN PLUG	PC04 15079	1		SEAL ASSY	46512-189	1
16	HEX HD CAPSCREW	B0605 17090	4	★	AFLAS SEAL	46512-194	1
17	LOCK WASHER	J06 17090	4		METAL BELLOWS MECH SEAL ASSY		
18	BEARING CAP	38322-430 17040	1	✓	(KALREZ)	46512-184	1

* INDICATES PARTS RECOMMENDED FOR STOCK

COMPLETE GASKET/O-RING AND SHAFT REPAIR KITS AVAILABLE – CONSULT FACTORY.