

ILLUSTRATION

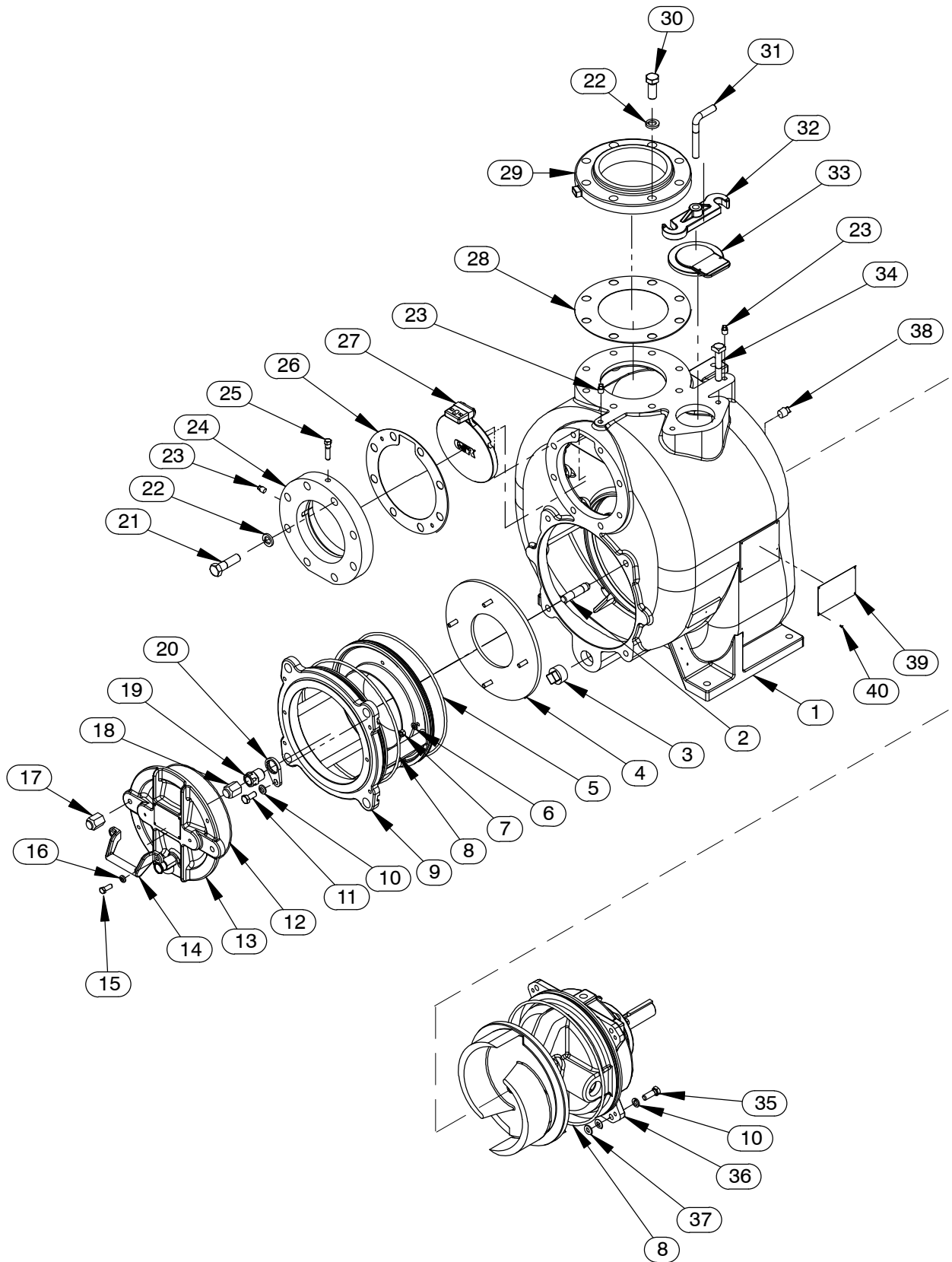


Figure 1. Pump Model T6A61S-B, including /F, /FM

**PARTS LIST**  
**Pump Model T6A61S-B, including /F, /FM**  
 (From S/N 1717465 Up)

If your pump serial number is followed by an "N", your pump is **NOT** a standard production model. Contact the Gorman-Rupp Company to verify part numbers.

ITEM NO.	PART NAME	PART NUMBER	QTY	ITEM NO.	PART NAME	PART NUMBER	QTY
1	PUMP CASING	SEE NOTE BELOW	1	34	MACHINE BOLT	A1014 15991	2
2	STUD	C1213 15991	4	35	HEX HEAD CAP SCREW	B0806 15991	4
3	PIPE PLUG	P20 10009	1	36	REPAIR ROTATING ASSY	44163-284	1
4 *	WEAR PLATE ASSY	46451-723 24170	1	37	ADJ SHIM	13131-3 17040	8
5 *	O-RING	25152-453	1	38	PIPE PLUG	P08 15079	1
6	LOCK WASHER	J06 17090	4	39	NAMEPLATE BLANK	38819-002 13000	1
7	HEX NUT	D06 17090	4	40	DRIVE SCREW	BM#04-03 17000	4
8 *	O-RING	S1676	2	<b>NOT SHOWN:</b>			
9	BACK COVER ASSY	42111-835	1		SUCTION STICKER	6588AG	1
10	LOCK WASHER	J08 15991	8		FILL TO PRIME STICKER	6588AH	1
11	HEX HEAD CAP SCREW	B0804-1/2 15991	4		DISCHARGE STICKER	6588BJ	1
12 *	O-RING	25152-273	1		SUPER "T" DECAL	38812-089	1
13	INSPECT COVER ASSY	42111-455	1		G-R DECAL	GR-06	1
	-WARNING PLATE	2613EV 13990	1		INSTRUCTION TAG	38817-023	1
	-DRIVE SCREW	BM#04-03 17000	4		LUBRICATION DECAL	38817-084	1
	* -PRESSURE RELIEF VLV	46431-803	1		ROTATION DECAL	2613M	1
14	HANDLE	12354 13010	1		WARNING DECAL	2613FE	1
15	HEX HEAD CAP SCREW	B0604 15991	2		INSTRUCTION TAG	38817-011	1
16	LOCK WASHER	J06 15991	2	<b>OPTIONAL:</b>			
17	BACK COVER NUT	31871-075 15000	2		DISASSEMBLY TOOL	48711-020	1
18	BACK COVER NUT	31871-073 15000	4		/F FLANGE KIT	48213-041	1
19	ADJUSTING SCREW	31871-070 1500G	4		/FM METRIC FLANGE KIT	48213-078	1
20	LOCK COLLAR	38115-551 15001	4		WEAR PLATES:		
21	HEX HEAD CAP SCREW	B1211 15991	8		-SPA ALLOY	46451-729 24160	1
22	LOCK WASHER	J12 15991	16		-TUNGSTEN CARBIDE	46451-726 2415D	1
23	PIPE PLUG	P04 15079	3		-STAINLESS STEEL	46451-723 1718H	1
24	SUCTION FLANGE:				CASING HEATERS:		
	-T6A61S-B	11402 10010	1		-120V	47811-080	1
	-T6A61S-B /F	11402A 10010	1		-240V	47811-081	1
	-T6A61S-B /FM	38642-502 10000	1		CHECK VALVE ASSYS:		
25	CHECK VALVE PIN	11645 17010	1		-NEO SOLID TYPE	46411-019	1
26 *	SUCT FLANGE GASKET	11402G 19370	1	✓	-VITON SOLID	46411-078	1
27 *	6" FLAP VALVE ASSY	46411-064	1	✓	-VITON BLOW-OUT	46411-088	1
28 *	GASKET	25113-036	1		PRESSURE RELIEF VLV	46431-803	1
29	DISCHARGE FLANGE:				HI TEMP SHUT-DOWN KITS:		
	-T6A61S-B	1758 10010	1		-145°F	48313-186	1
	-T6A61S-B /F	11402B 10010	1		-130°F	48313-256	1
	-T6A61S-B /FM	38642-503 10000	1		-120°F	48313-257	1
30	HEX HEAD CAP SCREW	B1208 15991	8		HIGH TEMP SHUT-DOWN		
31	SCREW-CLAMP BAR	31912-009 15000	1		THERMOSTAT KIT 145°F	48313-172	1
32	CLAMP BAR	38111-004 11010	1		AIR RELEASE VALVES:		
33	FILL COVER PLATE ASSY	42111-344	1		-10# COMP SPRING	GRP33-07A	1
	-WARNING PLATE	38816-097 13990	1		-25# COMP SPRING	GRP33-07	1
	-DRIVE SCREW	BM#04-03 17000	2		-80# COMP SPRING	GRP33-07B	1
	* -COVER GASKET	50G 19210	1	✓	BACK COVER O-RINGS		
					-VITON	25154-454	1

\* INDICATES PARTS RECOMMENDED FOR STOCK

☞ INCLUDED WITH REPAIR 46472-722 1  
 PUMP CASING ASSY

✓ VITON® IS A REGISTERED TRADEMARK OF THE DUPONT CORP.

**COMPLETE GASKET/O-RING AND SHAFT REPAIR KITS AVAILABLE - CONSULT FACTORY.**

ILLUSTRATION

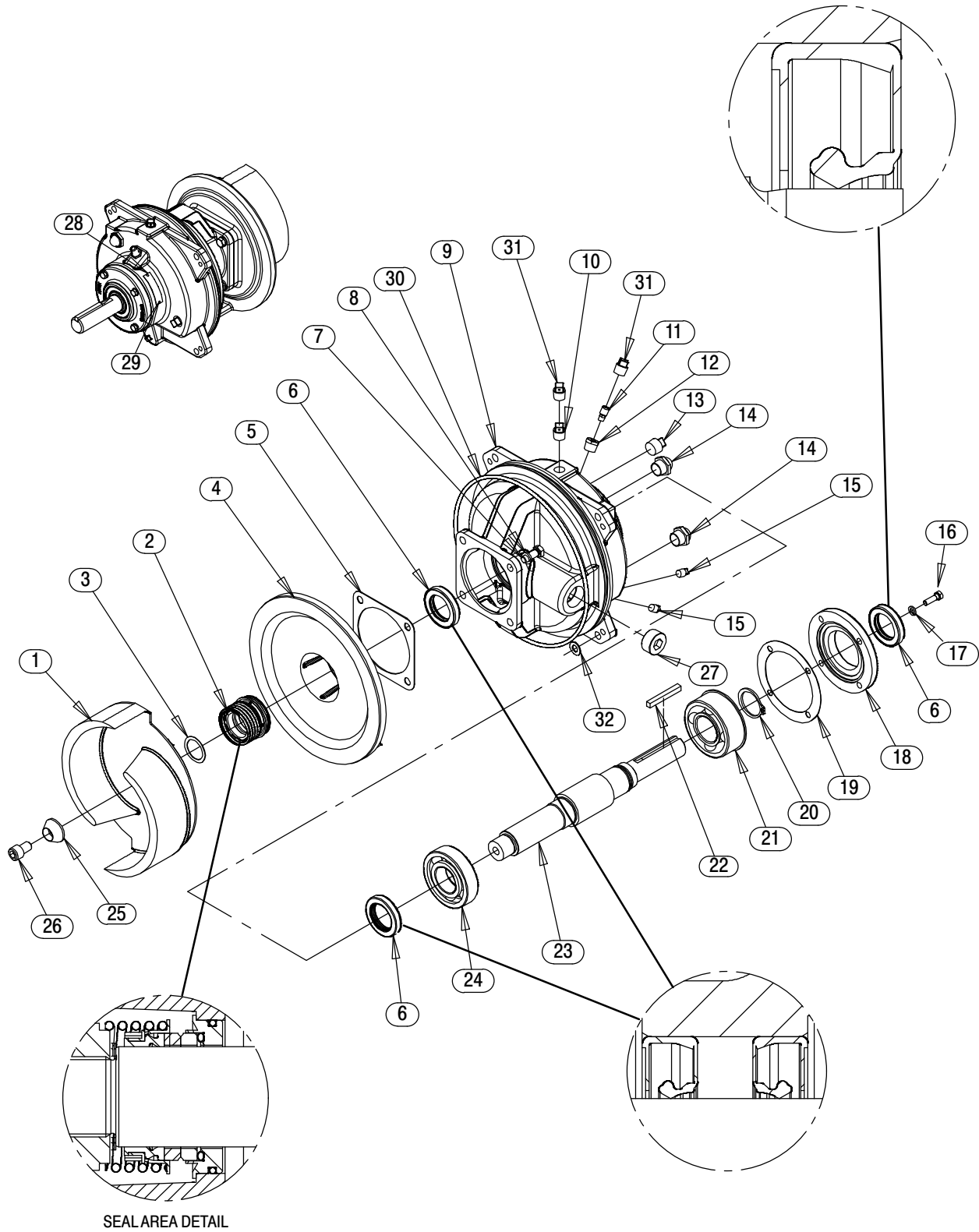


Figure 2. Repair Rotating Assembly

**PARTS LIST**  
**Repair Rotating Assembly**

ITEM NO.		PART NAME	PART NUMBER	QTY
1	*	IMPELLER	38615-087 17070	1
2	*	SEAL ASSEMBLY	46512-192	1
3	*	ADJ SHIM SET	5091 17090	1
4		SEAL PLATE	38272-254 17070	1
5	*	GASKET	10959G 20000	1
6	*	OIL SEAL	S1917	3
7		HEX HEAD CAP SCREW	B0805-1/2 17000	4
8		LOCK WASHER	J08 17090	4
9		BEARING HOUSING	38251-514 10000	1
10		VENTED PIPE PLUG	4823A 15079	1
11		AIR VENT	S1530	1
12		REDUCER PIPE BUSHING	AP0802 15079	1
13		PIPE PLUG	P12 15079	1
14		SIGHT GAUGE	S1471	2
15		PIPE PLUG	P04 15079	2
16		HEX HEAD CAP SCREW	B0605 15991	4
17		LOCK WASHER	J06 15991	4
18		BEARING CAP	38322-430 10010	1
19	*	BEARING CAP GASKET	38683-473 18000	1
20		SNAP RING	24124-425	1
21	*	BALL BEARING	S1030	1
22	*	KEY	N0612 15990	1
23	*	IMPELLER SHAFT	38514-820 1706H	1
24	*	BALL BEARING	S616	1
25	*	IMPELLER WASHER	10278 17090	1
26	*	SOCKET HEAD CAP SCREW	DM1004S 17090	1
27		PIPE PLUG	PC20 10009	1
28		ASSEMBLY PLATE	2613GG 13990	1
29		DRIVE SCREW	BM#04-03 17000	2
30	*	O-RING	S1676	1
31		SHIPPING PLUG	11495B 15079	2
32		SHIM	13131-3 17040	8
NOT SHOWN:				
		ROTATION DECAL	2613M	1
		INSTRUCTION TAG	6588U	1

\* INDICATES PARTS RECOMMENDED FOR STOCK

**COMPLETE GASKET/O-RING AND SHAFT REPAIR KITS AVAILABLE – CONSULT FACTORY.**