

ILLUSTRATION

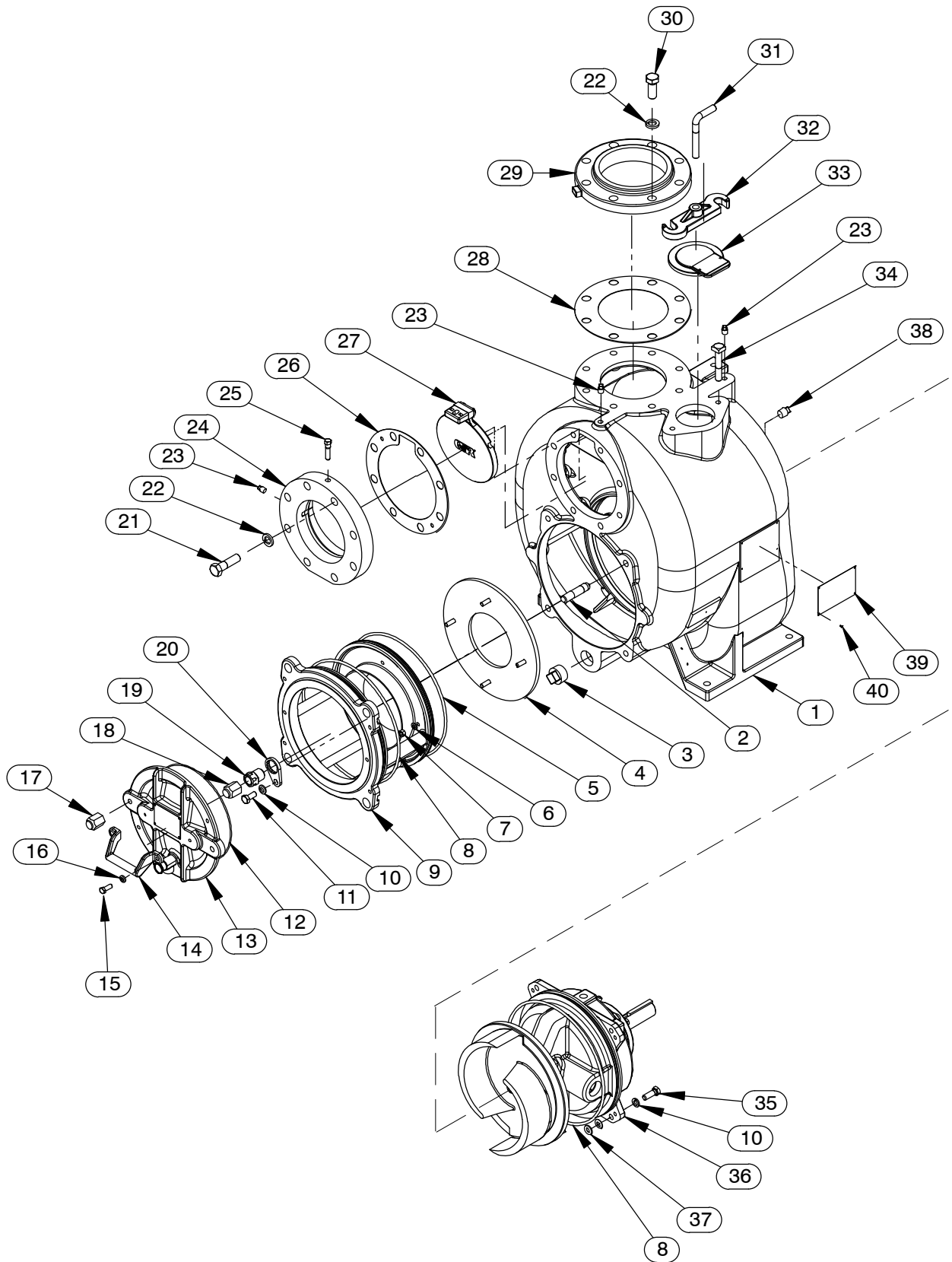


Figure 1. Pump Model T6A3S-B, including /F, /FM, /WW and /WWS

PARTS LIST
Pump Model T6A3S-B
 (From S/N 1719237 Up)

If your pump serial number is followed by an "N", your pump is **NOT** a standard production model. Contact the Gorman-Rupp Company to verify part numbers.

ITEM NO.	PART NAME	PART NUMBER	QTY	ITEM NO.	PART NAME	PART NUMBER	QTY
1	PUMP CASING	SEE NOTE BELOW	1	35	HEX HEAD CAP SCREW	B0806 15991	4
2	STUD	C1213 15991	4	36	REPAIR ROTATING ASSY:		
3	PIPE PLUG	P20 10009	1		-T6A3S-B, /F, & /FM	44163-263	1
4 *	WEAR PLATE ASSY	46451-723 24150	1		-T6A3S-B /WW	44163-303	1
5 *	O-RING	25152-453	1	37	ADJ SHIM	13131-3 17040	8
6	LOCK WASHER	J06 17090	4	38	PIPE PLUG	P08 15079	1
7	HEX NUT	D06 17090	4	39	NAMEPLATE BLANK	38819-002 13000	1
8 *	O-RING	S1676	2	40	DRIVE SCREW	BM#04-03 17000	4
9	BACK COVER ASSY	42111-835	1	NOT SHOWN:			
10	LOCK WASHER	J08 15991	8		SUCTION STICKER	6588AG	1
11	HEX HEAD CAP SCREW	B0804-1/2 15991	4		FILL TO PRIME STICKER	6588AH	1
12 *	O-RING	25152-273	1		DISCHARGE STICKER	6588BJ	1
13	INSPECT COVER ASSY	42111-452	1		SUPER "T" DECAL	38812-089	1
	-WARNING PLATE	2613EV 13990	1		G-R DECAL	GR-06	1
	-DRIVE SCREW	BM#04-03 17000	4		INSTRUCTION TAG	38817-023	1
	* -PRESSURE RELIEF VLV	26662-005	1		LUBRICATION DECAL	38817-084	1
14	HANDLE	12354 13010	1		ROTATION DECAL	2613M	1
15	HEX HEAD CAP SCREW	B0604 15991	2		WARNING DECAL	2613FE	1
16	LOCK WASHER	J06 15991	2		INSTRUCTION TAG	38817-011	1
17	BACK COVER NUT	31871-075 15000	2	OPTIONAL:			
18	BACK COVER NUT	31871-073 15000	4		DISASSEMBLY TOOL	48711-020	1
19	ADJUSTING SCREW	31871-070 1500G	4		/F FLANGE KIT	48213-041	1
20	LOCK COLLAR	38115-551 15001	4		/FM METRIC FLANGE KIT	48213-078	1
21	HEX HEAD CAP SCREW	B1211 15991	8		WEAR PLATES:		
22	LOCK WASHER	J12 15991	16		-SPA ALLOY	46451-729 24160	1
23	PIPE PLUG	P04 15079	3		-TUNGSTEN CARBIDE	46451-726 2415D	1
24	SUCTION FLANGE:				-STAINLESS STEEL	46451-723 1718H	1
	-T6A3S-B	11402 10010	1		CASING HEATERS:		
	-T6A3S-B /F & /WW	11402A 10010	1		-120V	47811-080	1
	-T6A3S-B /FM	38642-502 10000	1		-240V	47811-081	1
25	CHECK VALVE PIN	11645 17010	1		CHECK VALVE ASSYS:		
26 *	SUCT FLANGE GASKET	11402G 19370	1		-NEO SOLID TYPE	46411-019	1
27 *	6" FLAP VALVE ASSY	46411-064	1	✓	-VITON SOLID	46411-078	1
28 *	GASKET	25113-036	1	✓	-VITON BLOW-OUT	46411-088	1
29	DISCHARGE FLANGE:				PRESSURE RELIEF VLV	46431-803	1
	-T6A3S-B	1758 10010	1		HI TEMP SHUT-DOWN KITS:		
	-T6A3S-B /F	11402B 10010	1		-145°F	48313-186	1
	-T6A3S-B /FM	38642-503 10000	1		-130°F	48313-256	1
30	HEX HEAD CAP SCREW	B1208 15991	8		-120°F	48313-257	1
31	SCREW-CLAMP BAR	31912-009 15000	1		HIGH TEMP SHUT-DOWN		
32	CLAMP BAR	38111-004 11010	1		THERMOSTAT KIT 145°F	48313-172	1
33	FILL COVER PLATE ASSY	42111-344	1		AIR RELEASE VALVES:		
	-WARNING PLATE	38816-097 13990	1		-10# COMP SPRING	GRP33-07A	1
	-DRIVE SCREW	BM#04-03 17000	2		-25# COMP SPRING	GRP33-07	1
	* -COVER GASKET	50G 19210	1		-80# COMP SPRING	GRP33-07B	1
34	MACHINE BOLT	A1014 15991	2	✓	BACK COVER O-RINGS		
					-VITON	25154-454	1

* INDICATES PARTS RECOMMENDED FOR STOCK

☞ INCLUDED WITH REPAIR 46472-722 1
 PUMP CASING ASSY

✓ VITON® IS A REGISTERED TRADEMARK OF THE DUPONT CORP.

COMPLETE GASKET/O-RING AND SHAFT REPAIR KITS AVAILABLE – CONSULT FACTORY.

ILLUSTRATION

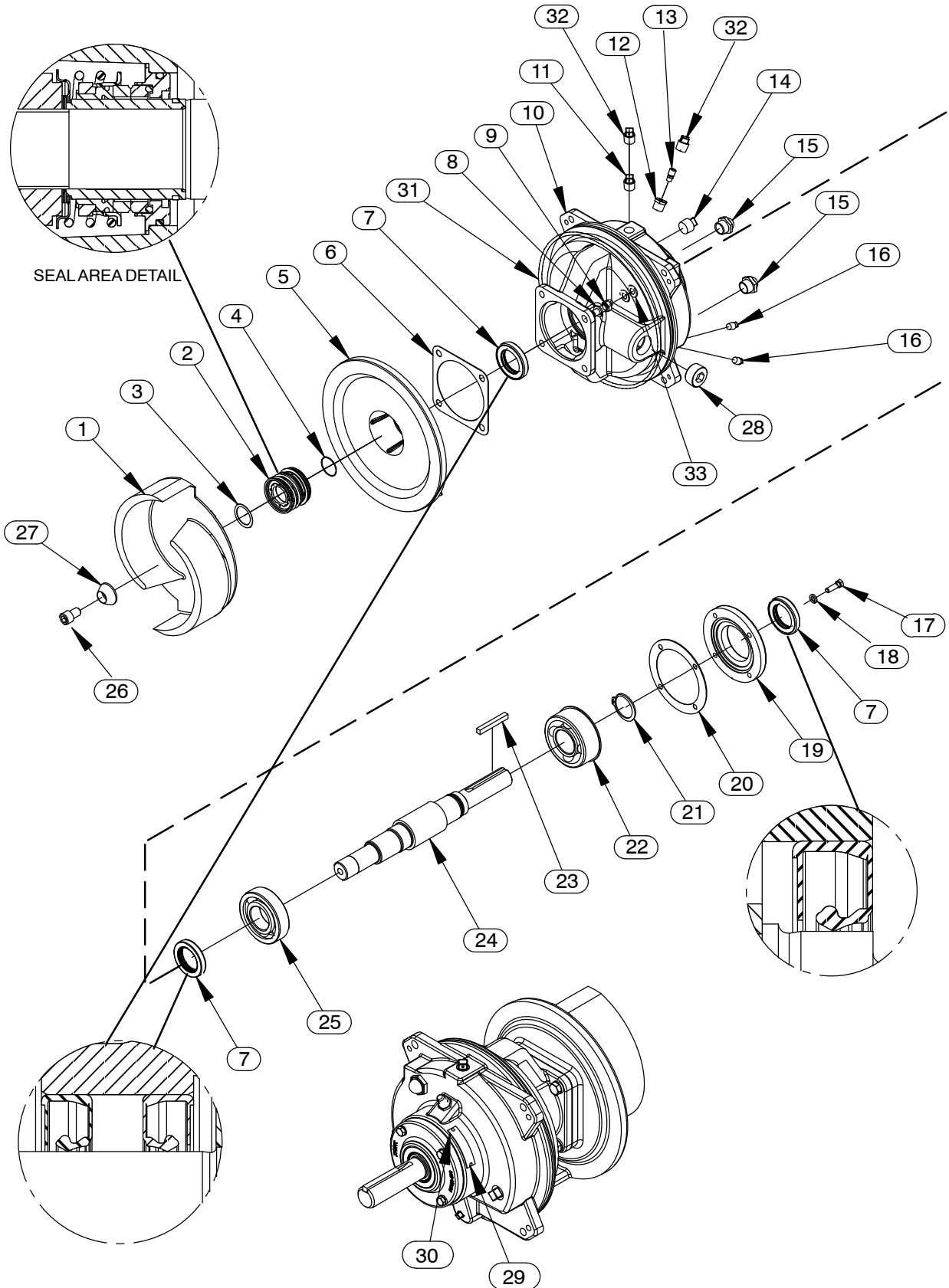


Figure 2. Repair Rotating Assemblies

PARTS LIST

Repair Rotating Assemblies

Note: Order complete Repair Rotating Assemblies for /WW and /WWS models from the Pump Model Assembly Parts List on page E-3. Repair Rotating Assemblies for /WW models include all of the standard parts listed below. Repair Rotating Assemblies for /WWS models include the stainless steel shaft and seal assembly listed below under STAINLESS STEEL PARTS. All other parts are the same as the standard model.

ITEM NO.	PART NAME	PART NUMBER	QTY	ITEM NO.	PART NAME	PART NUMBER	QTY
1 *	IMPELLER	38615-087 11010	1	22 *	BALL BEARING	S1030	1
2 *	1 7/8 CTG SEAL ASSY	46513-153	1	23 *	KEY	N0612 15990	1
3 *	ADJ SHIM SET	5091 17090	REF	24 *	IMPELLER SHAFT	38514-818 16040	1
4 *	O-RING	25154-026	REF	25 *	BALL BEARING	S616	1
5	SEAL PLATE	38272-254 10010	1	26 *	SOC HD CAP SCREW	DM1004S 15991	1
6 *	GASKET	10959G 20000	1	27 *	IMPELLER WASHER	10278 15030	1
7 *	OIL SEAL	S1917	3	28	PIPE PLUG	PC20 10009	1
8	LOCK WASHER	J08 15991	4	29	DRIVE SCREW	BM#04-03 17000	2
9	HEX HEAD CAP SCREW	B0805-1/2 15991	4	30	ASSEMBLY PLATE	2613GG 13990	1
10	BEARING HOUSING	38251-514 10000	1	31 *	O-RING	S1676	1
11	VENTED PIPE PLUG	4823A 15079	1	32	SHIPPING PLUG	11495B 15079	2
12	REDUCER PIPE BUSHING	AP0802 15079	1	33	ADJ SHIM	13131-3 17040	8
13	AIR VENT	S1530	1	NOT SHOWN:			
14	PIPE PLUG	P12 15079	1		ROTATION DECAL	2613M	1
15	SIGHT GAUGE	S1471	2		INSTRUCTION TAG	6588U	1
16	PIPE PLUG	P04 15079	2	OPTIONAL:			
17	HEX HEAD CAP SCREW	B0605 15991	4	/WWS STAINLESS STEEL PARTS:			
18	LOCK WASHER	J06 15991	4		-IMPELLER SHAFT	38514-820 1706H	1
19	BEARING CAP	38322-430 10010	1		-SEAL ASSEMBLY	12590A	1
20 *	BEARING CAP GASKET	38683-473 18000	1		-IMPELLER WASHER	10278 17090	1
21	SNAP RING	24124-425	1		-IMPELLER CAPSCREW	DM1004S 17090	1

* INDICATES PARTS RECOMMENDED FOR STOCK

COMPLETE GASKET/O-RING AND SHAFT REPAIR KITS AVAILABLE – CONSULT FACTORY.