

ILLUSTRATION

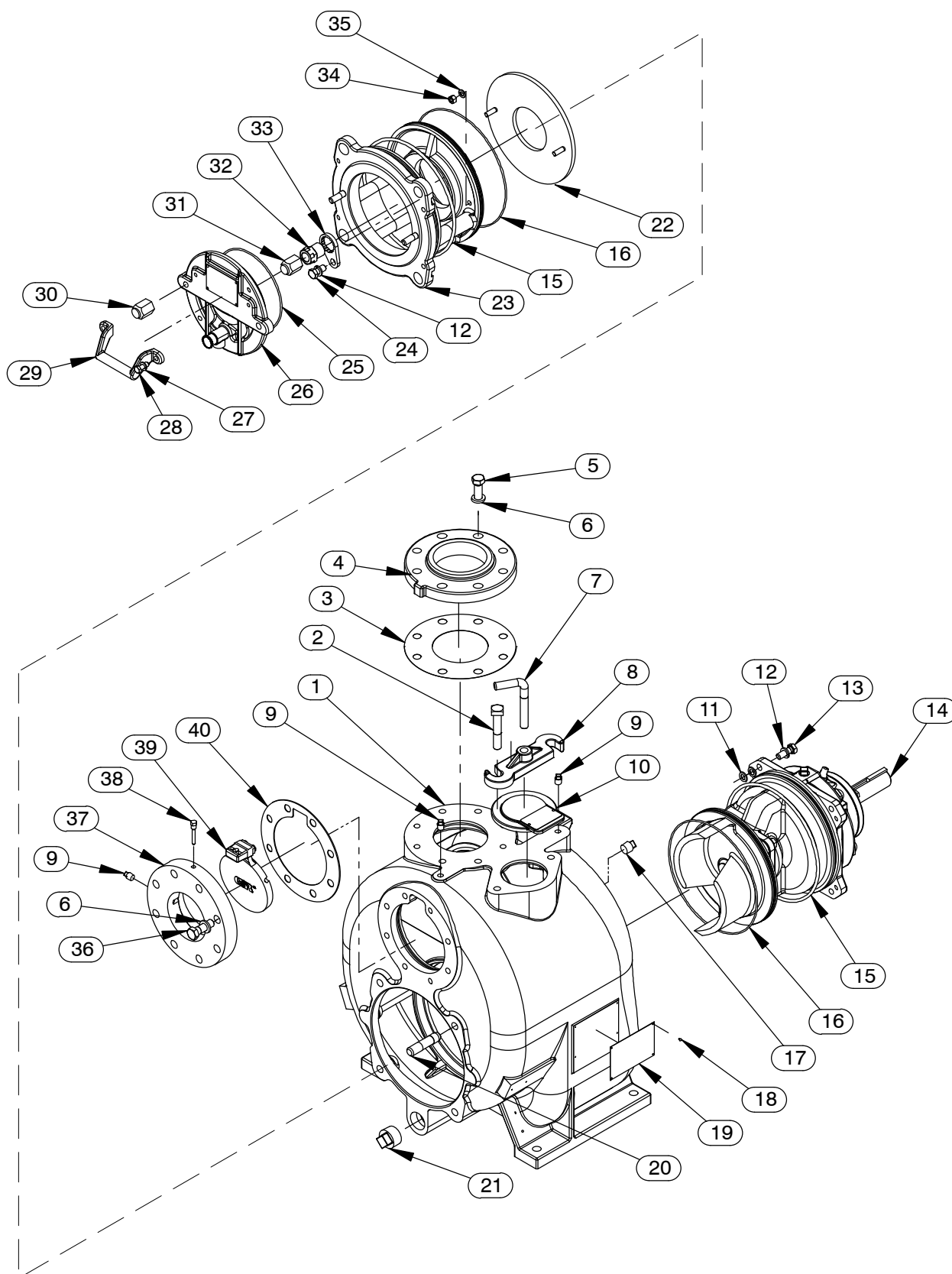


Figure 1. Pump Model T4A3S-B, Including /F, /FM, /WW, /WWS

PARTS LIST

Pump Model T4A3S-B, Including /F, /FM, /WW, /WWS

(From S/N 1708526 Up)

If your pump serial number is followed by an "N", your pump is **NOT** a standard production model. Contact the Gorman-Rupp Company to verify part numbers.

ITEM NO.	PART NAME	PART NUMBER	QTY	ITEM NO.	PART NAME	PART NUMBER	QTY
1	PUMP CASING	SEE NOTE BELOW	1		-T4A3S-B /F /WW /WWS	12066 10010	1
2	MACHINE BOLT	A1014 15991	2		-T4A3S-B /FM	38642-210 10000	1
3 *	GASKET	25113-034	1	38	CHECK VALVE PIN	11557 17010	1
4	DISCHARGE FLANGE:			39 *	4" FLAP VALVE ASSY	46411-062	1
	-T4A3S-B	1756 10010	1	40 *	FLANGE GASKET	11389G 19370	1
	-T4A3S-B /F	12066A 10010	1	NOT SHOWN:			
	-T4A3S-B /FM	38642-211 10000	1		LUBRICATION DECAL	38817-084	1
5	HEX HEAD CAP SCREW	B1007 15991	8		ROTATION DECAL	2613M	1
6	LOCK WASHER	J10 15991	16		WARNING DECAL	2613FE	1
7	SCREW-CLAMP BAR	31912-009 15000	1		SUCTION STICKER	6588AG	1
8	CLAMP BAR	38111-004 11010	1		FILL TO PRIME STICKER	6588AH	1
9	PIPE PLUG	P04 15079	3		DISCHARGE STICKER	6588BJ	1
10	COVER PLATE ASSY	42111-344	1		G-R DECAL	GR-03	1
	-WARNING PLATE	38816-097 13990	1		INSTRUCTION TAG	38817-023	1
	-DRIVE SCREW	BM#04-03 17000	2		INSTRUCTION TAG	38817-011	1
	-COVER GASKET	50G 19210	1		SUPER "T" DECAL	38812-089	1
11	ADJ SHIM	13130-3 17040	8		ERADICATOR DECAL	SEE TABLE	1
12	LOCK WASHER	J08 15991	8	OPTIONAL:			
13	HEX HEAD CAP SCREW	B0806 15991	4		SELF CLEANING		
14	REPAIR ROTATING ASSY:				WEAR PLATE	46451-763 24160	1
	-T4A3S-B /F /FM	44163-261	1		DISASSEMBLY TOOL	48711-020	1
	-T4A3S-B /WW	44163-305	1		/F FLANGE KIT	48213-039	1
	-T4A3S-B /WWS	44163-276	1		-SUCTION	12066 10010	1
15 *	O-RING	S1674	2		-DISCHARGE	12066A 10010	1
16 *	O-RING	25152-273	2		WEAR PLATE ASSY:		
17	PIPE PLUG	P08 15079	1		-STAINLESS STEEL	10532A 1718H	1
18	DRIVE SCREW	BM#04-03 17000	4		-ALLOY STEEL	46451-361 24160	1
19	NAMEPLATE BLANK	38819-002 13000	1		CASING HEATERS:		
20	STUD	C1213 15991	4		-120V	47811-078	1
21	PIPE PLUG	P20 10009	1		-240V	47811-079	1
22	WEAR PLATE ASSY	10532A 15990	1		CHECK VALVE ASSYS:		
23	BACK COVER ASSEMBLY	42111-834	1		-NEO SOLID TYPE	46411-020	1
24	HEX HEAD CAP SCREW	B0804-1/2 15991	4	✓	-VITON BLOW-OUT	46411-072	1
25 *	O-RING	S1472	1		-BUNA-N	46411-104	1
26	INSPECT COVER ASSY	42111-451	1		PRESS RELIEF VALVE:		
	* -PRESS RELIEF VALVE	26662-005	1		-STAINLESS STEEL	46431-803	1
	-DRIVE SCREW	BM#04-03 17000	4		HI TEMP SHUT-DOWN KITS:		
	-WARNING PLATE	2613EV 13990	1		-145°F	48313-186	1
27	LOCK WASHER	J06 15991	2		-130°F	48313-256	1
28	HEX HEAD CAP SCREW	B0604 15991	2		-120°F	48313-257	1
29	HANDLE	12354 13010	1		HI TEMP SHUT-DOWN THERMOSTAT KIT		
30	BACK COVER NUT	31871-075 15000	2		-145°F	48313-172	1
31	BACK COVER NUT	31871-073 15000	4		AIR RELEASE VALVES:		
32	ADJUSTING SCREW	31871-070 1500G	4		-10# COMP SPRING	GRP33-07A	1
33	LOCK COLLAR	38115-551 15001	4		-25# COMP SPRING	GRP33-07	1
34	HEX NUT	D06 17090	2		-80# COMP SPRING	GRP33-07B	1
35	LOCK WASHER	J06 17090	2		AIR REL VVL MNTG KIT	46331-515	1
36	HEX HEAD CAP SCREW	B1008 15991	8		BACK COVER O-RINGS		
37	SUCTION FLANGE:			★	-AFLAS	25150-409	1
	-T4A3S-B	11389 10010	1	✓	-VITON	25154-449	1

* INDICATES PARTS RECOMMENDED FOR STOCK

☞ INCLUDED WITH REPAIR 46472-721 1
PUMP CASING ASSY

✓ VITON® IS A REGISTERED TRADEMARK OF THE DUPONT CORP.

★ AFLAS® IS A PRODUCT OF THE 3M CORP.

ILLUSTRATION

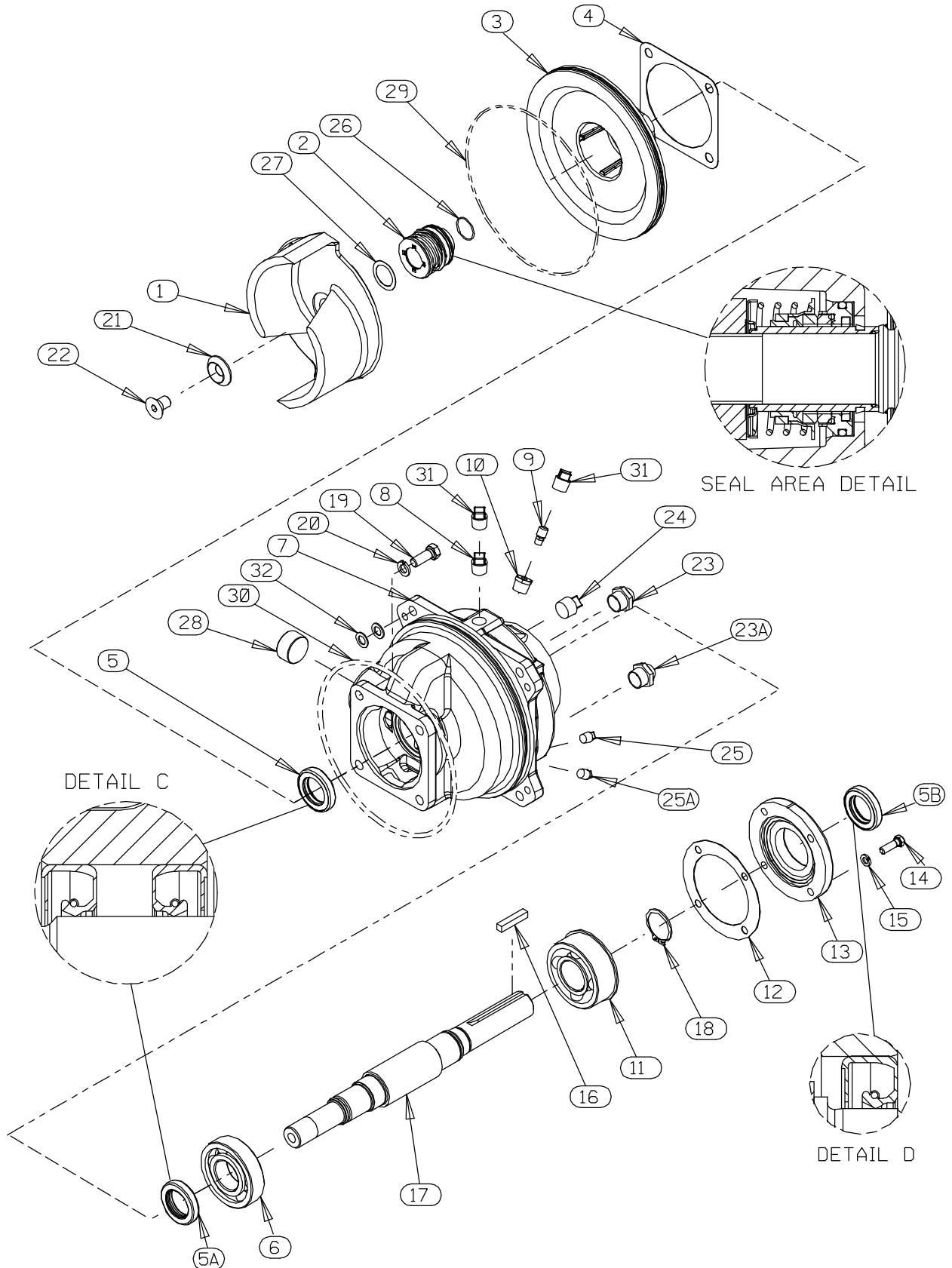


Figure 2. Repair Rotating Assemblies

PARTS LIST

Repair Rotating Assemblies

Note: Order complete Repair Rotating Assemblies for /WW model from the Pump Model Assembly Parts List on page E-3. Repair Rotating Assemblies for /WW models include all of the standard parts listed below.

ITEM NO.	PART NAME	PART NUMBER	QTY	ITEM NO.	PART NAME	PART NUMBER	QTY
1 *	IMPELLER	10528 11010	1	25	BRG CVTY DRAIN PLUG	P04 15079	1
2 *	CART SEAL ASSY	46513-150	1	25A	SEAL CVTY DRAIN PLUG	P04 15079	1
	*/WWS MECH SEAL ASSY	12364D	1	26	SHAFT SLEEVE O-RING	25154-022	REF
3	SEAL PLATE	38272-234 10010	1	27	IMP ADJ SHIM SET	37J 17090	REF
4 *	GASKET	10959G 20000	1	28	PIPE PLUG	PC20 10009	1
5 *	OIL SEAL	S1352	1	29 *	O-RING	25152-273	1
5A *	OIL SEAL	S1352	1	30 *	O-RING	S1674	1
5B *	OIL SEAL	S1352	1	31	SHIPPING PLUG	11495B 15079	2
6 *	BALL BEARING	S1088	1	32	ROT ASSY ADJ SHIM	13130-3 17040	8
7	BEARING HOUSING	38251-411 10000	1	NOT SHOWN:			
8	VENTED PIPE PLUG	4823A 15079	1		S/N PLATE	2613GG 13990	1
9	VENT	S1530	1		DRIVE SCREW	BM#04-03 17000	2
10	RED PIPE BUSHING	AP0802 15079	1		ROTATION DECAL	2613M	1
11 *	BALL BEARING	S375	1		INSTRUCTION TAG	6588U	1
12 *	GASKET	38683-271 18000	1	OPTIONAL:			
13	BEARING CAP	38322-220 10000	1	STAINLESS STEEL PARTS:			
14	HEX HEAD CAP SCREW	B0605 15991	4		SEAL PLATE	38272-234 1718H	1
15	LOCK WASHER	J06 15991	4		CART SEAL ASSY	46513-156	1
16 *	KEY	N0608 15990	1		IMPELLER WASHER	31167-029 1706H	1
17 *	IMPELLER SHAFT	38514-817 16040	1		IMP CAPSCREW	F1004S 1704G	1
	*/WWS IMPELLER SHAFT	38514-819 1706H	1		MECH SEAL ASSY	46512-074	1
18	RETAINING RING	S442	1	†	MECHANICAL SEAL		
19	HEX HEAD CAP SCREW	B0805-1/2 15991	4		SHAFT SLEEVE	11876A 1706H	1
20	LOCK WASHER	J08 15991	4	† ★	AFLAS SEAL	46512-194	1
21 *	IMPELLER WASHER	31167-029 16000	1	†	METAL BELLOWS MECH SEAL ASSY		
22 *	IMPELLER SCREW	F1004S 1500G	1	✓	-VITON OR EQUAL	46512-147	1
23	SEAL CVTY SIGHT GAUGE	S1471	1	✓	-KALREZ	46512-142	1
23A	BRG CVTY SIGHT GAUGE	S1471	1		BEARING HSG O-RING:		
24	PIPE PLUG	P12 15079	1	★	-AFLAS	25150-409	1
				✓	-VITON	25154-449	1

* INDICATES PARTS RECOMMENDED FOR STOCK

† OPTIONAL MECHANICAL SEAL(S) MUST BE USED WITH MECHANICAL SEAL SHAFT SLEEVE OR SOLID SST SHAFT.
 ✓ KALREZ® AND VITON™ ARE REGISTERED TRADEMARKS OF THE DUPONT CORP.

★ AFLAS® IS A REGISTERED TRADEMARK OF THE 3M CORP.