

ILLUSTRATION

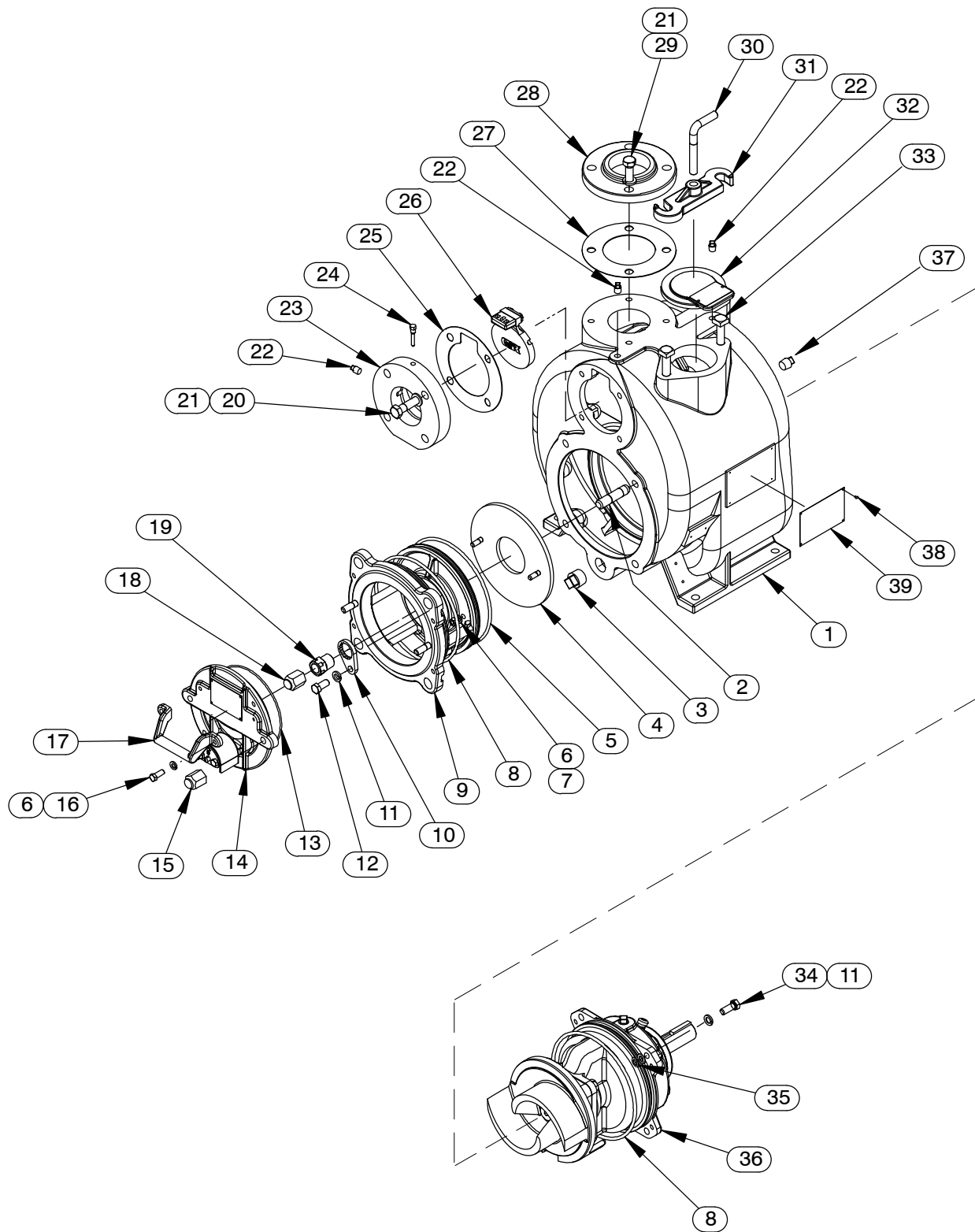


Figure 1. Pump Model T3A65S-B, Including /F, /FM

PARTS LIST

Pump Model T3A65S-B, Including /F, /FM

(From S/N 1736173 Up)

If your pump serial number is followed by an "N", your pump is **NOT** a standard production model. Contact the Gorman-Rupp Company to verify part numbers.

ITEM NO.	PART NAME	PART NUMBER	QTY	ITEM NO.	PART NAME	PART NUMBER	QTY
1	PUMP CASING	SEE NOTE BELOW	1	39	NAMEPLATE BLANK	38819-002 17040	1
2	STUD	C1213 1706G	4	NOT SHOWN:			
3	PIPE PLUG	P16 17090	1		SUCTION STICKER	6588AG	1
4 *	WEAR PLATE ASSY	11407A 1718H	1		FILL TO PRIME STICKER	6588AH	1
5 *	O-RING	25154-446	1		SUPER "T" DECAL	38812-089	1
6	LOCK WASHER	J06 17090	4		G-R DECAL	GR-03	1
7	HEX NUT	D06 17090	2		INSTRUCTION TAG	38817-023	1
8 *	O-RING	25154-447	2		INSTRUCTION TAG	38817-011	1
9	BACK COVER ASSY	42111-843	1		WARNING DECAL	2613FE	1
10	LOCK COLLAR	38115-551 17040	4		ROTATION DECAL	2613M	1
11	LOCK WASHER	J08 17090	8		LUBRICATION DECAL	38817-084	1
12	HEX HEAD CAP SCREW	B0804-1/2 17090	4		DISCHARGE STICKER	6588BJ	1
13 *	O-RING	25154-262	1	OPTIONAL:			
14	INSPECT COVER ASSY	42111-459	1	▶ SELF CLEANING			
	-WARNING PLATE	2613EV 17090	1		WEAR PLATE	46451-765 1718H	1
	-DRIVE SCREW	BM#04-03 17090	4		DISASSEMBLY TOOL	48711-020	1
	* -PRESSURE RELIEF VLV	46431-803	1		/F FLANGE KIT	48213-068	1
15	BACK COVER NUT	31871-075 17040	2		-SUCTION	11412A 17180	1
16	HEX HEAD CAP SCREW	B0604 17090	2		-DISCHARGE	10845 17180	1
17	HANDLE	12354 17040	1		/FM METRIC FLANGES:		
18	BACK COVER NUT	31871-073 17040	4		-SUCTION	38642-208 17180	1
19	ADJUSTING SCREW	31871-070 1704G	4		-DISCHARGE	38642-209 17180	1
20	HEX HEAD CAP SCREW	B1009 17090	4		BACK CVR & BRG HOUSING O-RINGS:		
21	LOCK WASHER	J10 17090	8	★	-AFLAS	25150-411	1
22	PIPE PLUG	P04 17090	3	✓	-VITON	25154-447	1
23	SUCTION FLANGE	11412 17180	1		-EPDM	25150-921	1
24	CHECK VALVE PIN	11557A 17040	1		-NEOPRENE	25151-447	1
25 *	SUCT FLANGE GASKET	11412G 19410	1		CHECK VALVE ASSY:		
26 *	FLAP VALVE ASSY	46411-100	1		-NEO SOLID TYPE	46411-043	1
27 *	GASKET	1674GC 19410	1	✓	-VITON SOLID	46411-086	1
28	DISCHARGE FLANGE	1753A 17070	1		-BUNA-N	46411-102	1
29	HEX HEAD CAP SCREW	B1007 17090	4		-EPDM	46411-120	1
30	SCREW-CLAMP BAR	31912-009 1704G	1		CASING HEATERS:		
31	CLAMP BAR	38111-004 17040	1		-120V	47811-078	1
32	FILL COVER PLATE ASSY	42111-385	1		-240V	47811-079	1
	-WARNING PLATE	38816-097 17090	1		HI TEMP SHUT-DOWN KITS:		
	-DRIVE SCREW	BM#04-03 17090	2		-145°F	48313-186	1
	* -COVER GASKET	50G 19210	1		-130°F	48313-256	1
33	MACHINE BOLT	A1014 17090	2		-120°F	48313-257	1
34	HEX HEAD CAP SCREW	B0805-1/2 17090	4		HI TEMP SHUT-DOWN THERMOSTAT KIT:		
35	ADJ SHIM	13130-3 17040	8		-145°F	48313-172	1
36	REPAIR ROTATING ASSY	44163-318	1		AIR RELEASE VALVES:		
37	PIPE PLUG	P08 17090	1		-10# COMP SPRING	GRP33-07A	1
38	DRIVE SCREW	BM#04-03 17090	4		-25# COMP SPRING	GRP33-07	1
					-80# COMP SPRING	GRP33-07B	1
					AIR REL VALVE MNTG KIT 46331-515 1		

* INDICATES PARTS RECOMMENDED FOR STOCK

☞ INCLUDED WITH REPAIR 46472-725 1
PUMP CASING ASSY

✓ VITON® IS A REGISTERED TRADEMARK OF THE DUPONT CORP
★ AFLAS® IS A PRODUCT OF THE 3M CORP

▶ FOR PUMP RETRO-FITTING, BACK COVER OPENING MUST BE 3.66 INCH DIAMETER - CONSULT FACTORY FOR DETAILS.

ILLUSTRATION

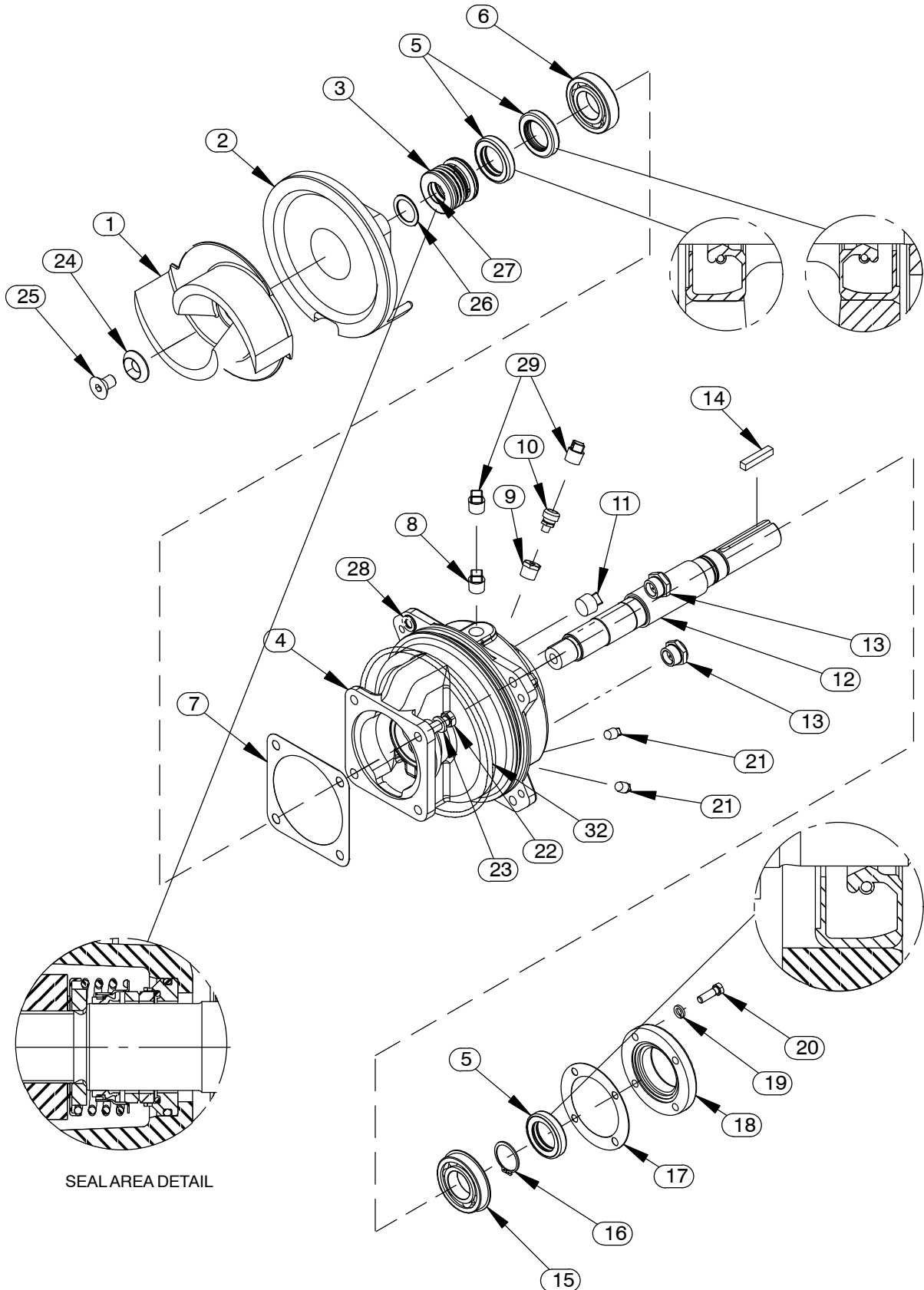


Figure 2. Repair Rotating Assembly

PARTS LIST

Repair Rotating Assembly

ITEM NO.	PART NAME	PART NUMBER	QTY	ITEM NO.	PART NAME	PART NUMBER	QTY
1	IMPELLER	11406 1718H	1	25	FH SOCKET SCREW	F1004S 1704G	1
2	SEAL PLATE	11837D 1718H	1	26 *	ADJ SHIM SET	37J 17090	1
3 *	SEAL ASSEMBLY	46512-074	1	27 *	SEAL SPACER WASHER	38329-040 17130	1
4	BEARING HOUSING	38251-414 17180	1	28	ADJ SHIM	13130-3 17040	8
5 *	OIL SEAL	S1352	3	29	SHIPPING PLUG	11495B 15079	2
6 *	BALL BEARING	23252-013	1	30	ASSEMBLY PLATE	2613GG 17020	1
7 *	GASKET	10959G 19410	1	31	DRIVE SCREW	BM#04-03 17000	2
8	VENTED PIPE PLUG	4823A 17040	1	32	O-RING	25154-447	1
9	REDUCER PIPE BUSHING	AP0802 17040	1	NOT SHOWN:			
10	VENT	26717-006	1		ROTATION DECAL	2613M	1
11	PIPE PLUG	P12 17090	1		INSTRUCTION TAG	6588U	1
12 *	IMPELLER SHAFT	38514-564 1706H	1	OPTIONAL:			
13	SIGHT GAUGE	26714-021	2		IMP CLEAN-OUT KIT	48783-008	1
14 *	KEY	N0608 17040	1		PERMALON COATED SEAL	46512-150	1
15 *	BALL BEARING	S1749	1	† ★	AFLAS SEAL	46512-194	1
16	SNAP RING	S244	1		SEAL PLATE	38272-240 1718H	1
17 *	BEARING CAP GASKET	38683-268 19410	1	†	-METAL BELLOWS MECH SEAL ASSY		
18	BEARING CAP	38322-219 17040	1	✓	(VITON OR EQUAL)	46512-147	1
19	LOCK WASHER	J06 17090	4	†	-METAL BELLOWS MECH SEAL ASSY		
20	HEX HEAD CAP SCREW	B0605 17090	4	✓	(KALREZ)	46512-142	1
21	PIPE PLUG	P04 17090	2	BACK CVR & BRG HOUSING O-RINGS:			
22	HEX HEAD CAP SCREW	B0805 17090	4	★	-AFLAS	25150-411	1
23	LOCK WASHER	J08 17090	4	✓	-VITON	25154-447	1
24	IMPELLER WASHER	31167-029 1706H	1		-EPDM	25150-921	1
					-NEOPRENE	25151-447	1

* INDICATES PARTS RECOMMENDED FOR STOCK

† OPTIONAL MECHANICAL SEAL(S) MUST BE USED WITH MECHANICAL SEAL SHAFT SLEEVE OR SOLID SST SHAFT.

✓ KALREZ® AND VITON™ ARE REGISTERED TRADEMARKS OF THE DUPONT CORP.

★ AFLAS® IS A REGISTERED TRADEMARK OF THE 3M CORP.