

ILLUSTRATION

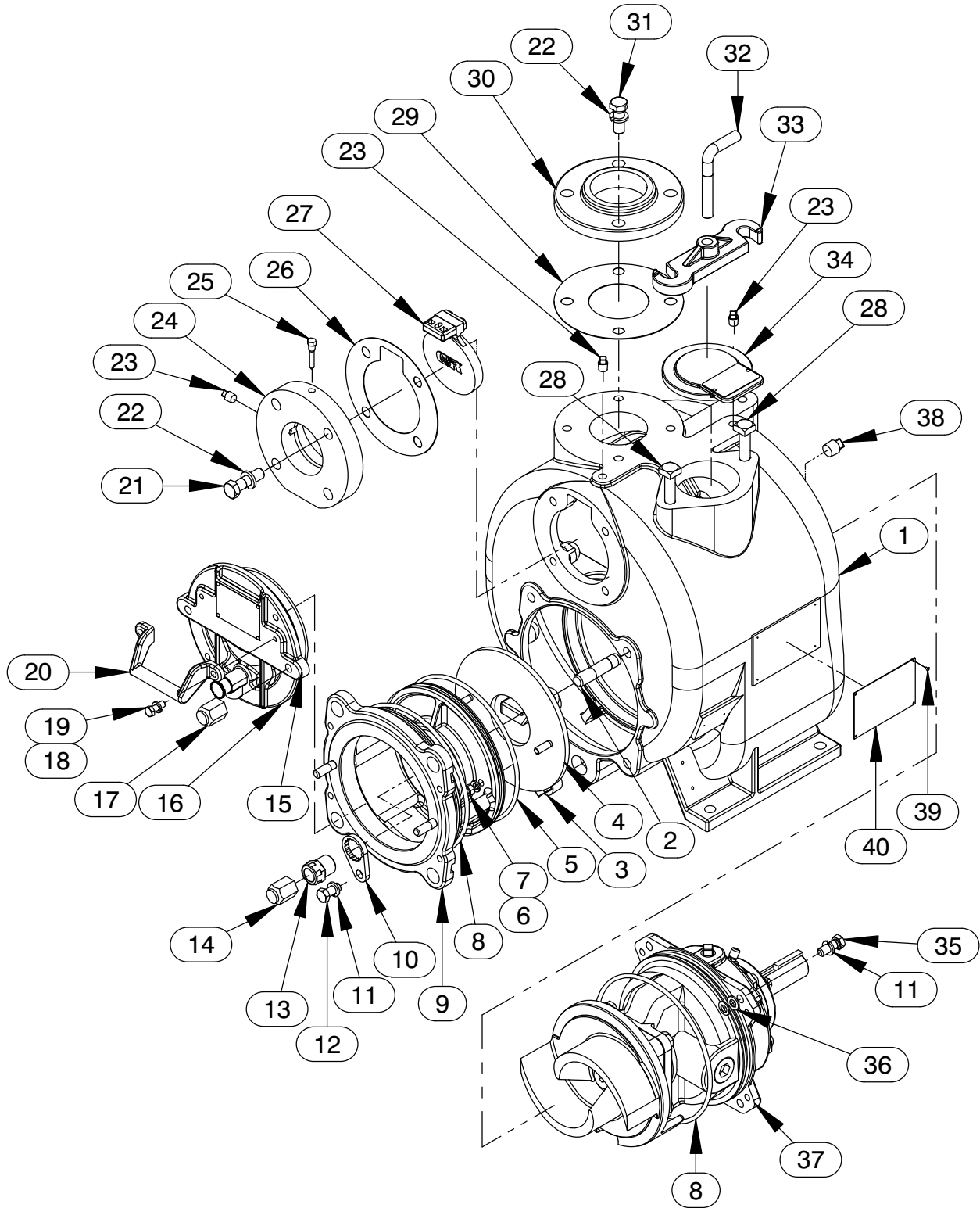


Figure 1. Pump Model T3A3S-B, Including /F, /FM, /WW, /WWS

## PARTS LIST

### Pump Model T3A3S-B, Including /F, /FM, /WW, /WWS

(From S/N 1708473 Up)

If your pump serial number is followed by an "N", your pump is **NOT** a standard production model. Contact the Gorman-Rupp Company to verify part numbers.

ITEM NO.	PART NAME	PART NUMBER	QTY	ITEM NO.	PART NAME	PART NUMBER	QTY
1	REPAIR PUMP CASING ASSY	SEE NOTE BELOW	1		-T3A3S-B /WWS	44163-270	1
2	STUD	C1213 15991	4	38	PIPE PLUG	P08 15079	1
3	PIPE PLUG	P16 10009	1	39	DRIVE SCREW	BM#04-03 17000	4
4 *	WEAR PLATE ASSEMBLY	11407A 15990	1	40	NAMEPLATE	38819-002 13000	1
5 *	O-RING	25152-446	1	NOT SHOWN:			
6	LOCK WASHER	J06 17090	2		LUBRICATION DECAL	38817-084	1
7	HEX NUT	D06 17090	2		SUCTION STICKER	6588AG	1
8 *	O-RING	S1748	2		FILL HERE TO PRIME DECAL	6588AH	1
9	BACK COVER ASSEMBLY	42111-836	1		DISCHARGE STICKER	6588BJ	1
10	LOCK COLLAR	38115-551 15001	4		SUPER "T" DECAL	38812-089	1
11	LOCK WASHER	J08 15991	8		G-R DECAL	GR-03	1
12	HEX HEAD CAP SCREW	B0804-1/2 15991	4		INSTRUCTION TAG	38817-023	1
13	ADJUSTING SCREW	31871-070 1500G	4		INSTRUCTION TAG	38817-011	1
14	BACK COVER NUT	31871-073 15000	4		WARNING DECAL	2613FE	1
15*	O-RING	S1472	1		ROTATION DECAL	2613M	1
16	INSPECTION COVER ASSY	42111-451	1	OPTIONAL:			
	-WARNING PLATE	2613EV 13990	1		DISASSEMBLY TOOL	48711-020	1
	-DRIVE SCREW	BM#04-03 17000	4		/F FLANGE KIT	48213-040	1
	-WARNING DECAL	38816-302	1		-SUCTION FLG	11412A 10010	1
	-PRESS RELIEF VALVE	26662-005	1		-DISCHARGE FLG	10845 10010	1
17	BACK COVER NUT	31871-075 15000	2		O-RINGS (S1748):		
18	LOCK WASHER	J06 15991	2	★	-AFLAS®	25150-411	1
19	HEX HEAD CAP SCREW	B0604 15991	2	✓	-VITON™	25154-447	1
20	HANDLE	12354 13010	1		-EPDM	25150-921	1
21	HEX HEAD CAP SCREW	B1009 15991	4		-NEOPRENE	25151-447	1
22	LOCK WASHER	J10 15991	8	CASING HEATERS:			
23	PIPE PLUG	P04 15079	3		-120V	47811-078	1
24	SUCTION FLANGE	11412 10010	1		-240V	47811-079	1
25	CHECK VALVE PIN	11557A 17010	1	CHECK VALVE ASSYS:			
26*	SUCTION FLANGE GASKET	11412G 19370	1		-NEO SOLID TYPE	46411-043	1
27*	3" FLAP VALVE ASSY	46411-060	1	✓	-VITON SOLID	46411-086	1
28	MACHINE BOLT	A1014 15991	2	✓	-VITON BLOW-OUT	46411-074	1
29*	GASKET	25113-033	1		-BUNA-N	46411-102	1
30	FLANGE	1753A 10010	1		-EPDM	46411-120	1
31	HEX HEAD CAP SCREW	B1007 15991	4	PRESS RELIEF VALVES:			
32	SCREW-CLAMP BAR	31912-009 15000	1		-STAINLESS STEEL	46431-803	1
33	CLAMP BAR	38111-004 11010	1	HI TEMP SHUT-DOWN KITS:			
34	FILL COVER PLATE ASSY	42111-344	1		-145°F	48313-186	1
	-WARNING PLATE	38816-097 13990	1		-130°F	48313-256	1
	-DRIVE SCREW	BM#04-03 17000	2		-120°F	48313-257	1
	-COVER GASKET	50G 19210	1		HI TEMP SHUT-DOWN	48313-172	1
35	HEX HEAD CAP SCREW	B0805-1/2 15991	4	THERMOSTAT KITS 145°F			
36	ADJ SHIM	13130-3 17040	8	AIR RELEASE VALVES:			
37	REPAIR ROTATING ASSY				-10# COMP SPRING	GRP33-07A	1
	-T3A3S-B, /F, /FM	44163-259	1		-25# COMP SPRING	GRP33-07	1
	-T3A3S-B /WW	44163-304	1		-80# COMP SPRING	GRP33-07B	1
					A/R VALVE MOUNT KIT	46331-515	1

\* INDICATES PARTS RECOMMENDED FOR STOCK

INCLUDED WITH REPAIR 46472-720 1  
PUMP CASING ASSY

✓ VITON® IS A REGISTERED TRADEMARK OF THE DUPONT CORP  
★ AFLAS® IS A PRODUCT OF THE 3M CORP

ILLUSTRATION

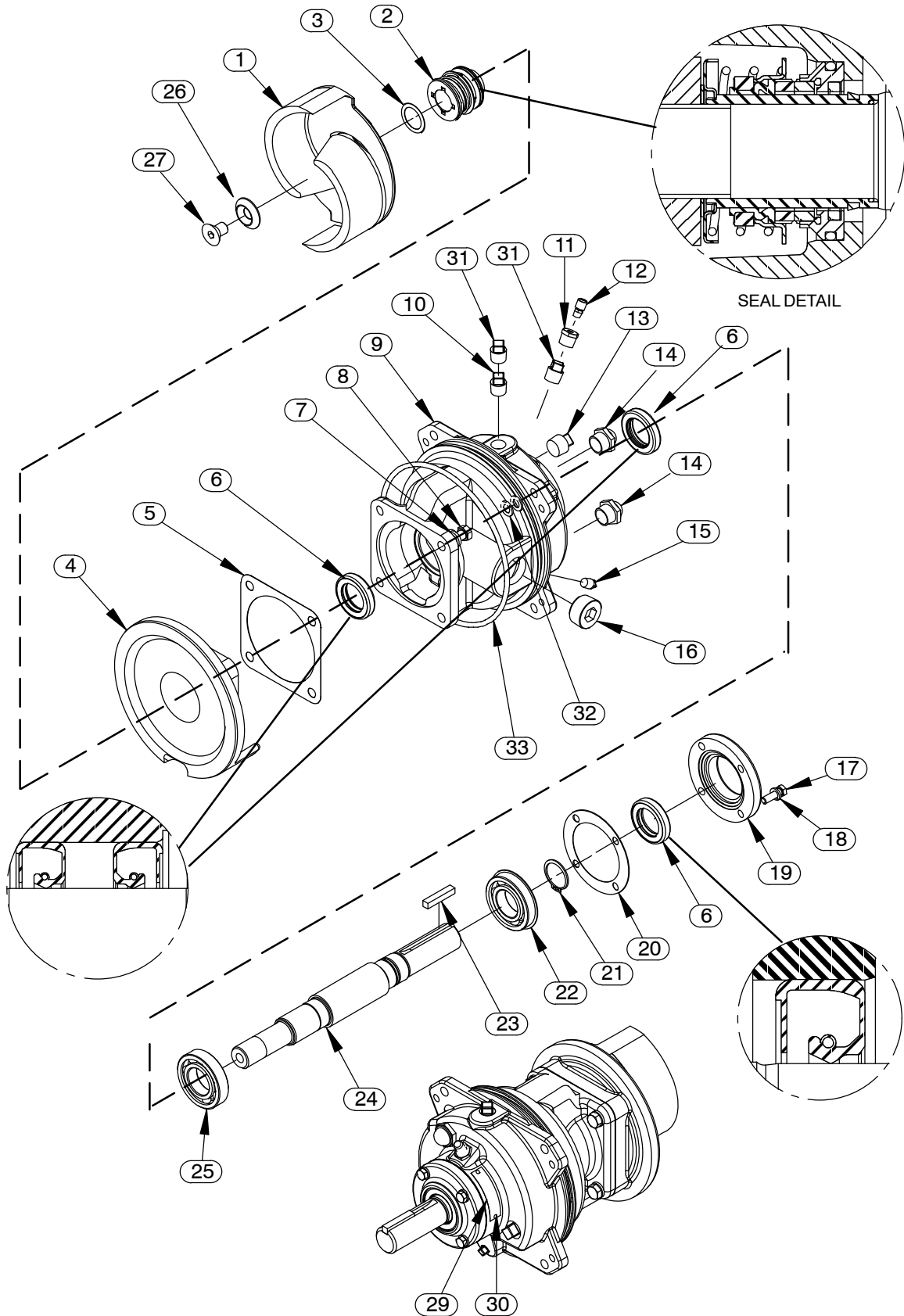


Figure 2. 44163-259 Repair Rotating Assembly

**PARTS LIST**

**44163-259 Repair Rotating Assembly**

**Note:** Order complete Repair Rotating Assemblies for /WW and /WWS models from the Pump Model Assembly Parts List on page E-3. Repair Rotating Assemblies for /WW models include all of the standard parts listed below. Repair Rotating Assemblies for /WWS models include the stainless steel shaft, spacer washer, and seal assembly listed below under STAINLESS STEEL PARTS. All other parts are the same as the standard model.

ITEM NO.	PART NAME	PART NUMBER	QTY	ITEM NO.	PART NAME	PART NUMBER	QTY
1	IMPELLER	11406 11010	1		NOT SHOWN:		
2 *	SEAL ASSY	46513-150	1		ROTATION DECAL	2613M	1
3	ADJ. SHIM SET	37J 17090	1		INSTRUCTION TAG	6588U	1
4	SEAL PLATE	11837D 10010	1		OPTIONAL:		
5 *	GASKET	10959G 20000	1		G-R HARD IRON PARTS:		
6 *	OIL SEAL	S1352	3		IMPELLER	11406 1102H	1
7	LOCK WASHER	J08 15991	4		SEAL PLATE	11837D 1102H	1
8	HEX HEAD CAP SCREW	B0805 15991	4		VOLUTE	11405D 1102H	1
9	BEARING HOUSING	38251-410 10010	1		/WWS STAINLESS STEEL PARTS:		
10	VENTED PIPE PLUG	4823A 15079	1		IMP SHAFT		
11	REDUCER PIPE BUSHING	AP0802 15079	1		(LESS SLEEVE)	38514-564 1706H	1
12	AIR VENT	S1530	1		SPACER WASHER		
13	PIPE PLUG	P12 15079	1		(FOR SST SHAFT)	38329-040 17130	1
14	SIGHT GAUGE	S1471	2		IMPELLER WASHER	31167-029 1706H	1
15	PIPE PLUG	P04 15079	2		IMP CAPSCREW	F1004S 1704G	1
16	SOC HD PIPE PLUG	PC20 10009	1		SEAL ASSEMBLY	12364D	1
17	HEX HEAD CAP SCREW	B0605 15991	4		OTHER STAINLESS STEEL PARTS:		
18	LOCK WASHER	J06 15991	4		SEAL PLATE	38272-240 1718H	1
19	BEARING CAP	38322-219 10010	1		SST CART. SEAL ASSY	46513-157	1
20 *	GASKET	38683-268 18000	1		IMPELLER SHAFT	38514-563 1706H	1
21	SNAP RING	S244	1		ROTATING ASSEMBLY O-RINGS		
22 *	BALL BEARING	S1749	1		★ -AFLAS	25150-411	1
23 *	SHAFT KEY	N0608 15990	1		✓ -VITON	25154-447	1
24 *	IMPELLER SHAFT	38514-563 16040	1		-EPDM	25150-921	1
25 *	BALL BEARING	23252-013	1		-NEOPRENE	25151-447	1
26	IMPELLER WASHER	31167-029 16000	1		† STD MECHANICAL		
27	FLAT HD SOCKET SCREW	F1004S 1500G	1		SEAL ASSEMBLY	12364A	1
28 *	O-RING	25154-022	REF		† MECHANICAL SEAL		
29	ASSEMBLY PLATE	2613GG 13990	1		SHAFT SLEEVE	11876A 16000	1
30	DRIVE SCREW	BM#04-03 17000	2		SST SHAFT SLEEVE	11876A 1706H	1
31	SHIPPING PLUG	11495B 15079	2		† ★ AFLAS SEAL	46512-194	1
32	SHIM SET	13130-3 17040	8		† METAL BELLOWS MECH SEAL ASSY		
33 *	O-RING	S1748	1		✓ (VITON OR EQUAL)	46512-147	1
					† METAL BELLOWS MECH SEAL ASSY		
					✓ (KALREZ)	46512-142	1

\* INDICATES PARTS RECOMMENDED FOR STOCK

† OPTIONAL MECHANICAL SEAL(S) MUST BE USED WITH MECHANICAL SEAL SHAFT SLEEVE OR SOLID SST SHAFT.

✓ KALREZ® AND VITON™ ARE REGISTERED TRADEMARKS OF THE DUPONT CORP.

★ AFLAS® IS A REGISTERED TRADEMARK OF THE 3M CORP.