

ILLUSTRATION

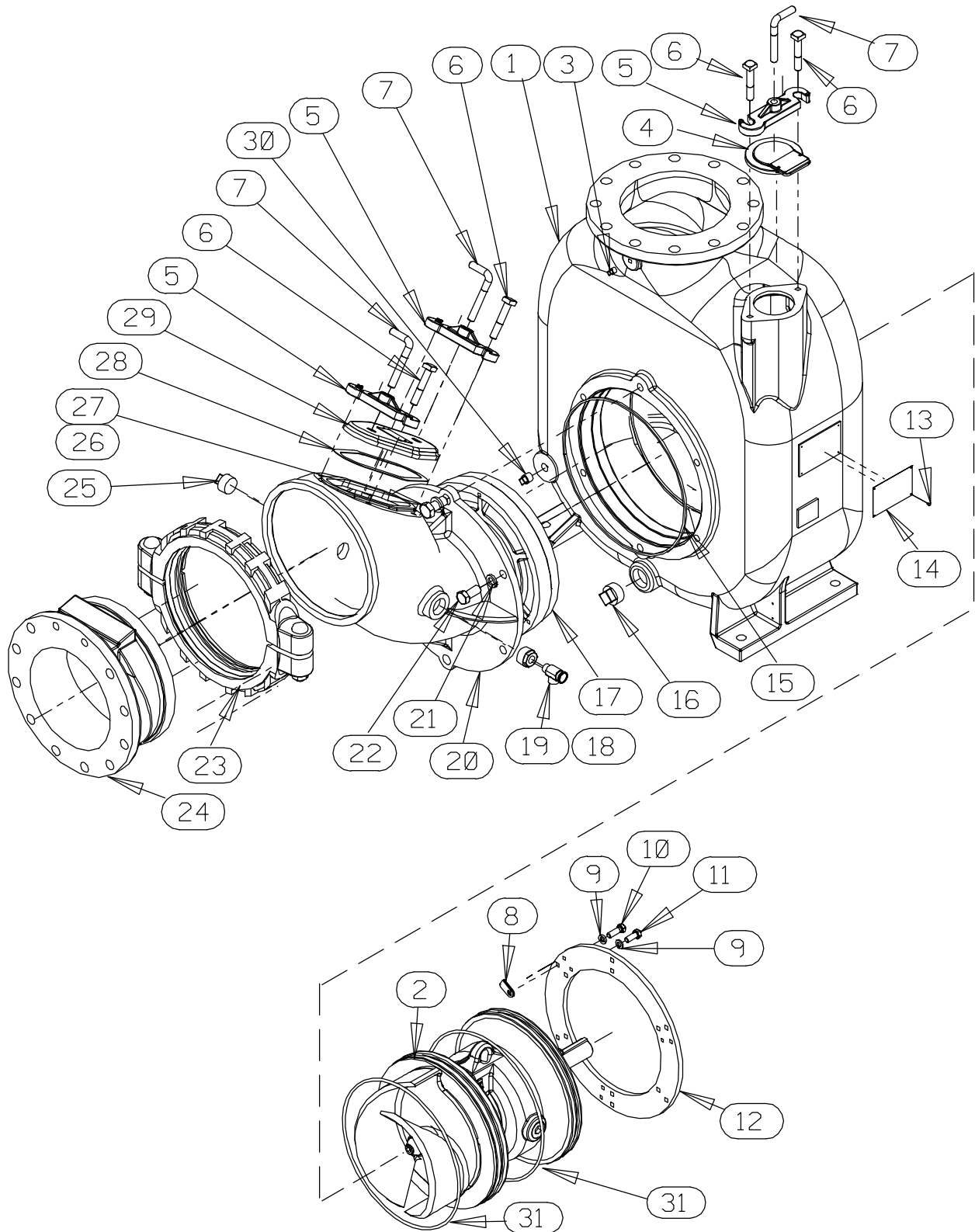


Figure E-1. Pump Model T10A3S-B, Including /FM, /WW

**Pump Model T10A3S-B, Including /FM, /WW  
PARTS LIST  
(From S/N 1242214 Up)**

If your pump serial number is followed by an "N", your pump is **NOT** a standard production model. Contact the Gorman-Rupp Company to verify part numbers.

ITEM NO.	PART NAME	PART NUMBER	QTY	ITEM NO.	PART NAME	PART NUMBER	QTY
☞ 1	PUMP CASING	SEE NOTE BELOW	1	27	HEX HEAD CAP SCREW	B1408 15991	2
2	REPAIR ROTATING ASSY	44163-311	1	28 *	CLEANOUT CVR GASKET	38688-008 20000	1
	/WW REPAIR ROT ASSY	44163-312	1	29	CLEANOUT CVR ASSY	48271-018	1
☞ 3	PIPE PLUG	P04 15079	1		-WARNING PLATE	38816-097 13990	1
4	FILL COVER PLATE ASSY	42111-344	1		-DRIVE SCREW	BM#04-03 17000	1
	-WARNING PLATE	38816-097 13990	1		-WARNING DECAL	2613FE	1
	-DRIVE SCREW	BM#04-03 17000	2	☞30	PIPE PLUG	P08 15079	1
	-FILL COVER GASKET	50G 19210	1	31 *	O-RING	S1914	2
5	CLAMP BAR	38111-004 11010	3	NOT SHOWN:			
☞ 6	MACHINE BOLT	A1014 15991	6		DISCHARGE STICKER	6588BJ	1
7	CLAMP BAR SCR	31912-009 15000	3		PRIMING STICKER	6588AH	1
8	SHIM SET	48261-056	6		LUBRICATION DECAL	38817-084	1
9	LOCK WASHER	J08 15991	12		INSTR LABEL	2613DK	1
10	HEX HEAD CAP SCREW	B0806 15991	6		WARNING DECAL	2613FE	1
11	HEX HEAD CAP SCREW	B0805 15991	6		WARNING DECAL	38816-302	1
12	CASING RING	31281-016 15990	1		G-R DECAL 6 IN	GR-06	1
13	DRIVE SCREW	BM#04-03 17000	4		INSTRUCTION TAG	38817-011	1
14	NAME PLATE	38819-002 13000	1		SUPER "T" DECAL	38812-089	1
15 *	SUCT HEAD O-RING	25152-704	1		SUCTION STICKER	6588AG	1
☞16	CASING DRAIN PLUG	P24 10009	1		ROTATION DECAL	2613M	1
17 *	WEAR PLATE	38691-826 11010	1		INSTRUCTION TAG	38817-025	1
18 *	PRESS RELIEF VALVE	26662-005	1	OPTIONAL:			
19	RED PIPE BUSHING	AP2008 11999	1		DISASSEMBLY TOOL	12858	1
20	SUCTION HEAD	38246-609 10010	1		ASTL WEAR PLATE	46451-750 24160	1
21	LOCK WASHER	J12 15991	4		ADI WEAR PLATE	38691-826 1102H	1
22	HEX HEAD CAP SCREW	B1207 15991	4		ASA DISCH SPOOL FLG	38642-607 10000	1
23	SHOULDER TYPE CPLG	25552-213	1		/FM METRIC FLANGE KIT	48213-084	1
24	CV HOUSING ASSY (SAE)	46421-037	1		CASING HEATERS:		
	-CHECK VALVE BODY	38341-805 10010	1		-120V	47811-014	1
	-PIPE PLUG	P08 15079	1		-240V	47811-015	1
	* -CHECK VALVE	46411-082 24010	1		CHECK VALVE ASSYS:		
	-PIVOT CAP	38141-003 11060	2	✓	-VITON MOLDED	46411-081	1
	-HEX HD CAPSCREW	B0606 17000	2		PRESSURE RELIEF VALVES:		
	-LOCKWASHER	AK06 17000	2		-BRASS SEWAGE TYPE	46431-803	1
	-FLAT WASHER	KB08 17090	2		-STAINLESS STEEL	26662-101	1
24	CV HSG ASSY (METRIC)	46421-094	1		HI TEMP SHUT-DOWN KITS:		
	-CHECK VALVE BODY	38341-808 10000	1		-145°F	48313-186	1
	-PIPE PLUG	P08 15079	1		-130°F	48313-256	1
	* -CHECK VALVE	46411-082 24010	1		-120°F	48313-257	1
	-PIVOT CAP	38141-003 11060	2		HT SHUT DOWN	48313-172	1
	-HEX HD CAPSCREW	B0606 17000	2		AIR RELEASE VALVES:		
	-LOCKWASHER	AK06 17000	2		-10# COMP SPRING	GRP33-07A	1
	-FLAT WASHER	KB08 17090	2		-25# COMP SPRING	GRP33-07	1
25	PIPE PLUG	P20 10009	1		-80# COMP SPRING	GRP33-07B	1
26	LOCK WASHER	J14 15991	2		SEAL PLATE/BRG HOUSING O-RING:		
				✓	-VITON	25154-458	2

\* INDICATES PARTS RECOMMENDED FOR STOCK

☞ INCLUDED WITH REPAIR 46472-709 1  
PUMP CASING ASSY

† OPTIONAL MECHANICAL SEAL(S) **MUST** BE USED WITH MECHANICAL SEAL SHAFT SLEEVE OR SOLID SST SHAFT.

✓ KALREZ® AND VITON™ ARE PRODUCTS OF THE DUPONT CORP  
★ AFLAS® IS A PRODUCT OF THE 3M CORP

**COMPLETE GASKET/O-RING AND SHAFT REPAIR KITS AVAILABLE – CONSULT FACTORY.**

ILLUSTRATION

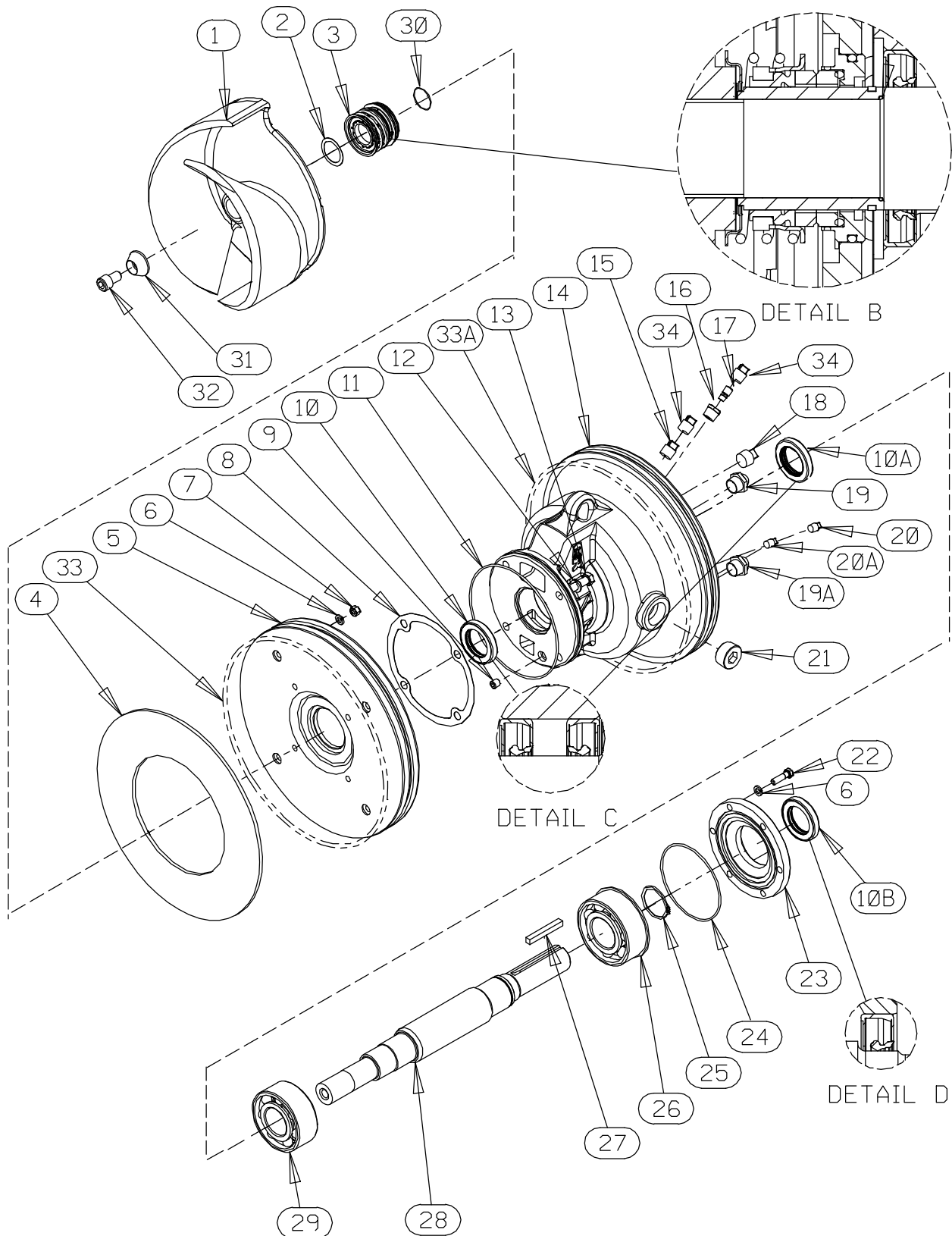


Figure E-2. Repair Rotating Assemblies

## PARTS LIST

### Repair Rotating Assemblies

**Note:** Order a complete Repair Rotating Assembly for /WW model from the Pump Model Assembly Parts List on Page E-3. The Repair Rotating Assembly for /WW models include all of the standard parts listed below.

ITEM NO.	PART NAME	PART NUMBER	QTY	ITEM NO.	PART NAME	PART NUMBER	QTY
1	IMPELLER	38615-014 11010	1	30 *	O-RING	25154-026	1
2	ADJ SHIM SET	5091 17090	1	31	IMPELLER WASHER	10278 15030	1
3 *	CART SEAL ASSY	46513-153	1	32	SOCK HD CAP SCREW	DM1004S 15991	1
4 *	WEAR PLATE ASSY	46451-722 24150	1	33 *	O-RING	S1914	1
5	SEAL PLATE	38272-423 10010	1	33A *	O-RING	S1914	1
6	LOCK WASHER	J06 15991	10	34	SHIPPING PLUG	11495B 15079	2
7	HEX NUT	D06 15991	4	NOT SHOWN:			
8 *	GASKET	38684-302 19140	1		S/N PLATE	2613GG 13990	1
9	SOC HD PIPE PLUG	PC04 15079	1		DRIVE SCREW	BM#04-03 17000	2
10 *	OIL SEAL	S1917	1		INSTRUCTION TAG	6588U	1
10A *	OIL SEAL	S1917	1		ROTATION DECAL	2613M	1
10B *	OIL SEAL	S1917	1		SHIM SET	48261-056	6
11 *	O-RING	25152-265	1	OPTIONAL:			
12	LOCK WASHER	J08 15991	4		SST IMPELLER	38615-014 17070	1
13	HEX HEAD CAP SCREW	21632-945	4		ADI IMPELLER	38615-014 1102H	1
14	BEARING HOUSING	38251-515 10000	1		ADI SEAL PLATE	38272-423 1102H	1
15	VENTED PIPE PLUG	4823A 15079	1		ASTL WEAR PLATE	46451-750 24160	1
16	REDUCER PIPE BUSHING	AP0802 15079	1	CONTINUOUS VANE PARTS:			
17	AIR VENT	S1530	1		-IMPELLER	38611-024 11010	1
18	PIPE PLUG	P12 15079	1		-WEAR PLATE	38691-867 11010	1
19	SIGHT GAUGE	S1471	2	SEAL PLATE/BRG HOUSING O-RING:			
20	SEAL CVTY DRAIN PLUG	P04 15079	1	✓	-VITON	25154-458	2
20A	BRG CVTY DRAIN PLUG	P04 15079	1	†	METAL BELLOWS MECH SEAL ASSY		
21	SOC HD PIPE PLUG	PC20 10009	1	† ★	AFLAS SEAL	46512-193	1
22	HEX HEAD CAP SCREW	B0605-1/2 15991	6	†	METAL BELLOWS MECH SEAL ASSY		
23	BEARING CAP	38322-415 10010	1	✓	(VITON OR EQUAL)	46512-192	1
24 *	O-RING	S333	1	†	METAL BELLOWS MECH SEAL ASSY		
25	RETAINING RING	S215	1	✓	(KALREZ)	46512-183	1
26 *	BALL BEARING	23422-412	1				
27 *	KEY	N0612 15990	1				
28	IMPELLER SHAFT	38514-566 1706H	1				
29 *	BALL BEARING	23421-461	1				

\* INDICATES PARTS RECOMMENDED FOR STOCK

† OPTIONAL MECHANICAL SEAL **MUST** BE USED WITH MECHANICAL SEAL SHAFT SLEEVE OR /WWS SOLID SST SHAFT.

✓ KALREZ® AND VITON™ ARE PRODUCTS OF THE DUPONT CORP

★ AFLAS® IS A PRODUCT OF THE 3M CORP

**COMPLETE GASKET/O-RING AND SHAFT REPAIR KITS AVAILABLE – CONSULT FACTORY.**