

ILLUSTRATION

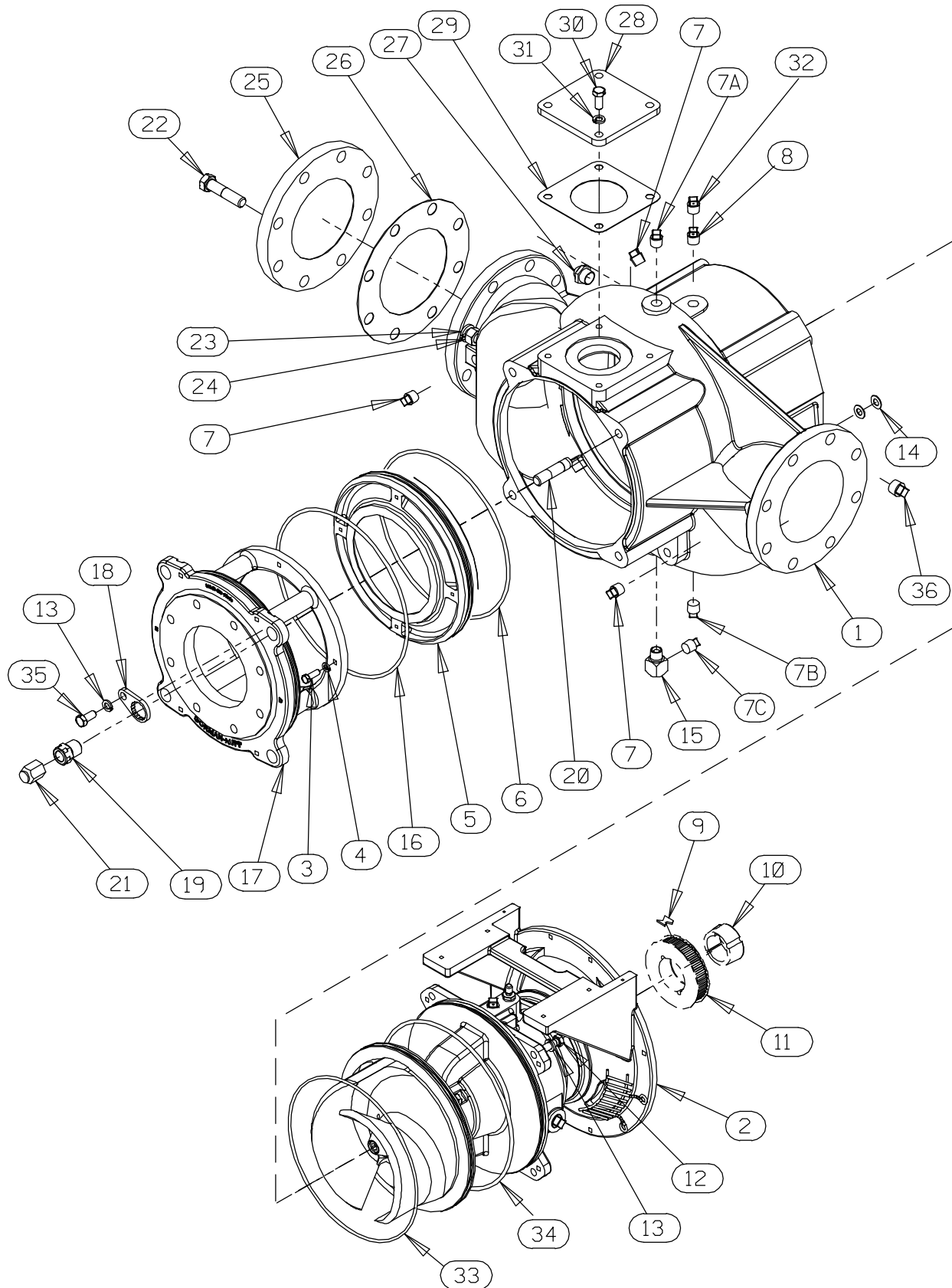


Figure 4. 66F60C-(SAE 4/10) Pump End Assembly

PARTS LIST
66F60C--(SAE 4/10) Pump End Assembly

ITEM NO.	PART NAME	PART NUMBER	MAT'L CODE	QTY
1	PUMP CASING	38218-303	11010	1
2	REPAIR ROTATING ASSY	44163-445	----	1
3	HEX HEAD CAP SCREW	B0604-1/2	17000	4
4	LOCK WASHER	J06	17090	4
5	* WEAR PLATE	38691-864	11010	1
6	* WEAR PLATE O-RING	25152-453	----	1
7	PIPE PLUG	P08	15079	3
7A	SEAL CAVITY FILL PLUG	P08	15079	1
7B	SEAL CAVITY DRAIN PLUG	P08	15079	1
7C	PUMP CASING DRAIN PLUG	P08	15079	1
8	VENTED PIPE PLUG	4823A	15079	1
9	* SYNCHRONOUS BELT	24186-008	----	1
10	BUSHING	24131-498	----	1
11	SPROCKET	24271-112	----	1
12	HEX HEAD CAP SCREW	B0806	15991	4
13	LOCK WASHER	J08	15991	8
14	ROT ASSY ADJ SHIM	13131-3	17040	8
15	STREET ELBOW	25412-004	----	1
16	* BACK COVER PLATE O-RING	S1676	----	1
17	BACK COVER PLATE	38243-468	11010	1
18	LOCK COLLAR	38115-551	15001	4
19	ADJUSTING SCREW	31871-070	1500G	4
20	STUD	C1213	15991	4
21	BACK COVER NUT	31871-073	15000	4
22	HEX HEAD CAP SCREW	B1213	15991	8
23	LOCK WASHER	J12	15991	8
24	HEX NUT	D12	15991	8
25	BLIND FLANGE ASSEMBLY	42111-349	----	1
26	* GASKET	25113-036	----	1
27	SIGHT GAUGE	S1471	----	1
28	NOT USED			
29	NOT USED			
30	NOT USED			
31	NOT USED			
32	SHIPPING PLUG	11495B	15079	1
33	* SEAL PLATE O-RING	25152-381	----	1
34	* BEARING HOUSING O-RING	S1676		1
35	HEX HEAD CAP SCREW	B0804-1/2	15991	4
36	PIPE PLUG	P12	15079	1
NOT SHOWN:				
	DRIVE ASSEMBLY	44162-159	----	1
	NAME PLATE	38818-127	13000	1
	DRIVE SCREW	BM#04-03	17000	4

* INDICATES PARTS RECOMMENDED FOR STOCK

ILLUSTRATION

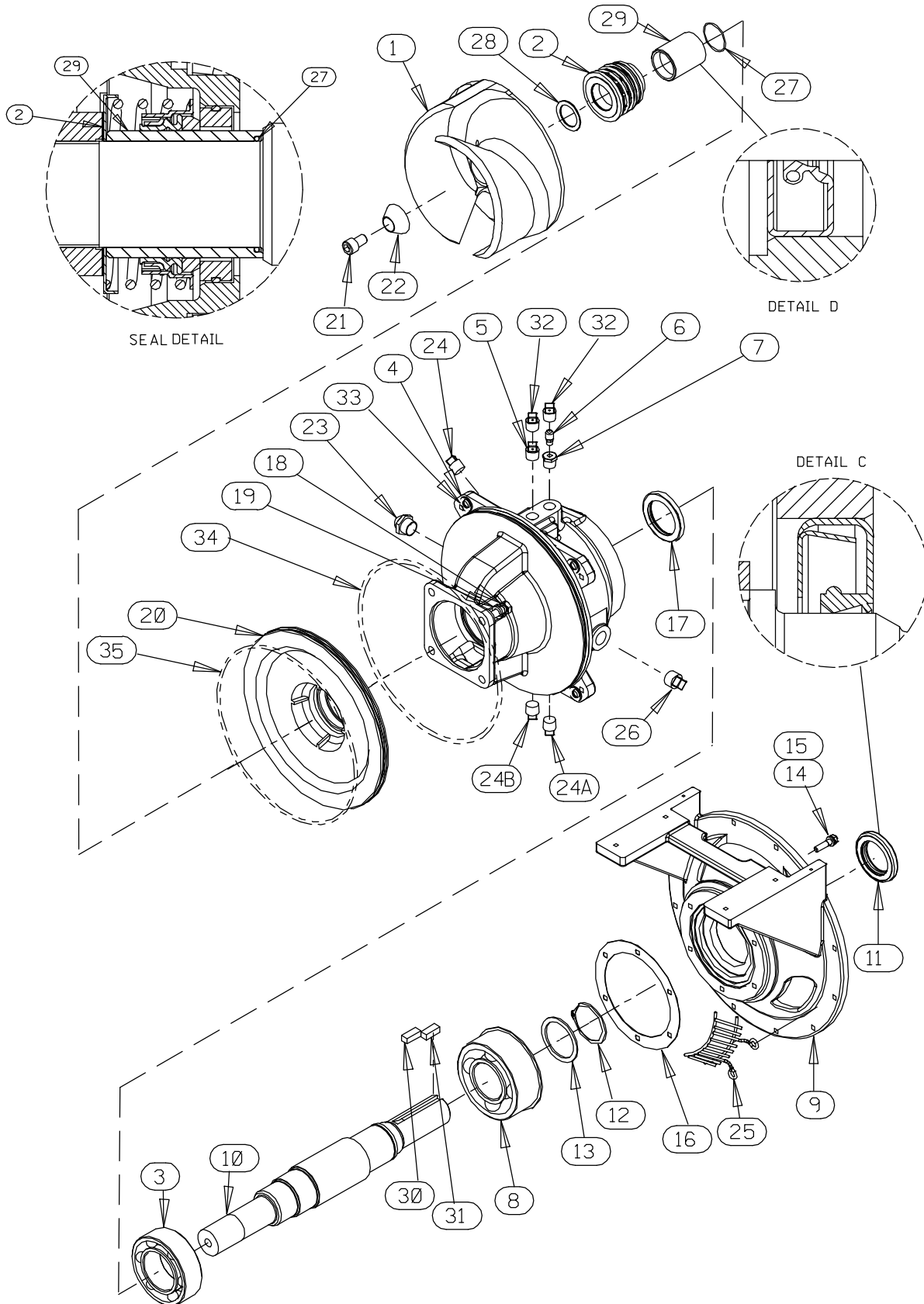


Figure 5. 44163-445 Repair Rotating Assembly

PARTS LIST
44163-445 Repair Rotating Assembly

ITEM NO.	PART NAME	PART NUMBER	MAT'L CODE	QTY
1	IMPELLER	38615-092	11010	1
2	* SEAL ASSEMBLY	46512-149	----	1
3	* BALL BEARING	23422-019		1
4	BEARING HOUSING	38251-513	10000	1
5	VENTED PIPE PLUG	4823A	15079	1
6	AIR VENT	S1530	----	1
7	REDUCER PIPE BUSHING	AP0802	15079	1
8	* BALL BEARING	23422-414	----	1
9	MOUNTING FLANGE	38545-009	11010	1
10	* IMPELLER SHAFT	38515-592	1706H	1
11	* OIL SEAL	S1907	----	1
12	RETAINING RING	S720	----	1
13	THRUST WASHER	31134-115	15000	1
14	HEX HEAD CAP SCREW	21632-937	----	6
15	LOCK WASHER	J06	15991	6
16	* GASKET	38683-474	18000	1
17	* OIL SEAL	25227-771	----	1
18	HEX HEAD CAP SCREW	B0805-1/2	15991	4
19	LOCK WASHER	J08	15991	4
20	SEAL PLATE	38272-256	10000	1
21	SOCKET HEAD CAP SCREW	DM1004S	17090	1
22	IMPELLER WASHER	31514-015	17000	1
23	SIGHT GAUGE	S1471	----	1
24	PIPE PLUG	P08	15079	1
24A	BEARING CAVITY DRAIN PLUG	P08	15079	1
24B	SEAL CAVITY DRAIN PLUG	P08	15079	1
25	INTERMEDIATE GUARD	42381-509	24152	2
26	PIPE PLUG	P12	15079	1
27	SHAFT SLEEVE O-RING	25154-131	----	REF
28	IMPELLER ADJ SHIM SET	48261-057	----	REF
29	SHAFT SLEEVE	31163-019	1706H	REF
30	KEY	24113-601	----	REF
31	* KEY	24113-603	----	1
32	SHIPPING PLUG	11495B	15079	2
33	ROT ASSY ADJ SHIM	13131-3	17040	8
34	* BEARING HOUSING O-RING	S1676	----	1
35	* SEAL PLATE O-RING	25152-381	----	1
NOT SHOWN:				
	INSTRUCTION TAG	6588U	----	1

* INDICATES PARTS RECOMMENDED FOR STOCK

ILLUSTRATION

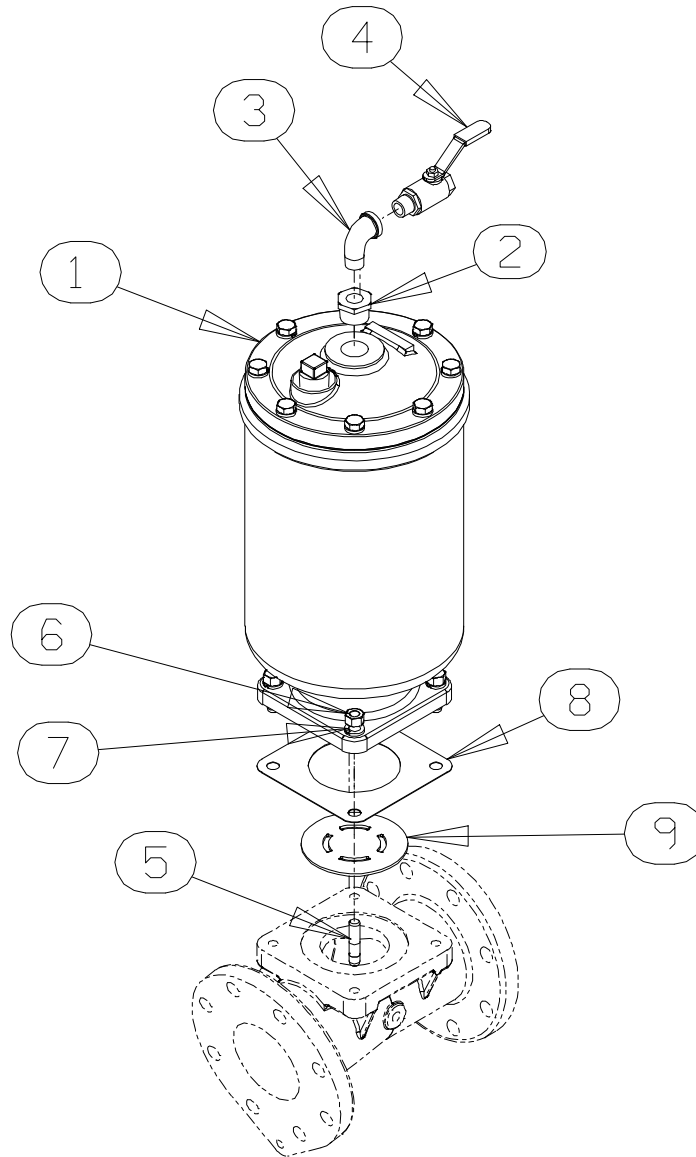


Figure 6. 48275-005 Priming Chamber Kit

ITEM NO.	PART NAME	PART NUMBER	MAT'L CODE	QTY
1	PRIMING CHAMBER ASSY	46112-709	---	1
2	PIPE BUSHING	AP1608	11999	1
3	STREET ELBOW	RS08	11999	1
4	BALL VALVE	26631-052	---	1
5	STUD	C0809	15991	4
6	HEX NUT	D08	15991	4
7	LOCK WASHER	J08	15991	4
8	* GASKET	38687-053	19060	1
9	BAFFLE	31113-011	17000	1

* INDICATES PARTS RECOMMENDED FOR STOCK

ILLUSTRATION

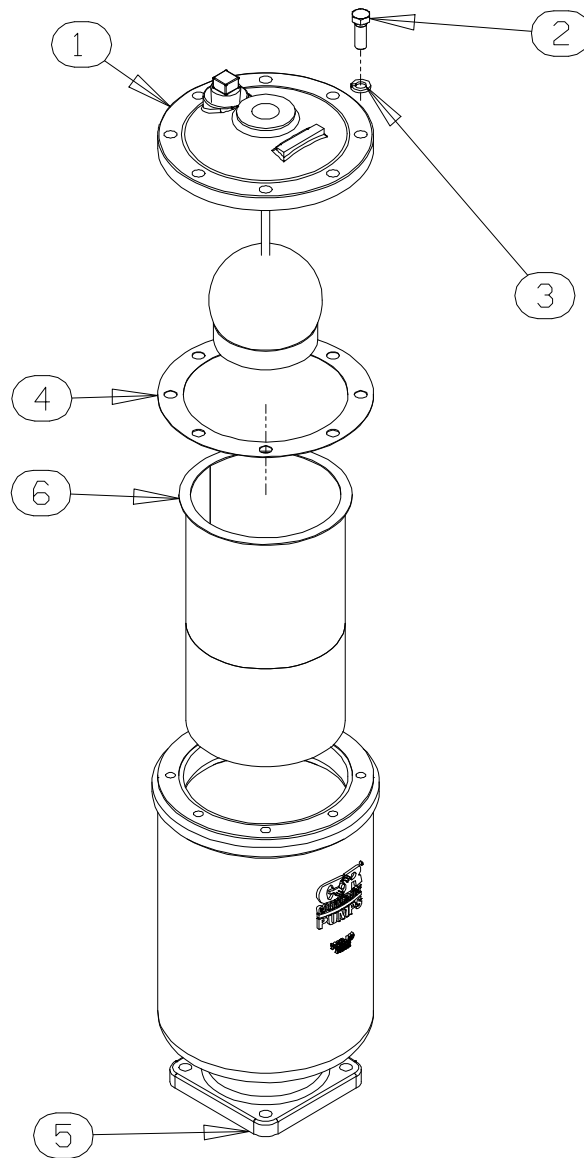


Figure 7. 46112-709 Priming Chamber Assembly

PARTS LIST

ITEM NO.	PART NAME	PART NUMBER	MAT'L CODE	QTY
1	PRIMING VALVE	26664-007	---	1
	-ORIFICE BUTTON	26688-021	---	1
2	HEX HD CAPSCREW	B0806	15991	8
3	LOCKWASHER	J08	15991	8
4	* PRIMING VALVE GASKET	38683-657	19060	1
5	PRIMING CHAMBER	38343-020	10000	1
6	STRAINER ASSY	46641-222	17000	1

* INDICATES PARTS RECOMMENDED FOR STOCK

ILLUSTRATION

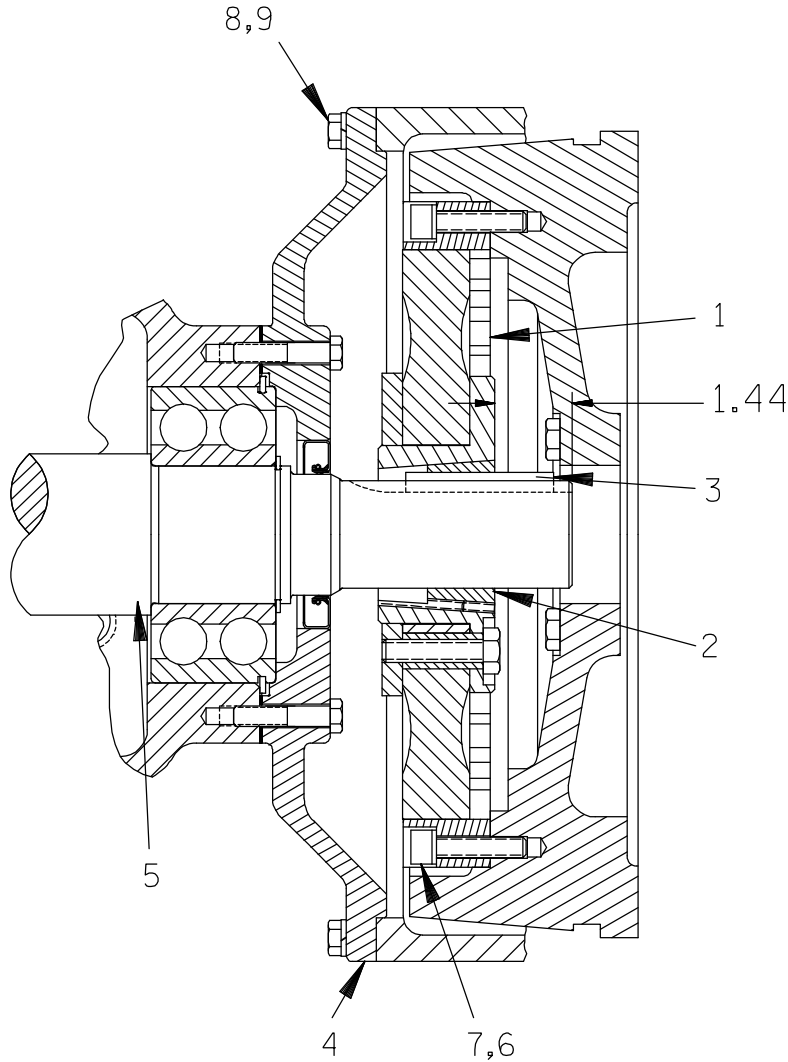




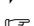





Figure 8. 44162-159 Drive Assembly

ITEM NO.	PART NAME	PART NUMBER	MAT'L CODE	QTY
1	COUPLING ASSY	44165-016	---	1
2	BUSHING	24131-498	---	1
3	-KEY	24113-603	---	1
4	DRIVE FLANGE	38545-009	11010	1
5	IMPELLER SHAFT	38515-592	1706H	1
6	LOCK WASHER	21171-536	---	8
7	 SOCKET HEAD CAPSCREW	BD0606-1/2	15991	8
7	 SOCKET HEAD CAPSCREW	22644-220	---	8
8	 HEX HD CAPSCREW	B0605	15991	12
8	 HEX HD CAPSCREW	22645-164	---	12
9	 LOCK WASHER	J06	15991	12
9	 LOCK WASHER	21171-511	---	12
	 FOR SAE APPLICATIONS			
	 FOR METRIC APPLICATIONS			