

**THE GORMAN-RUPP COMPANY • MANSFIELD, OHIO**

GORMAN-RUPP OF CANADA LIMITED • ST. THOMAS, ONTARIO, CANADA Printed in U.S.A.

S/N 1334689 Up  
PUMP ISSUE 6

**PARTS LIST**  
**PA6A60—(SAE 4/10) Pump Assembly**

ITEM NO.	PART NAME	PART NUMBER	MAT'L CODE	QTY
1	PUMP END ASSY	66E60—(SAE4/10)	---	1
2	* PUMP CASING GSKT	1679G	18000	1
3	STUD	C1211	15991	8
4	HEX NUT	D12	15991	8
5	6" HOPPER SPOOL	38642—507	10000	1
6	CHECK VALVE ASSY	26642—126	---	1
	—FLAPPER	26688—001	---	1
	—COVER O-RING	25152—377	---	1
7	STUD	C1211	15991	8
8	HEX NUT	D12	15991	8
9	* CHECK VALVE GASKET	25113—036	---	1
10	PRIMING CHAMBER ASSY	48275—005	---	1
11	4" BLIND FLANGE	25353—908	---	1
12	4" GASKET	25113—034	---	1
13	HEX HEAD CAP SCREW	B1008	15991	8
14	LOCKWASHER	J10	15991	8

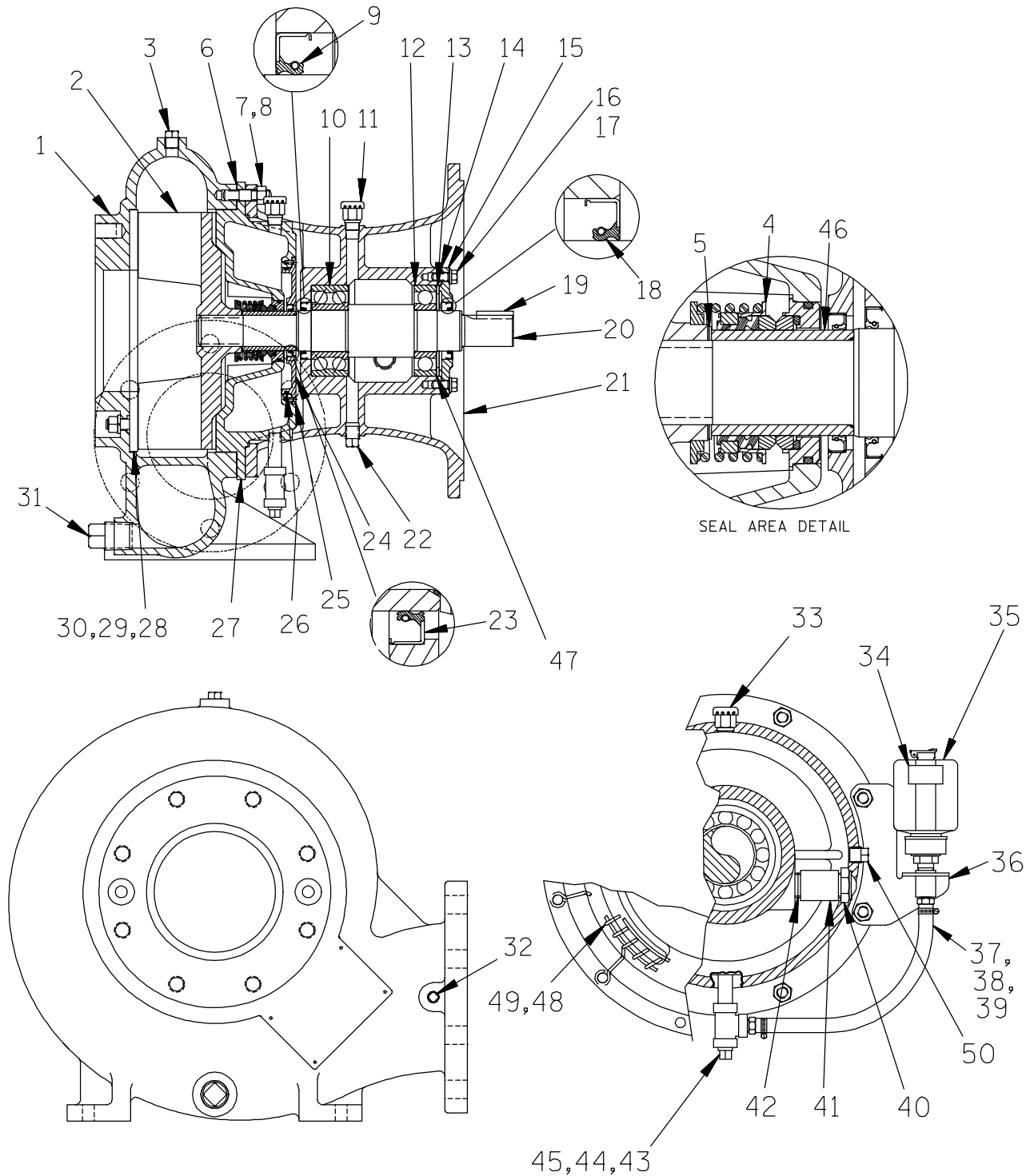
## NOT SHOWN:

G-R DECAL	GR—06	---	1
LUBE DECAL	38816—079	---	1
SUCTION STICKER	6588AG	---	1
DISCHARGE STICKER	6588BJ	---	1
WARNING DECAL	2613FE	---	1
STRAINER	7823A	24000	1

\* INDICATES PARTS RECOMMENDED FOR STOCK

**THE GORMAN-RUPP COMPANY • MANSFIELD, OHIO**

GORMAN-RUPP OF CANADA LIMITED • ST. THOMAS, ONTARIO, CANADA Printed in U.S.A.



**THE GORMAN-RUPP COMPANY • MANSFIELD, OHIO**

GORMAN-RUPP OF CANADA LIMITED • ST. THOMAS, ONTARIO, CANADA

Printed in U.S.A.

September 23, 2005  
Rev. A 10/23/12

©2006 The Gorman-Rupp Company

7 of 14  
Page 64.6 A3

S/N 1334689 Up  
PUMP ISSUE 6

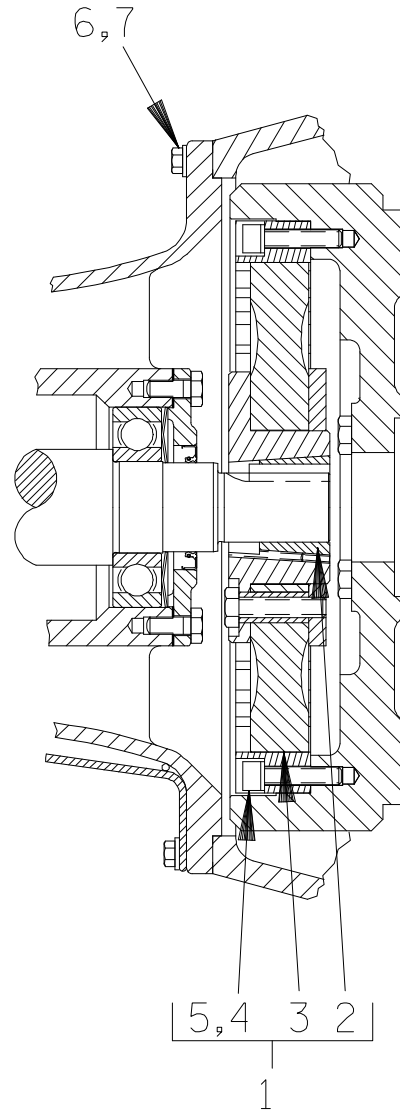
**PARTS LIST**  
**66E60—(SAE4/10) Pump End Assembly**

ITEM NO.	PART NAME	PART NUMBER	MAT'L CODE	QTY	ITEM NO.	PART NAME	PART NUMBER	MAT'L CODE	QTY
1	PUMP CASING	38218-014	10000	1	28 *	WEAR PLATE ASSY	46451-746	24150	1
2 *	IMPELLER ASSY	46151-409	---	1	29	HEX NUT	D08	15991	2
3	PIPE PLUG	P06	15079	1	30	LOCKWASHER	J08	15991	2
4 *	SEAL ASSY	46512-048	---	1	31	PIPE PLUG	P16	10009	1
5 *	ADJ SHIM SET	5091	17090	1	32	PIPE PLUG	P04	15079	1
6 *	CASING GASKET SET	34G	18000	1	33	AIR VENT	S1703	---	1
7	STUD	C0809	15991	8	34	OIL LEVEL DECAL	38816-123	---	1
8	HEX NUT	D08	15991	8	35	BOTTLE OILER	26713-004	---	1
9 *	OIL SEAL	25258-622	---	1	36	BOTTLE OILER BRKT	41881-619	24150	1
10 *	INBOARD BALL BEARING	23421-461	---	1	37	MALE CONNECTOR	26523-409	---	2
11	AIR VENT	S1703	---	1	38	HOSE	18513-054	---	1
12 *	OUTBOARD BALL BRG	S1077	---	1	39	HOSE CLAMP	26518-642	---	2
13	THRUST WASHER	31133-197	15210	1	40	OIL LVL SIGHT GAUGE	S1471	---	1
14 *	BRG COVER GSKT	5413G	18000	1	41	PIPE COUPLING	AE12	15079	1
15	BEARING CAP	4185A	10010	1	42	PIPE NIPPLE	T12	15079	1
16	HEX HD CAPSCREW	B0604	15991	4	43	PIPE NIPPLE	T0608	15079	1
17	LOCKWASHER	J06	15991	4	44	PIPE TEE	U06	11999	1
18 *	OIL SEAL	25258-622	---	1	45	SEAL CVTY DRAIN PLUG	P06	15079	1
19 *	IMP SHAFT KEY	N0607	15990	1	46 *	SHAFT SLEEVE	31163-016	1706H	1
20 *	IMPELLER SHAFT	38514-807	1706H	1	47 *	BRG SHIM SET	8546	15990	1
21	INTERMEDIATE	38263-614	10010	1	48	INTERMEDIATE GUARD	42381-031	24152	1
22	BRG CAV DRAIN PLUG	P06	15079	1	49	INTERMEDIATE GUARD	42381-032	24152	1
23 *	OIL SEAL	25258-620	---	1	50	PIPE PLUG	P06	15079	2
24	SEAL PLATE COVER	38242-707	10000	1		NOT SHOWN:			
25	FH MACHINE SCREW	Y#10-02	15991	4		DRIVE ASSY	44162-119	---	1
26 *	SEAL PLATE O-RING	25152-256	---	1		NAME PLATE	38818-127	13000	1
27	SEAL PLATE	38272-527	10000	1		DRIVE SCREW	BM#04-03	17000	4

INDICATES PARTS RECOMMENDED FOR STOCK

**THE GORMAN-RUPP COMPANY • MANSFIELD, OHIO**

GORMAN-RUPP OF CANADA LIMITED • ST. THOMAS, ONTARIO, CANADA Printed in U.S.A.



**PARTS LIST**  
**44162—119 Drive Assembly**

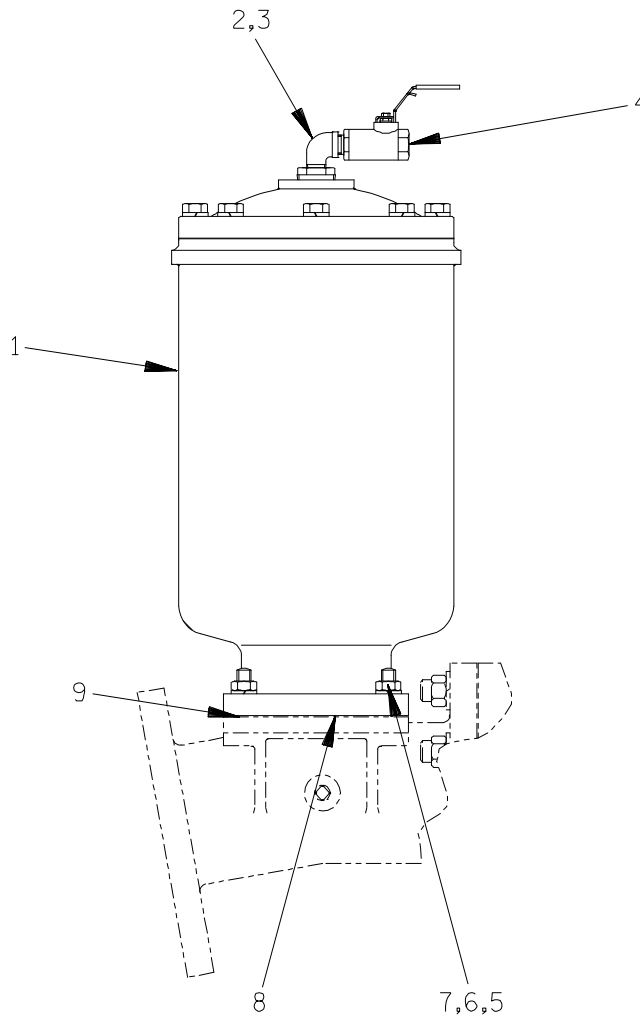
ITEM NO.	PART NAME	PART NUMBER	MAT'L CODE	QTY
1	COUPLING KIT	48112—001	---	1
2	—BUSHING	24131—345	---	1
3	—COUPLING ASSEMBLY	44165—011	---	1
4	—LOCKWASHER	21171—536	---	8
5	—SOCKET HD CAPSCREW	22644—220	---	8
6	HEX HD CAPSCREW	B0605	---	12
7	LOCKWASHER	J06	---	12

**THE GORMAN-RUPP COMPANY • MANSFIELD, OHIO**

GORMAN-RUPP OF CANADA LIMITED • ST. THOMAS, ONTARIO, CANADA

Printed in U.S.A.

S/N 1334689 Up  
PUMP ISSUE 6



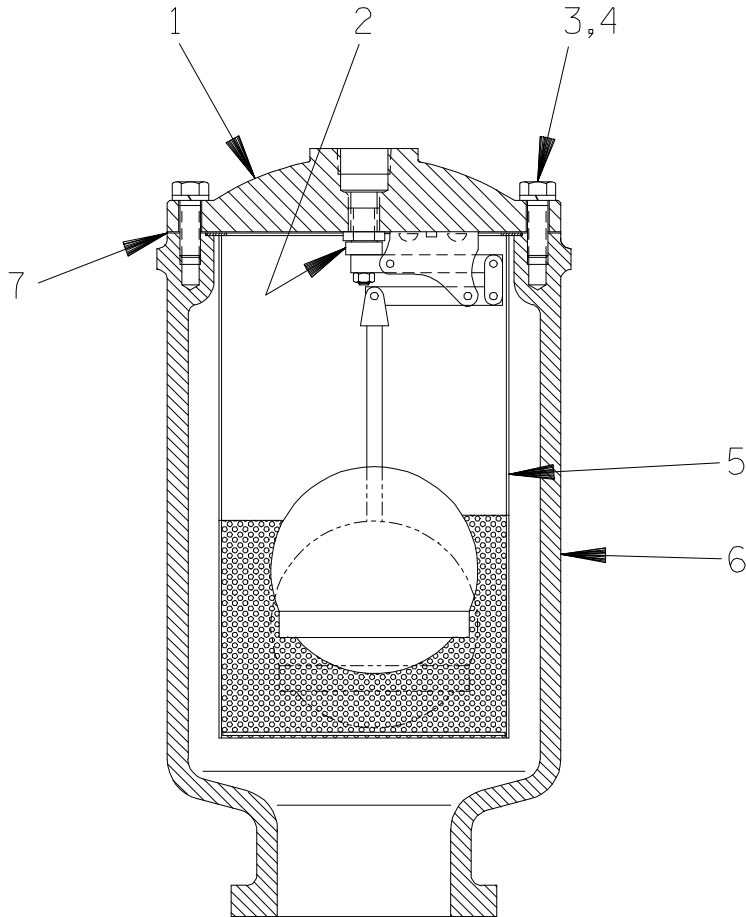
**PARTS LIST**  
**48275—005 Priming Chamber Kit**

ITEM NO.	PART NAME	PART NUMBER	MAT'L CODE	QTY
1	PRIMING HOPPER ASSY	46112—709	---	1
2	PIPE BUSHING	AP1608	11999	1
3	STREET ELBOW	RS08	11999	1
4	BALL VALVE	26631—052	---	1
5	STUD	C0809	15991	4
6	HEX NUT	D08	15991	4
7	LOCK WASHER	J08	15991	4
8	* GASKET	38687—053	19060	1
9	BAFFLE	31113—011	17000	1

\* INDICATES PARTS RECOMMENDED FOR STOCK

**THE GORMAN-RUPP COMPANY • MANSFIELD, OHIO**

GORMAN-RUPP OF CANADA LIMITED • ST. THOMAS, ONTARIO, CANADA Printed in U.S.A.



**PARTS LIST**  
**46112—709 Priming Chamber Assembly**

ITEM NO.	PART NAME	PART NUMBER	MAT'L CODE	QTY
1	PRIMING VALVE	26664—007	---	1
2	—ORIFICE BUTTON	26688—021	---	1
3	HEX HD CAPSCREW	B0806	15991	8
4	LOCKWASHER	J08	15991	8
5	STRAINER ASSY	46641—222	17000	1
6	PRIMING CHAMBER	38343—020	10000	1
7	* PRIMING VALVE GASKET	38683—657	19060	1

\* INDICATES PARTS RECOMMENDED FOR STOCK

**THE GORMAN-RUPP COMPANY • MANSFIELD, OHIO**

GORMAN-RUPP OF CANADA LIMITED • ST. THOMAS, ONTARIO, CANADA

Printed in U.S.A.