

SECTION DRAWING

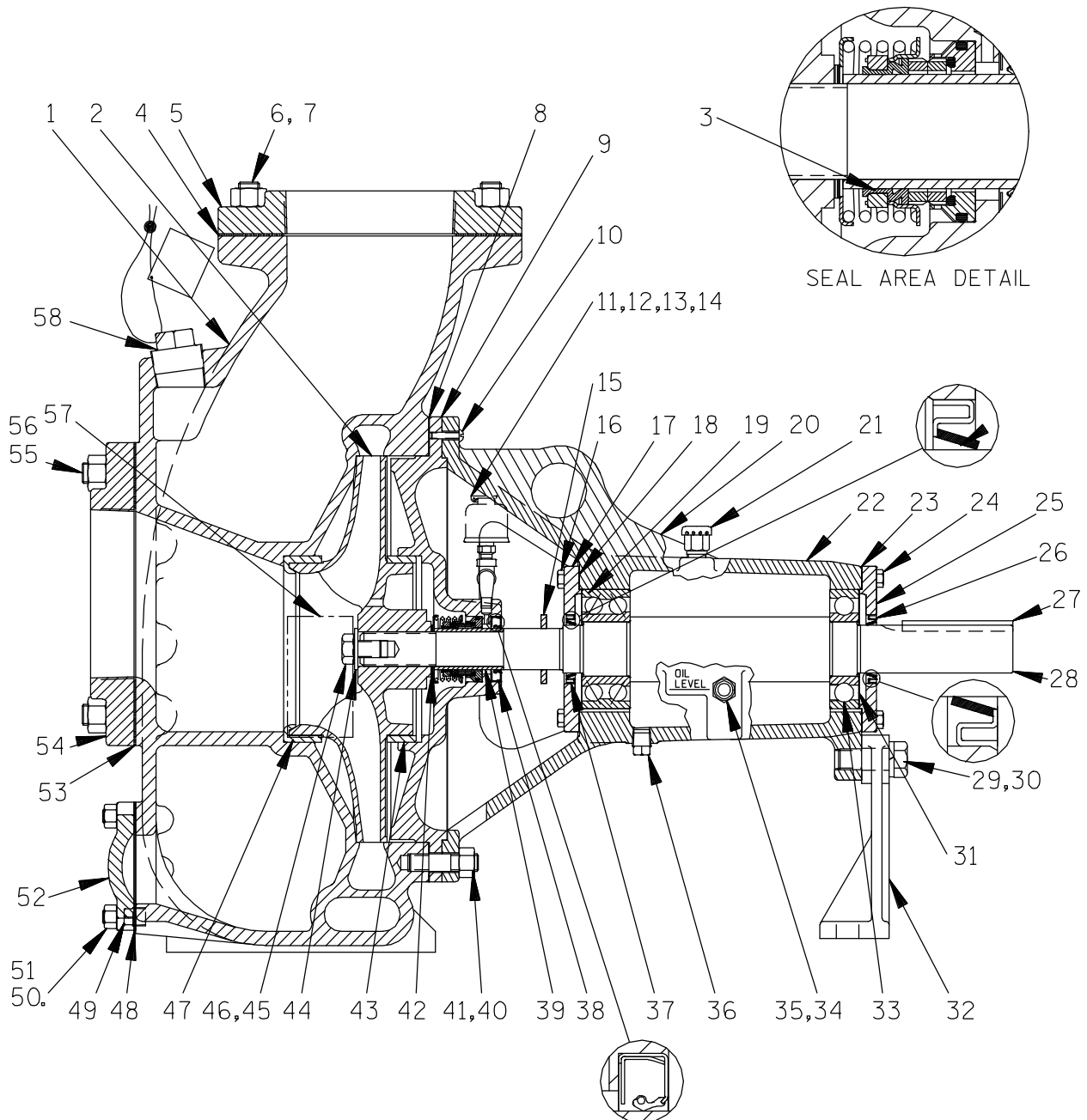


Figure 1. Pump Model 06B20-B

PARTS LIST
Pump Model 06B20-B
 (From S/N 806819 Up)

If your pump serial number is followed by an "N", your pump is **NOT** a standard production model. Contact the Gorman-Rupp Company to verify part numbers.

ITEM NO.	PART NAME	PART NUMBER	MAT'L CODE	QTY	ITEM NO.	PART NAME	PART NUMBER	MAT'L CODE	QTY
☞ 1	PUMP CASING	SEE NOTE BELOW			36	PEDESTAL DRAIN PLUG	P06	15079	1
2 *	IMPELLER	5401E	10010	1	37 *	OIL SEAL	S1262	----	1
3 *	SEAL ASSY	12364D	----	1	38 *	OIL SEAL	S506	----	1
4 *	DISCH FLANGE GSKT	1679GC	20000	1	39 *	SHAFT SLEEVE	3428A	16000	1
5	DISCHARGE FLANGE	1758	10010	1	☞ 40	STUD	C1010	15991	12
☞ 6	STUD	C1211	15991	8	41	HEX NUT	D10	15991	12
7	HEX NUT	D12	15991	8	42	IMP ADJ SHIM SET	37J	17090	REF
8 *	PUMP CASING GASKET	4820G	20000	1	43 *	WEAR RING	5404B	10030	1
9	SEAL PLATE	38272-607	10010	1	44 *	IMPELLER WASHER	3039	15990	1
10	RD HD MACH SCREW	X0404	17000	2	45 *	IMPELLER LOCK WASHER	AK10	15991	1
11	STREET ELBOW	RS02	11999	1	46 *	IMPELLER CAPSCREW	B1004S	15991	1
12	PIPE NIPPLE	T0220	15079	1	☞ 47 *	WEAR RING	5404C	10030	1
13	PIPE ELBOW	R02	11999	1	☞ 48	CLEANOUT CVR GASKET	4822G	20000	1
14	BOTTLE OILER	S1933	----	1	49 *	PIPE PLUG	P06	15079	1
15	SLINGER RING	2352	19120	1	☞ 50	STUD	C0807	15991	6
16	HEX HD CAPSCREW	B0604	15991	4	51	HEX NUT	D08	15991	6
17	BEARING CAP	5413A	10010	1	52	CLEANOUT COVER PLATE	4822	10010	1
18 *	BEARING CAP GASKET	5413G	18000	1	53 *	SUCT FLANGE GASKET	1679GC	20000	1
19 *	INBOARD BALL BEARING	23421-461	----	1	54	SUCTION FLANGE	1758	10010	1
20	PEDESTAL	5402A	10010	1	☞ 55	STUD	C1211	15991	8
21	AIR VENT	S1703	----	1	56	HEX NUT	D12	15991	8
22	ROTATION DECAL	2613M	----	1	57	NAME PLATE	38818-018	13990	1
23 *	BEARING CAP GASKET	5413G	18000	1	☞ 58	FILL PLUG ASSY	48271-066	----	1
24	HEX HD CAPSCREW	B0604	15991	4	NOT SHOWN:				
25	BEARING CAP	5413A	10010	1		DRIVE SCREW	BM#04-03	17000	4
26 *	OIL SEAL	S1262	----	1		STRAINER	46641-005	24151	1
27 *	SHAFT KEY	N0616	15990	1		G-R DECAL	GR-03	----	1
28 *	IMPELLER SHAFT	7703	16040	1		LUBRICATION DECAL	38816-079	----	1
29	HEX HD CAPSCREW	B1208	15991	1		INSTRUCTION DECAL	38817-011	----	1
30	LOCK WASHER	J12	15991	1		INSTRUCTION TAG	38817-028	----	1
31	BEARING ADJ SHIM SET	8546	15990	1		SUCTION STICKER	6588AG	----	1
32	PEDESTAL FOOT	5801	10010	1		PRIMING STICKER	6588AH	----	1
33 *	OUTBOARD BALL BRG	S1077	----	1		DISCHARGE STICKER	6588BJ	----	1
34	SIGHT GAUGE	26714-011	----	1	OPTIONAL:				
35	PIPE PLUG	P06	15079	1		PERMALON SEAL	46512-150	----	1

* INDICATES PARTS RECOMMENDED FOR STOCK

☞ INCLUDED WITH REPAIR 46471-211 ---- 1
 PUMP CASING ASSY