

ILLUSTRATION

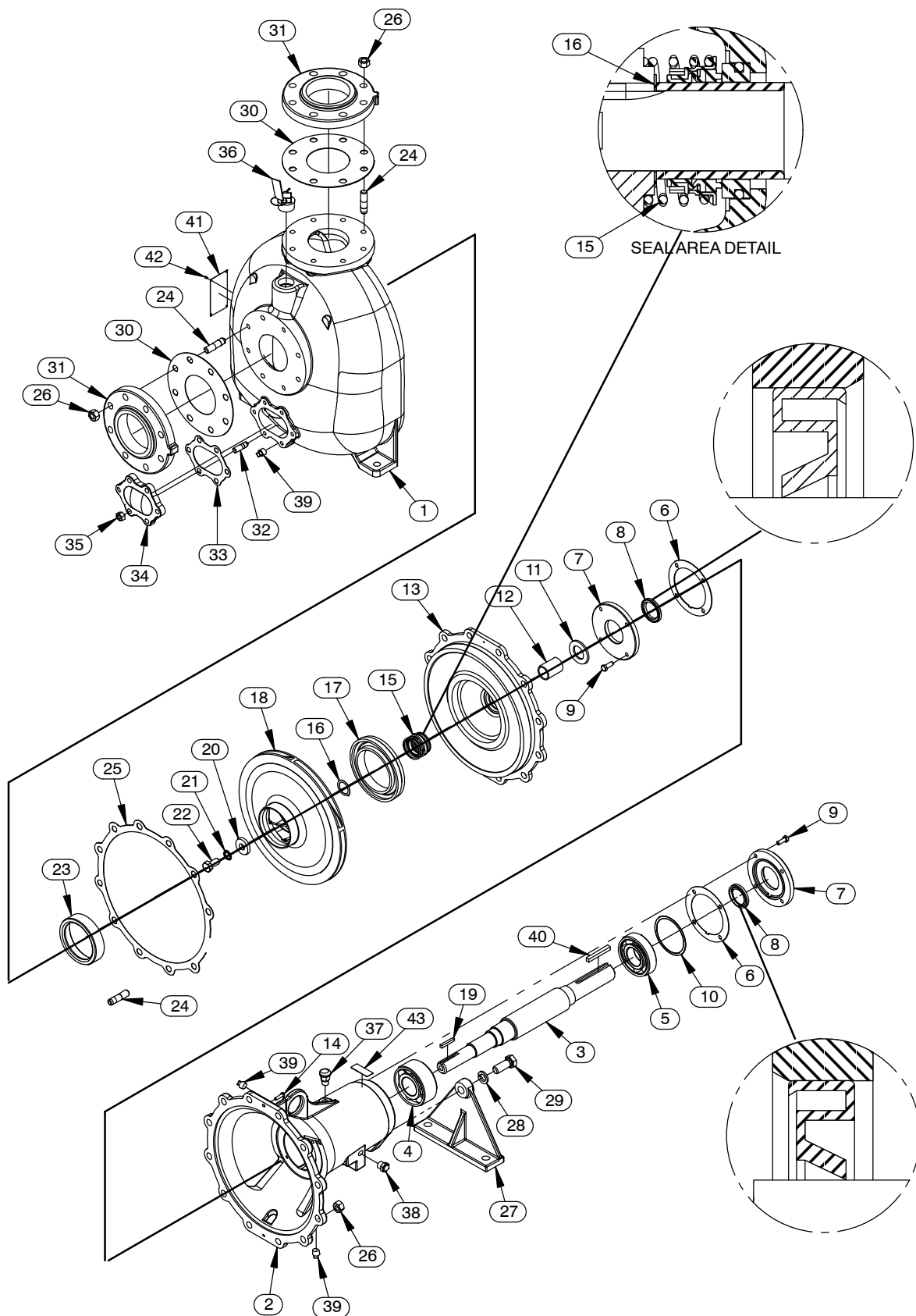


Figure 1. Pump Model 04B3-B

PARTS LIST
Pump Model 04B3-B
 (From S/N 806819 Up)

If your pump serial number is followed by an "N", your pump is **NOT** a standard production model. Contact the Gorman-Rupp Company to verify part numbers.

ITEM NO.	PART NAME	PART NUMBER	QTY	ITEM NO.	PART NAME	PART NUMBER	QTY
☞ 1	PUMP CASING	SEE NOTE BELOW	1	26	HEX NUT	D10 15991	28
2	PEDESTAL BODY	5402A 10010	1	27	PEDESTAL FOOT	5801 10010	1
3	IMPELLER SHAFT	5789 16040	1	28	LOCK WASHER	J12 15991	1
4 *	DBL ROW BALL BEARING	23421-461	1	29	HEX HEAD CAP SCREW	B1208 15991	1
5 *	BALL BEARING	S1077	1	30 *	GASKET	1676GB 20000	2
6 *	GASKET - BEARING CAP	5413G 18000	2	31	FLANGE	1756 10010	2
7	BEARING CAP	5413A 10010	2	☞32	STUD	C0807 15991	6
8 *	OIL SEAL	S1262	2	33	COVER PLATE GASKET	4822G 20000	1
9	HEX HEAD CAP SCREW	B0604 15991	8	34	COVER PLATE	4822 10010	1
10	BEARING SHIM SET	8546 15990	1	35	HEX NUT	D08 15991	6
11	SLINGER RING	2352 19120	1	36	FILL PLUG	48271-064	1
12	SHAFT SLEEVE	5827 16000	1	37	AIR VENT	S1703	1
13	SEAL PLATE	5792 10010	1	38	SIGHT GAUGE	26714-011	1
14	RD HD MACH SCREW	X0404 17090	2	☞39	PIPE PLUG	P06 15079	3
15 *	MECH SEAL 1-1/2	25271-207	1	40 *	SHAFT KEY	N0612 15990	1
16 *	ADJ. SHIM SET	37J 17090	1	41	NAMEPLATE	38818-018 13990	1
17 *	WEAR RING	6902 10010	1	42	DRIVE SCREW	BM#04-03 17000	4
18	IMPELLER	4803D 14000	1	43	ROTATION DECAL	2613M	1
19 *	KEY	N0407 15990	1	NOT SHOWN:			
20 *	IMPELLER WASHER	5718 15990	1		SUCTION STICKER	6588AG	1
21 *	T TYPE LK WASHER	AK10 15991	1		FILL TO PRIME STICKER	6588AH	1
22 *	HEX HEAD CAP SCREW	B1005S 15991	1		DISCHARGE STICKER	6588BJ	1
23 *	WEAR RING	3765A 10010	1		G-R DECAL	GR-03	1
☞24	STUD	C1010 15991	28		LUBRICATION DECAL	38816-079	1
25 *	GASKET	4820G 20000	1		INSTRUCTION TAG	38817-011	1
					INSTRUCTION TAG	38817-028	1

* INDICATES PARTS RECOMMENDED FOR STOCK

☞ INCLUDED WITH REPAIR 46471-210 1
 PUMP CASING ASSY