

SECTION DRAWING

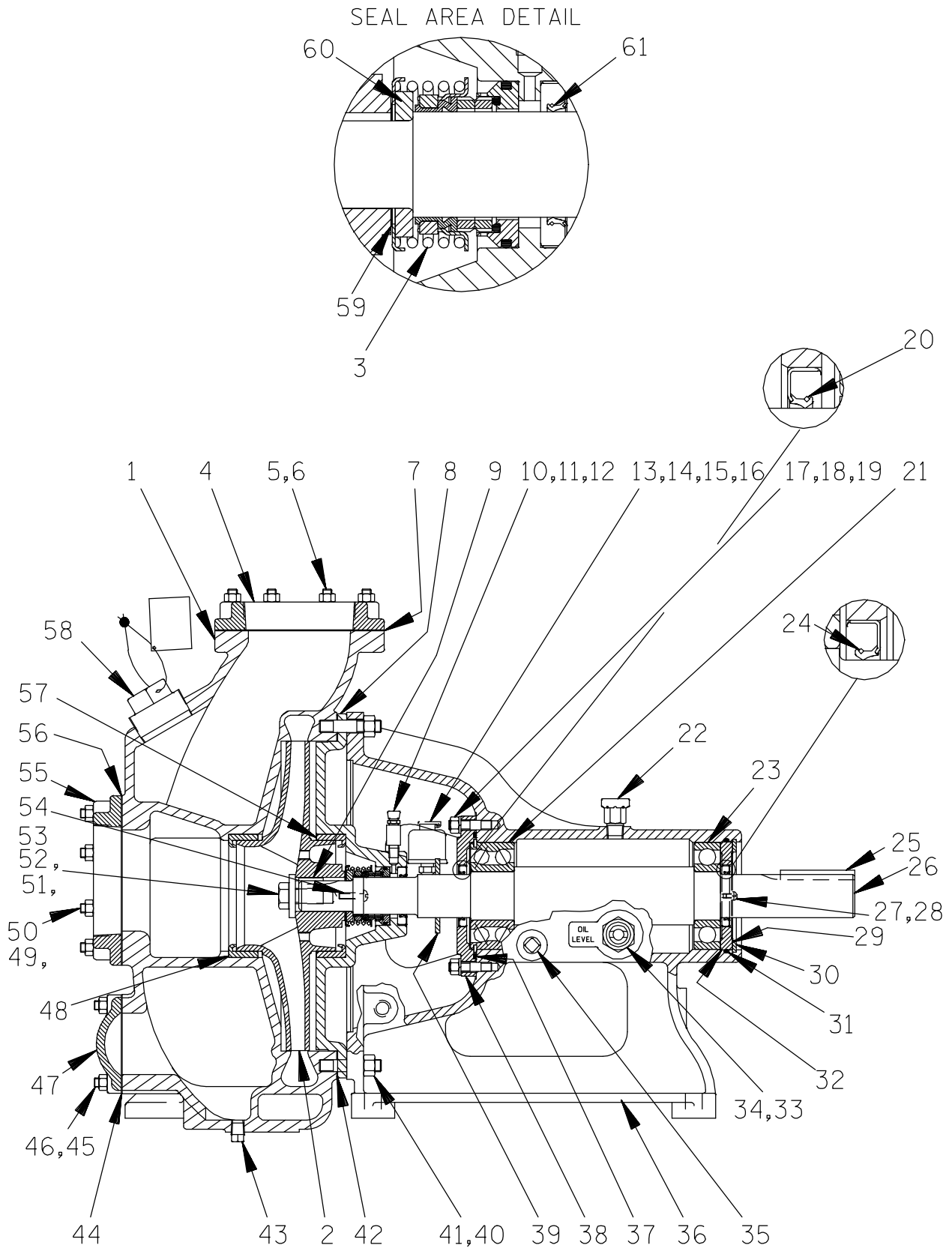


Figure 1. Pump Model 04A20-B

PARTS LIST
Pump Model 04A20-B
 (From S/N 818101 Up)

If your pump serial number is followed by an "N", your pump is **NOT** a standard production model. Contact the Gorman-Rupp Company to verify part numbers.

ITEM NO.	PART NAME	PART NUMBER	MAT'L CODE	QTY	ITEM NO.	PART NAME	PART NUMBER	MAT'L CODE	QTY
☞ 1	PUMP CASING	SEE NOTE BELOW			38	BEARING CAP	38322-418	10010	1
2 *	IMPELLER	3762D	10010	1	39	SLINGER RING	3209	19120	1
3 *	MECH SEAL ASSY	12364A	----	1	☞40	STUD	C0810	15991	12
4	DISCHARGE FLANGE	9586	11000	1	41	HEX NUT	D08	15991	12
☞5	STUD	C0608	15991	8	42 *	CASING GASKET	3768GB	20000	1
6	HEX NUT	D06	15991	8	☞43	PPE PLUG	P04	15079	1
7 *	DISCH FLANGE GASKET	5372G	20000	1	44 *	GASKET	4635GA	20000	1
8	SEAL PLATE	38272-519	10010	1	☞45	STUD	C0606	15991	4
9 *	IMPELLER KEY	N0404	15990	1	46	HEX NUT	D06	15991	4
10	PIPE NIPPLE	T02	15079	1	47	COVER PLATE	4635	10010	1
11	PIPE COUPLING	AE02	15079	1	☞48 *	WEAR RING	3765A	10010	1
12	AIR VENT FITTING	S2162	----	1	☞49	STUD	C0608	15991	8
13	STREET ELBOW	AGS02	11999	1	50	HEX NUT	D06	15991	8
14	PIPE NIPPLE	T0212	15079	1	51 *	IMPELLER CAPSCREW	B1005S	15991	1
15	PIPE ELBOW	R02	11999	1	52 *	IMPELLER WASHER	5718	15990	1
16	BOTTLE OILER	S1933	----	1	53 *	IMPELLER LOCK WASHER AK10		15990	1
17	STUD	C0607	15991	6	54	RD HD MACH SCREW	X0404	17000	2
18	LOCK WASHER	J06	15991	6	55	SUCTION FLANGE	9586	11000	1
19	HEX NUT	D06	15991	6	56 *	SUCT FLANGE GASKET	5372G	20000	1
20 *	OIL SEAL	25227-534	----	1	57 *	WEAR RING	3765A	10010	1
21 *	INBOARD BALL BRG	S1030	----	1	☞58	FILL PLUG ASSY	48271-068	----	1
22	AIR VENT	S1703	----	1	59 *	IMP ADJ SHIM SET	37J	17090	1
23 *	OUTBOARD BALL BRG	S1077	----	1	60 *	SEAL SPACER WASHER	38329-040	17130	1
24 *	OIL SEAL	25227-534	----	1	61 *	OIL SEAL	S506	----	1
25 *	SHAFT KEY	N0612	15990	1		NOT SHOWN:			
26	IMPELLER SHAFT	38512-518	15014	1		ROTATION DECAL	2613M	----	1
27	RD HD MACH SCREW	X#10-01-1/2S	15991	2		NAME PLATE	38818-020	13990	1
28	LOCK WASHER	J#10	15991	2		DRIVE SCREW	BM#04-03	17000	4
29	BRG ADJ SHIM SET	8546	15990	1		SUCTION STICKER	6588AG	----	1
30	RETAINING RING	S1165	----	1		PRIMING STICKER	6588AH	----	1
31 *	O-RING	25152-245	----	1		DISCHARGE STICKER	6588BJ	----	1
32	BEARING RETAINER	38322-522	26000	1		G-R DECAL	GR-03	----	1
33	SIGHT GAUGE	S1471	----	1		LUBE DECAL	38816-079	----	1
34	PIPE PLUG	P12	15079	1		INSTRUCTION TAG	38817-011	----	1
35	CASING DRAIN PLUG	P06	15079	1		INSTRUCTION TAG	38817-028	----	1
36	PEDESTAL	3020C	10010	1					
37 *	O-RING	25152-248	----	1					

* INDICATES PARTS RECOMMENDED FOR STOCK

☞ INCLUDED WITH REPAIR 46471-208 ---- 1
 PUMP CASING ASSY