

SECTION DRAWING

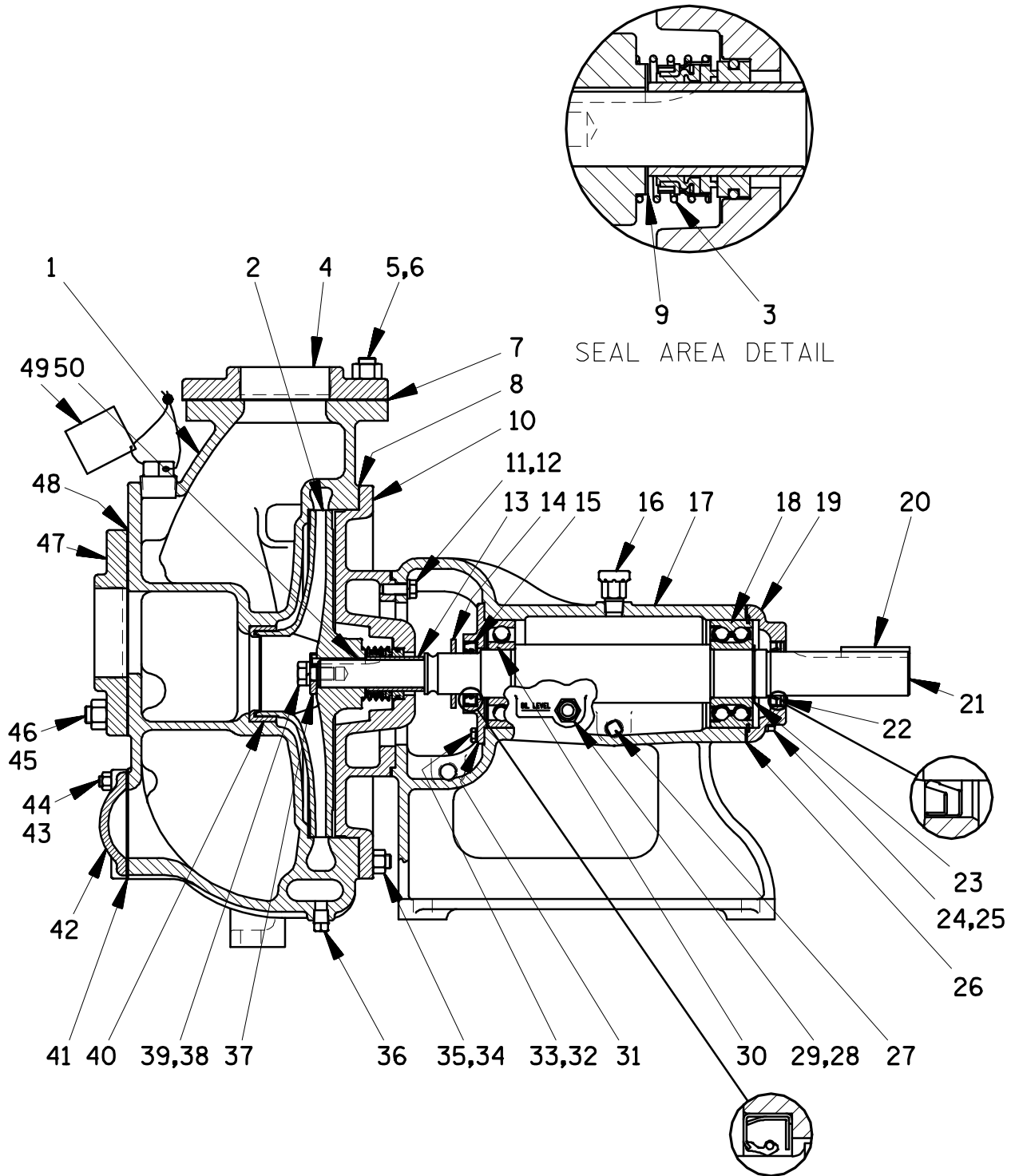


Figure 1. Pump Model 03A3-B

PARTS LIST
Pump Model 03A3-B
 (From S/N 751140 Up)

If your pump serial number is followed by an "N", your pump is **NOT** a standard production model. Contact the Gorman-Rupp Company to verify part numbers.

ITEM NO.	PART NAME	PART NUMBER	MAT'L CODE	QTY	ITEM NO.	PART NAME	PART NUMBER	MAT'L CODE	QTY
☞ 1	PUMP CASING	See Note Below			31	BEARING CAP	7622	10010	1
2 *	IMPELLER	4170B	14000	1	32	HEX HD CAPSCREW	B0403	15991	4
3 *	MECH SEAL ASSY	25271-192	----	1	33	LOCKWASHER	J04	15991	4
4	DISCHARGE FLANGE	1753A	10010	1	☞34	STUD	C0807	15991	12
☞ 5	STUD	C1009	15991	4	35	HEX NUT	D08	15991	12
6	HEX NUT	D10	15991	4	☞36	PIPE PLUG	P04	15079	1
7 *	DISCH FLANGE GASKET	1674GB	20000	1	37	WASHER	6750A	17000	1
8 *	PUMP CASING GASKET	4156GA	20000	1	38	CAP SCREW	BT0804S	15991	1
9 *	IMP ADJ SHIM SET	2X	17090	1	39	LOCKWASHER	J08	15991	1
10	SEAL PLATE	5349A	10010	1	☞40 *	WEAR RING	4158A	14000	1
11	HEX HD CAPSCREW	B0604	15991	4	41 *	CVR PLATE GASKET	4635GA	20000	1
12	LOCKWASHER	J06	15991	4	42	COVER PLATE	4635	10010	1
13 *	SHAFT SLEEVE	2146F	16000	1	☞43	STUD	C0606	15991	4
14	SLINGER RING	2352	19120	1	44	HEX NUT	D06	15991	4
15 *	OIL SEAL	S29	----	1	☞45	STUD	C1009	15991	4
16	PIPE PLUG	S1703	----	1	46	HEX NUT	D10	15991	4
17	PEDESTAL	7639B	10010	1	47	SUCTION FLANGE	1753A	10010	1
18 *	BALL BEARING	S375	----	1	48 *	FLANGE GASKET	1674GB	20000	1
19	BEARING CAP	38324-407	10010	1	☞49	FILL PLUG ASSY	48271-062	----	1
20 *	SHAFT KEY	N0610	15990	1	50 *	IMPELLER KEY	N0407-3/4	15990	1
21 *	IMPELLER SHAFT	5343A	15010	1	NOT SHOWN:				
22 *	OIL SEAL	S1465	----	1		ROTATION DECAL	2613M	----	1
23	RETAINING RING	S442	----	1		NAME PLATE	38818-018	13990	1
24	HEX HD CAPSCREW	B0605	15991	4		DRIVE SCREW	BM#04-03	17000	4
25	LOCKWASHER	J06	15991	4		G-R DECAL	GR-03	----	1
26 *	GASKET/SHIM SET	48211-043	----	1		LUBE DECAL	38816-079	----	1
27	PIPE PLUG	P06	15079	1		INSTRUCTION TAG	38817-011	----	1
28	SIGHT GAGE	26714-011	----	1		INSTRUCTION TAG	38817-028	----	1
29	PIPE PLUG	P06	15079	1		SUCTION STICKER	6588AG	----	1
30 *	BALL BEARING	S1088	----	1		PRIMING STICKER	6588AH	----	1
						DISCHARGE STICKER	6588BJ	----	1

* INDICATES PARTS RECOMMENDED FOR STOCK

☞ INCLUDED WITH REPAIR PUMP CASING ASSY 46471-206 ---- 1