

SECTION DRAWING

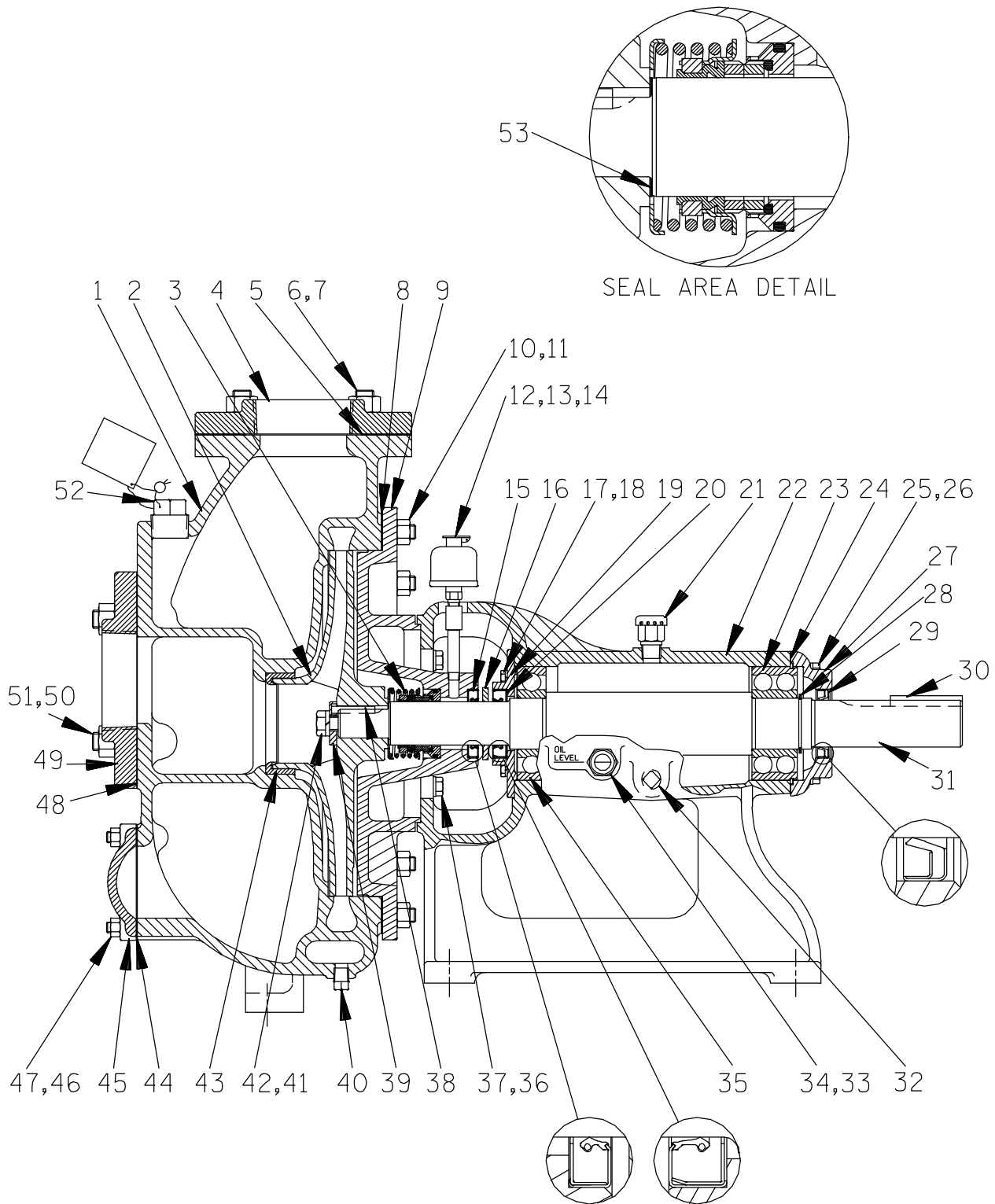


Figure 1. Pump Model 03A20-B

PARTS LIST
Pump Model 03A20-B
 (From S/N 751140 Up)

If your pump serial number is followed by an "N", your pump is **NOT** a standard production model. Contact the Gorman-Rupp Company to verify part numbers.

ITEM NO.	PART NAME	PART NUMBER	MAT'L CODE	QTY	ITEM NO.	PART NAME	PART NUMBER	MAT'L CODE	QTY
☞ 1	PUMP CASING	See Note Below			32	PIPE PLUG	P06	15079	1
2 *	IMPELLER	4170B	10010	1	33	SIGHT GAGE	26714-011	----	1
3 *	MECH SEAL ASSY	12451A	----	1	34	PIPE PLUG	P06	15079	1
4	DISCHARGE FLANGE	1753A	10010	1	35 *	BALL BEARING	S1088	----	1
5 *	DISCH FLANGE GASKET	1674GB	20000	1	36	HEX HD CAPSCREW	B0604	15991	4
☞ 6	STUD	C1009	15991	4	37	LOCKWASHER	J06	15991	4
7	HEX NUT	D10	15991	4	38 *	IMPELLER KEY	N0406	15990	1
8 *	PUMP CASING GASKET	4156GA	20000	1	39	WASHER	6750A	17000	1
9	SEAL PLATE	38272-520	10010	1	☞ 40	PIPE PLUG	P04	15079	1
☞ 10	STUD	C0807	15991	12	41 *	NYLOCK CAP SCREW	BT0804S	15991	1
11	HEX NUT	D08	15991	12	42	LOCKWASHER	J08	15991	1
12	BOTTLE OILER	S1933	----	1	☞ 43 *	WEAR RING	4158A	10010	1
13	PIPE COUPLING	AE02	15079	1	44 *	CVR PLATE GASKET	4635GA	20000	1
14	PIPE NIPPLE	T0208	15079	1	45	COVER PLATE	4635	10010	1
15 *	OIL SEAL	S506	----	1	☞ 46	STUD	C0606	15991	4
16	SLINGER RING	2352	19120	1	47	HEX NUT	D06	15991	4
17	HEX HD CAPSCREW	B0403	15991	4	48 *	FLANGE GASKET	1674GB	20000	1
18	LOCKWASHER	J04	15991	4	49	SUCTION FLANGE	1753A	10010	1
19	BEARING CAP	7622	10010	1	☞ 50	STUD	C1009	15991	4
20 *	OIL SEAL	S29	----	1	51	HEX NUT	D10	15991	4
21	AIR VENT	S1703	----	1	☞ 52	FILL PLUG ASSY	48271-062	----	1
22	PEDESTAL	7639C	10010	1	53 *	IMP ADJ SHIM SET	2X	17090	1
23 *	BALL BEARING	S375	----	1	NOT SHOWN:				
24 *	GASKET/SHIM SET	48211-043	----	1		ROTATION DECAL	2613M	----	1
25	HEX HD CAPSCREW	B0605	15991	4		NAME PLATE	38818-018	13990	1
26	LOCKWASHER	J06	15991	4		DRIVE SCREW	BM#04-03	17000	4
27	BEARING CAP	38324-407	10010	1		G-R DECAL	GR-03	----	1
28	RETAINING RING	S442	----	1		LUBE DECAL	38816-079	----	1
29 *	OIL SEAL	S1465	----	1		SUCTION STICKER	6588AG	----	1
30 *	SHAFT KEY	N0610	15990	1		PRIMING STICKER	6588AH	----	1
31 *	IMPELLER SHAFT	38512-020	15014	1		DISCHARGE STICKER	6588BJ	----	1

* INDICATES PARTS RECOMMENDED FOR STOCK

☞ INCLUDED WITH REPAIR PUMP CASING ASSY 46471-255 ---- 1