

SECTION DRAWING

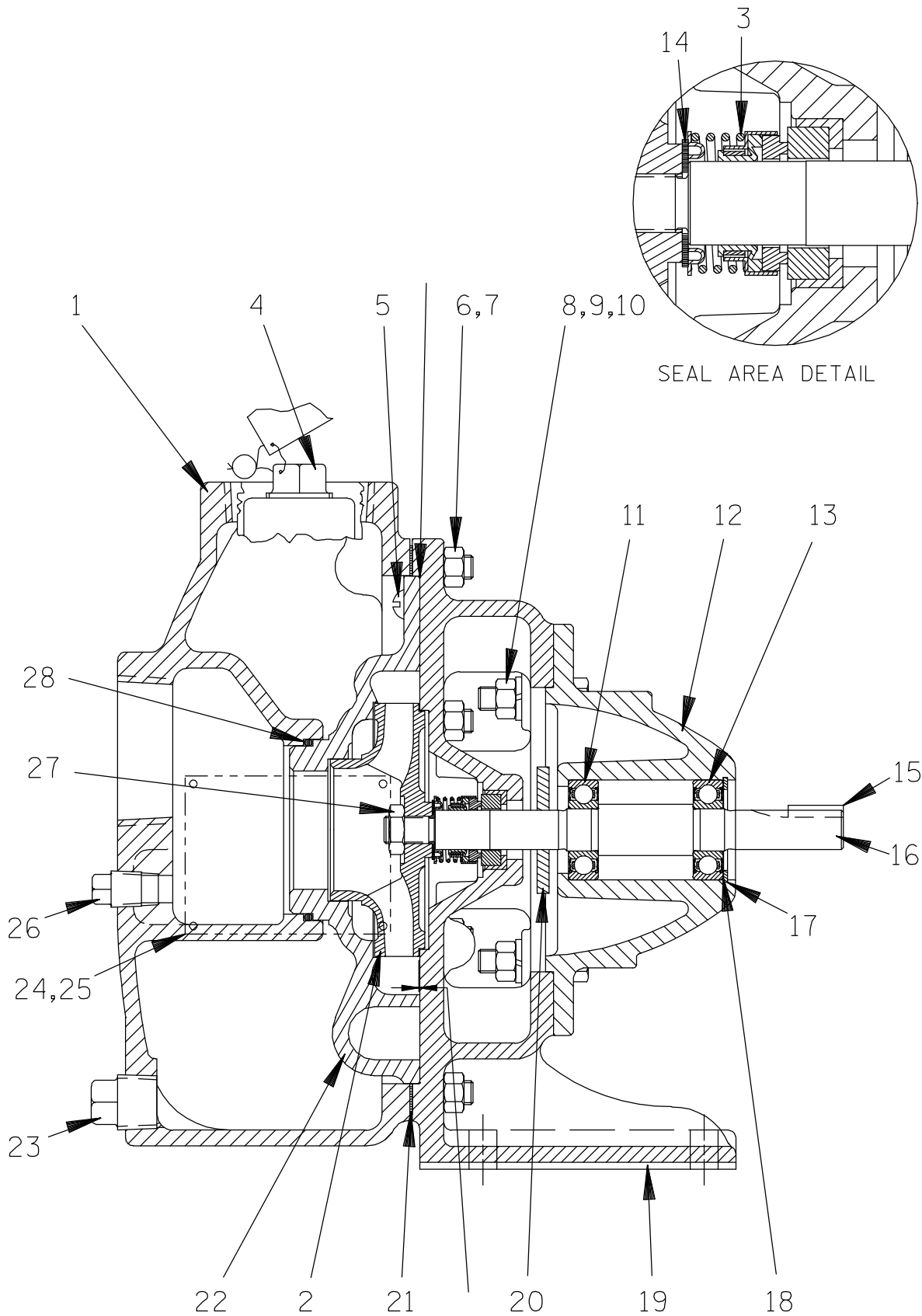


Figure 1. 02E3-B Pump Model Assembly

PARTS LIST
Pump Model 02E3-B
(From S/N 284632N Up)

If your pump serial number is followed by an "N", your pump is **NOT** a standard production model. Contact the Gorman-Rupp Company to verify part numbers.

ITEM NO.	PART NAME	PART NUMBER	MAT'L CODE	QTY
☞ 1	PUMP HOUSING	See Note Below		
2	* IMPELLER	6369	14000	1
3	* SEAL ASSEMBLY	25271-821	---	1
☞ 4	FILL PLUG ASSY	48271-060	---	1
5	RD HD MACH SCREW	X0402	14990	3
☞ 6	STUD	C0606	15991	8
7	HEX NUT	D06	15991	8
8	HEX HD CAPSCREW	B0606	15991	4
9	HEX NUT	D06	15991	4
10	LOCK WASHER	J06	15991	4
11	* BEARING	S528	---	1
12	BEARING HOUSING	10671	10010	1
13	* BEARING	S528	---	1
14	* IMP ADJ SHIM SET	5889	17000	1
15	* IMP SHAFT KEY	N0303-1/2	15990	1
16	IMPELLER SHAFT	10673	15000	1
17	RETAINING RING	S494	---	1
18	* BRG ADJ SHIM SET	2X	17090	1
19	INTERMEDIATE BRCKT	6367	10010	1
20	* SLINGER RING	31131-062	19120	1
21	* HOUSING GASKET	2958GB	20000	1
22	* VANE PLATE	6378	10010	1
☞ 23	HOUSING DRAIN PLUG	P08	15079	1
24	NAME PLATE	38818-020	13990	1
25	DRIVE SCREW	BM#04-03	17000	4
☞ 26	PIPE PLUG	P04	15079	1
27	* IMPELLER NUT	AT07S	15991	1
28	* VANE PLATE O-RING	S1487	---	1

NOT SHOWN:

G-R DECAL	GR-03	---	1
ROTATION DECAL	2613M	---	1
INSTRUCTION TAG	38817-046	---	1
SUCTION STICKER	6588AG	---	1
PRIMING STICKER	6588AH	---	1
DISCHARGE STICKER	6588BJ	---	1

* INDICATES PARTS RECOMMENDED FOR STOCK

☞ INCLUDED WITH REPAIR PUMP CASING ASSY 46471-213 --- 1