

SECTION DRAWING

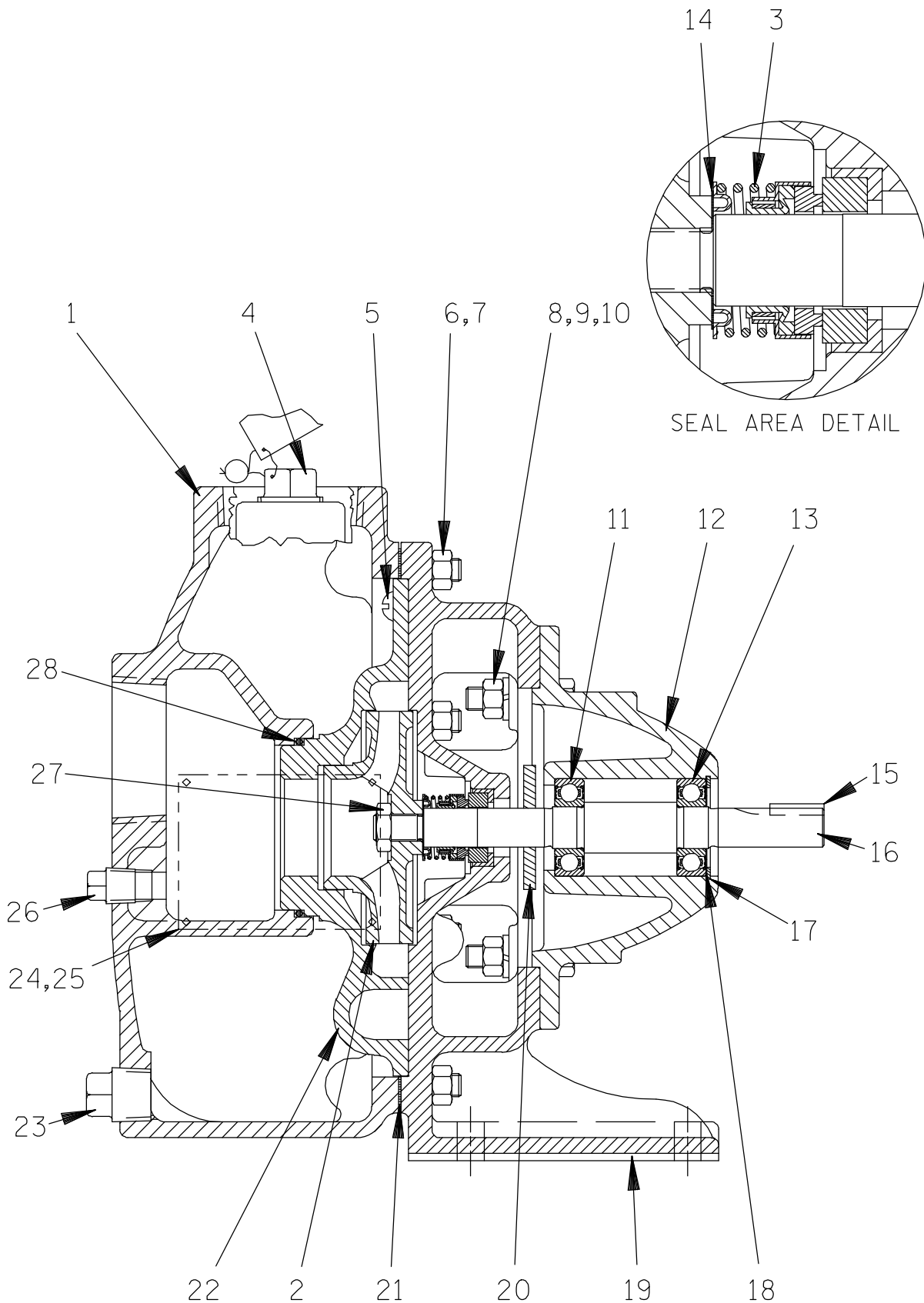


Figure 1. 02C3-B Pump Model Assembly

PARTS LIST
Pump Model 02C3-B
 (From S/N 259749 Up)

If your pump serial number is followed by an "N", your pump is **NOT** a standard production model. Contact the Gorman-Rupp Company to verify part numbers.

| ITEM NO. | PART NAME | PART NUMBER | MAT'L CODE | QTY |
|----------|---------------------|----------------|------------|-----|
| ☞ 1 | PUMP HOUSING | See Note Below | | |
| 2 | * IMPELLER | 5247A | 14000 | 1 |
| 3 | * SEAL ASSEMBLY | 25271-821 | --- | 1 |
| ☞ 4 | FILL PLUG ASSY | 48271-060 | --- | 1 |
| 5 | RD HD MACH SCREW | X0402 | 14990 | 3 |
| ☞ 6 | STUD | C0606 | 15991 | 8 |
| 7 | HEX NUT | D06 | 15991 | 8 |
| 8 | HEX HD CAPSCREW | B0606 | 15991 | 4 |
| 9 | HEX NUT | D06 | 15991 | 4 |
| 10 | LOCK WASHER | J06 | 15991 | 4 |
| 11 | * BEARING | S528 | --- | 1 |
| 12 | BEARING HOUSING | 10671 | 10010 | 1 |
| 13 | * BEARING | S528 | --- | 1 |
| 14 | * IMP ADJ SHIM SET | 5889 | 17000 | 1 |
| 15 | * IMP SHAFT KEY | N0303-1/2 | 15990 | 1 |
| 16 | IMPELLER SHAFT | 10673 | 15000 | 1 |
| 17 | RETAINING RING | S494 | --- | 1 |
| 18 | * BRG ADJ SHIM SET | 2X | 17090 | 1 |
| 19 | INTERMEDIATE BRCKT | 6367 | 10010 | 1 |
| 20 | * SLINGER RING | 31131-062 | 19120 | 1 |
| 21 | * HOUSING GASKET | 2958GB | 20000 | 1 |
| 22 | * VANE PLATE | 6378 | 10010 | 1 |
| ☞ 23 | HOUSING DRAIN PLUG | P08 | 15079 | 1 |
| 24 | NAME PLATE | 38818-020 | 13990 | 1 |
| 25 | DRIVE SCREW | BM# 04-03 | 17000 | 4 |
| ☞ 26 | PIPE PLUG | P04 | 15079 | 1 |
| 27 | * IMPELLER NUT | AT07S | 15991 | 1 |
| 28 | * VANE PLATE O-RING | S1487 | --- | 1 |

NOT SHOWN:

| | | | |
|-------------------|-----------|-----|---|
| G-R DECAL | GR-03 | --- | 1 |
| ROTATION DECAL | 2613M | --- | 1 |
| INSTRUCTION TAG | 38817-046 | --- | 1 |
| SUCTION STICKER | 6588AG | --- | 1 |
| PRIMING STICKER | 6588AH | --- | 1 |
| DISCHARGE STICKER | 6588BJ | --- | 1 |

* INDICATES PARTS RECOMMENDED FOR STOCK

| | | | |
|---|-----------|-----|---|
| ☞ INCLUDED WITH REPAIR PUMP CASING ASSY | 46471-213 | --- | 1 |
|---|-----------|-----|---|