

SECTION DRAWING

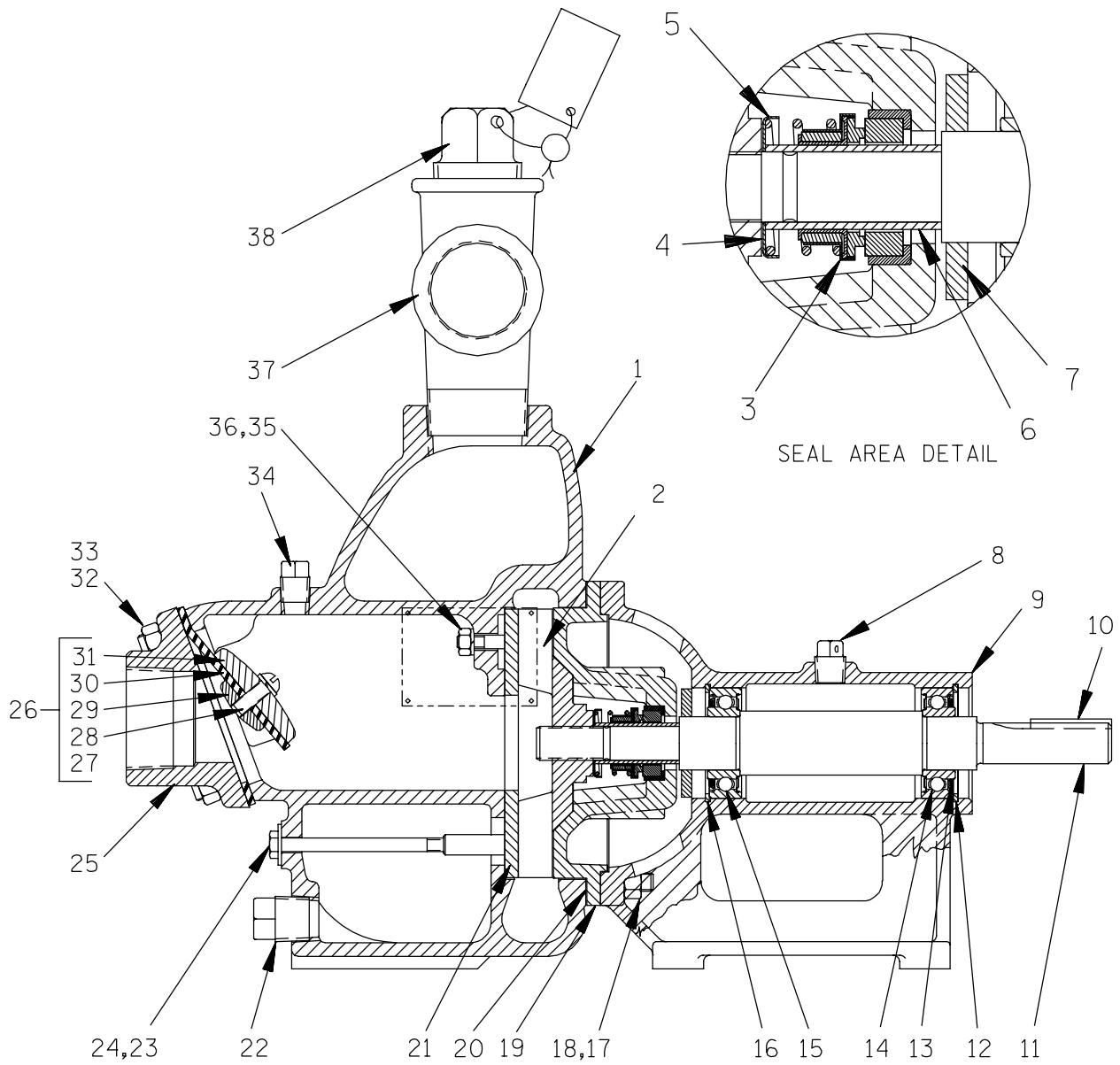


Figure 1. Pump Model 81 1/2A52-B

**PARTS LIST**  
**Pump Model 81 1/2A52-B**  
 (From S/N 1233759 up)

If your pump serial number is followed by an "N", your pump is **NOT** a standard production model. Contact the Gorman-Rupp Company to verify part numbers.

ITEM NO.	PART NAME	PART NUMBER	MAT'L CODE	QTY
1	PUMP CASING	6846B	10010	1
2	* IMPELLER	2912F	10010	1
3	* SEAL ASSEMBLY	25285-853	---	1
4	* IMPELLER ADJ SHIM SET	513A	17090	1
5	SPRING RETAINER	31161-041	17000	1
6	* SHAFT SLEEVE	2353	17020	1
7	SLINGER RING	3228	19120	1
8	VENTED PLUG	4823	15079	1
9	PEDESTAL	2928	10010	1
10	* SHAFT KEY	N0306	15990	1
11	IMPELLER SHAFT	2931	15000	1
12	BEARING RETAINING RING	S240	---	1
13	BEARING ADJ SHIM SET	8540	15990	1
14	* OUTBOARD BALL BEARING	S1085	---	1
15	* INBOARD BALL BEARING	S1085	---	1
16	BEARING RETAINING RING	S240	---	1
17	STUD	C0607	15991	4
18	HEX NUT	D06	15991	4
19	SEAL PLATE	2930A	10010	1
20	* CASING GASKET SET	504GA	20000	1
21	* WEAR PLATE ASSY	2643A	15990	1
22	PUMP CASING DRAIN PLUG	P08	15079	1
23	HEX HD CAPSCREW	B0414	15991	1
24	FLAT WASHER	KF04	18040	1
25	SUCTION FLANGE	8599	10010	1
26	FLAP VALVE ASSY	1352	---	1
27	-LOCKWASHER	J04	17090	1
28	-RD HD MACH SCREW	X0403	17090	1
29	-SMALL VALVE WEIGHT	1354	15160	1
30	* -CHECK VALVE GASKET	1352G	19070	1
31	-LARGE VALVE WEIGHT	1353	10010	1
32	STUD	C0606	15991	4
33	HEX NUT	D06	15991	4
34	PIPE PLUG	P04	15079	1
35	LOCKWASHER	J04	15991	1
36	HEX NUT	D04	15079	1
37	SERVICE TEE	US24	11999	1
38	FILL PLUG ASSY	48271-066	---	1
NOT SHOWN:				
	NAMEPLATE	38812-041	13990	1
	DRIVE SCREW	BM#04-03	17000	4
	ROTATION DECAL	2613M	---	1
	G-R DECAL	GR-03	---	1
	SUCTION STICKER	6588AG	---	1
	PRIMING STICKER	6588AH	---	1
	DISCHARGE STICKER	6588BJ	---	1
	LUBE DECAL	38816-075	---	1

\* INDICATES PARTS RECOMMENDED FOR STOCK