



# Self Priming Centrifugal Pump

## Model V4C60SC-B

Size 6" x 4"



VARIOUS PATENTS APPLY



**PUMP SPECIFICATIONS**

**Size:** 6" x 4" (152 mm x 102 mm).\*\*

**Casing:** Gray Iron 30.

Maximum Operating Pressure 118 psi (814 kPa).\*

**Semi-Open Type, Two Vane Impeller:** Ductile Iron 65-45-12.

Handles 3" (76,2 mm) Diameter Spherical Solids.

**Impeller Shaft:** Alloy Steel 4150.

**Replaceable Eradicator Wear Plate:** Carbon Steel ASTM A36.

**Shimless Adjustable Cover Plate:** Gray Iron 30.

**Removable Inspection Cover Plate:** Gray Iron 30.

**Externally Removable Flap Valve:** Neoprene w/Nylon and Steel Reinforcing.

**Suction Flange/Flap Valve Seat:** Gray Iron 30.

**Bearing Housing:** Gray Iron 30.

**Seal Plate:** Gray Iron 30.

**Shaft Sleeve:** Alloy Steel 4130.

**Radial and Thrust Bearings:** Open Double Row Ball.

**Bearing and Seal Cavity Lubrication:** SAE 30 Non-Detergent Oil.

**Gaskets:** Buna-N, Compressed Synthetic Fibers, Vegetable Fiber, PTFE, Cork and Rubber.

**O-Rings:** Buna-N.

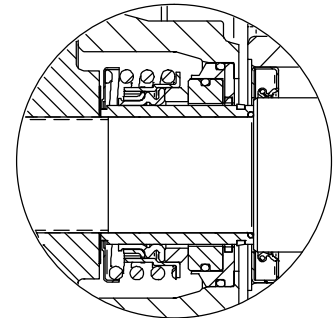
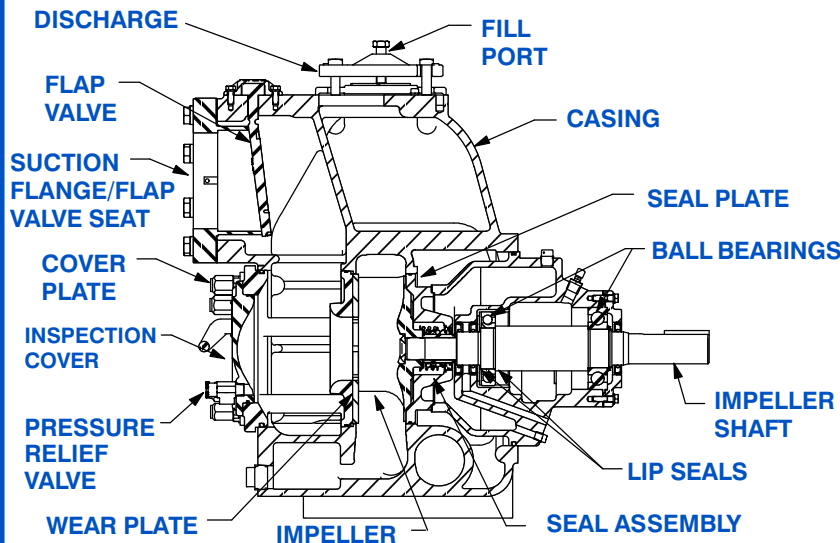
**Hardware:** Standard Plated Steel.

**Brass Pressure Relief Valve.**

**Bearing and Seal Cavity Oil Level Sight Gauges.**

**Optional Equipment:** Automatic Air Release Valve. High Pump Temperature Shutdown Kit. Cartridge Seal w/Stainless Steel Sleeve. 120/240 Volt Casing Heater.

\*\* Optional Gray Iron 30 Flanges Available as Follows (See Price Sheets):  
6" and 4" Female NPT Suction/Discharge Flange Kits.  
6" and 4" ASA Suction/Discharge Spool Flange Kits.  
200 mm and 150 mm DIN 2527 (PN 16) Suction/Discharge Spool Flange Kits.



**SEAL DETAIL**

Cartridge Type, Mechanical, Oil-Lubricated, Double Floating, Self-Aligning. Silicon Carbide Rotating and Stationary Faces. Stainless Steel 316 Stationary Seat. Fluorocarbon Elastomers (DuPont Viton® or Equivalent). Stainless Steel 18-8 Cage and Spring. Maximum Temperature of Liquid Pumped, 160°F (71°C).\*

\* Consult Factory for Applications Exceeding Maximum Pressure and/or Temperature Indicated.



GORMAN-RUPP PUMPS

www.grpumps.com

Specifications Subject to Change Without Notice

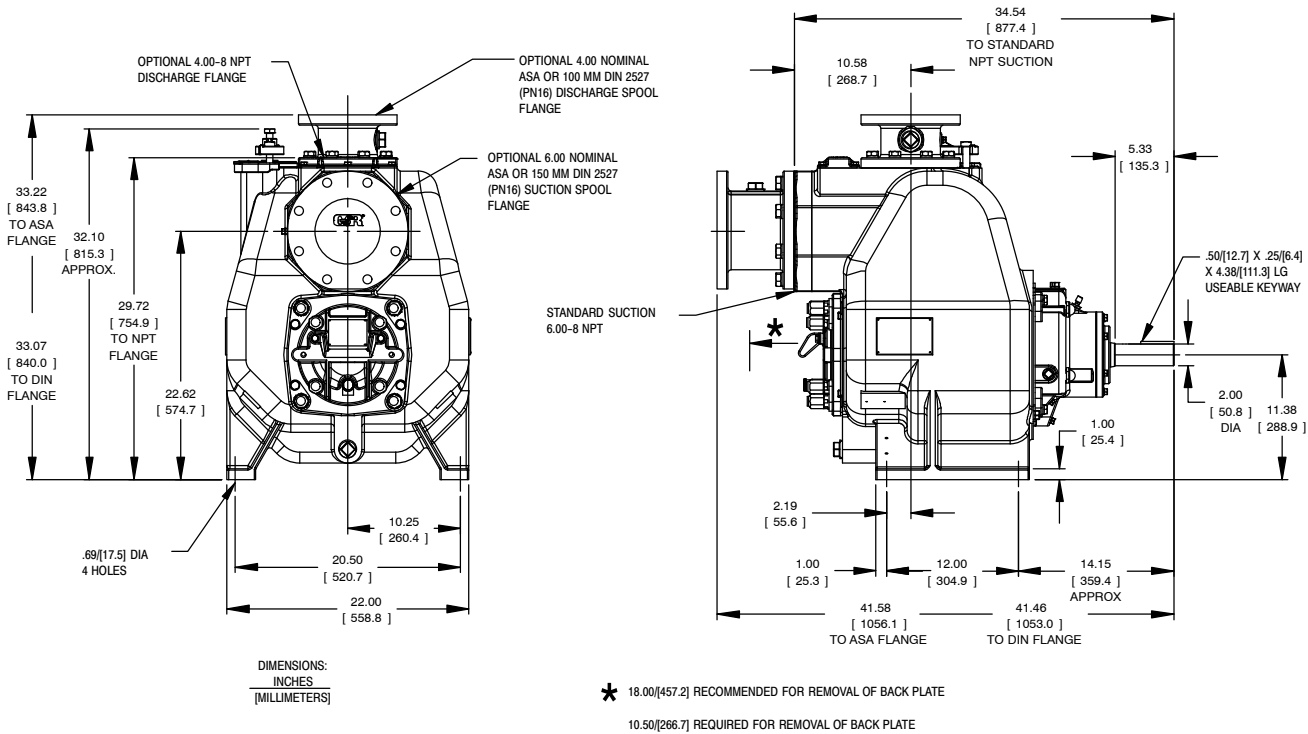
Printed in U.S.A.

# Specification Data

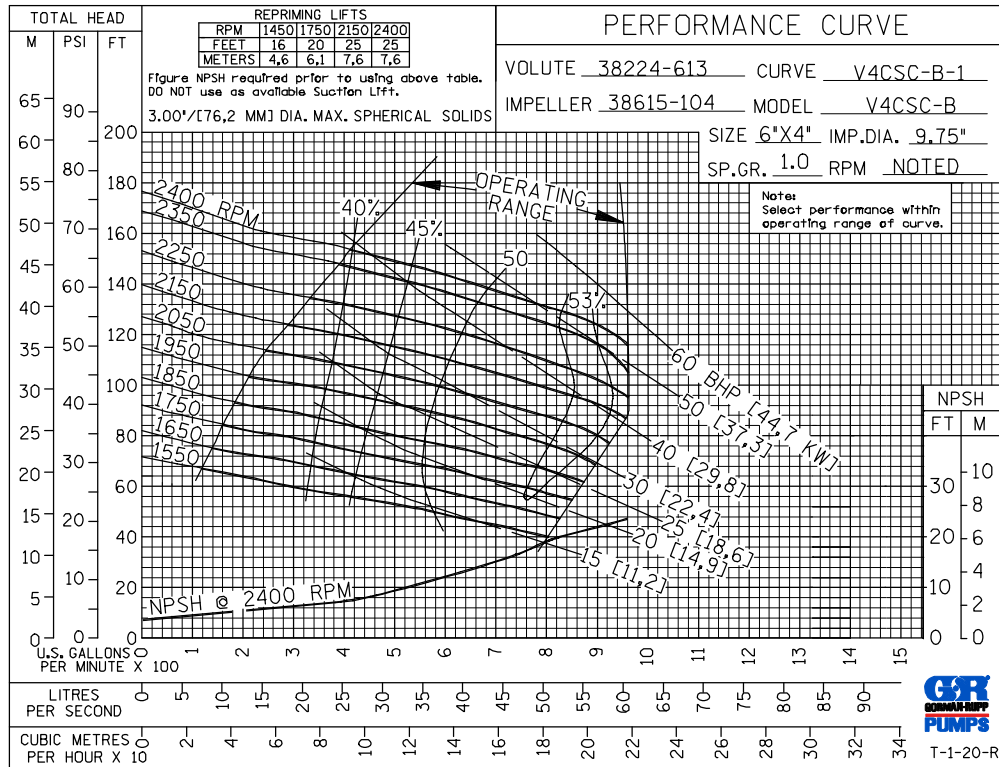
SECTION 55, PAGE 2625

## APPROXIMATE DIMENSIONS and WEIGHTS

**NET WEIGHT: 877 LBS. (398 KG.)\***  
**SHIPPING WEIGHT: 955 LBS. (433 KG.)\***  
**EXPORT CRATE: 18 CU. FT. (0,5 CU. M.)**  
**\*WEIGHTS DO NOT INCLUDE OPTIONAL FLANGE KITS.**



**60 HERTZ PERFORMANCE BASED ON WATER**



# GORMAN-RUPP PUMPS

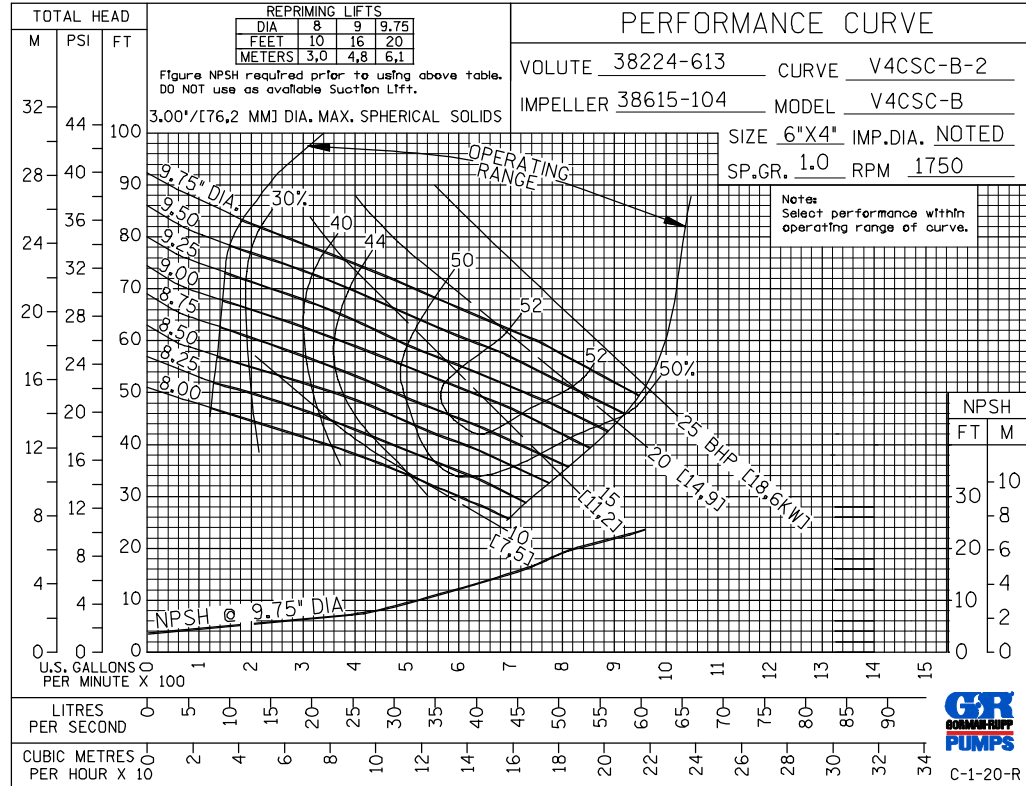
www.grpumps.com

Specifications Subject to Change Without Notice

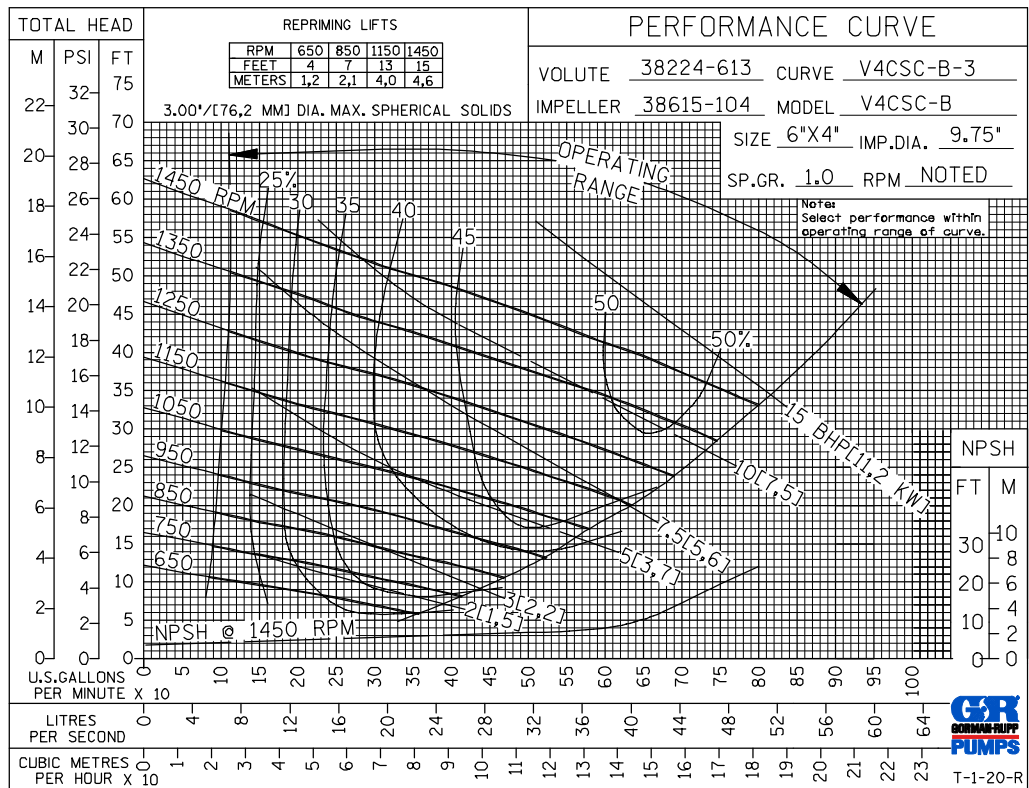
Printed in U.S.A.

60 HERTZ  
PERFORMANCE  
BASED ON  
WATER

TRIMMED  
IMPELLER



60 HERTZ  
PERFORMANCE  
BASED ON  
WATER

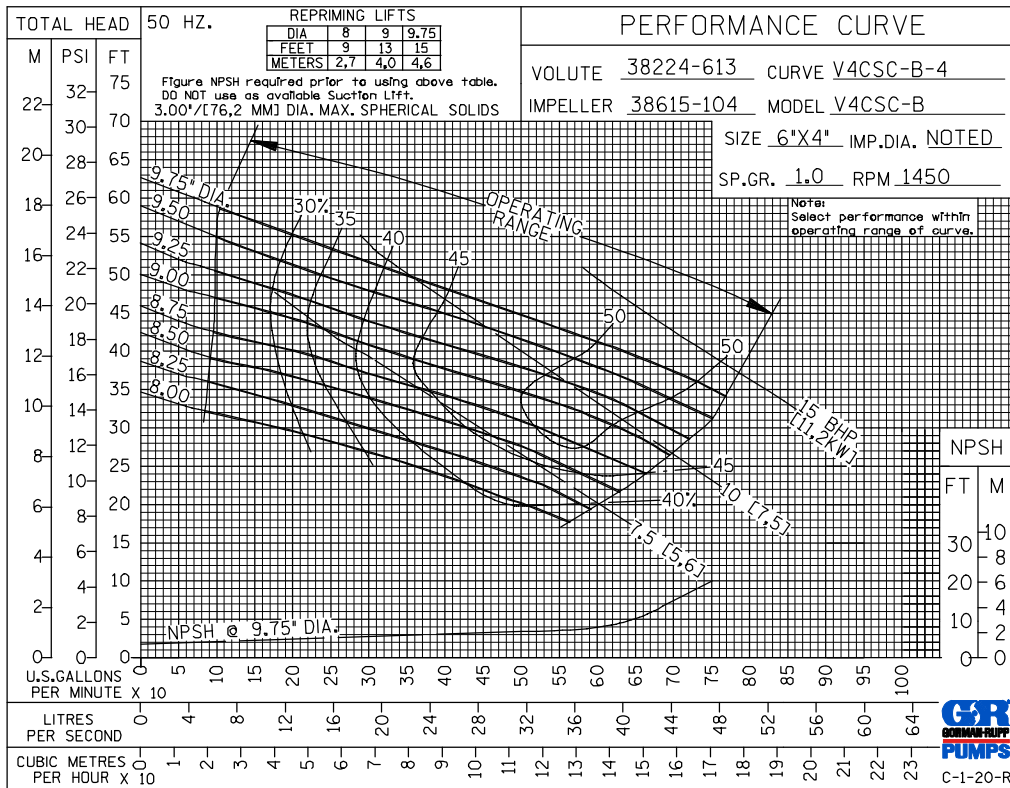


GORMAN-RUPP PUMPS

www.grpumps.com

Specifications Subject to Change Without Notice

Printed in U.S.A.



**50 HERTZ  
PERFORMANCE  
BASED ON  
WATER  
TRIMMED  
IMPELLER**



GORMAN-RUPP PUMPS

www.grpumps.com

Specifications Subject to Change Without Notice

Printed in U.S.A.