

Stainless Steel Basic Pedestal Self Priming Centrifugal Pump

Super
U SERIES

Model U4B65S-B

Size 4" x 4"



PUMP SPECIFICATIONS

Size: 4" x 4" (102 mm x 102 mm) NPT - Female.

Casing: Stainless Steel CD4MCu.

Maximum Operating Pressure 128 psi (883 kPa).*

Semi-Open Type, Six Vane Impeller: Stainless Steel CD4MCu.
Handles 13/16" (20,6 mm) Diameter Spherical Solids.

Impeller Shaft: Stainless Steel 17-4 PH.

Replaceable Wear Plate: Stainless Steel CD4MCu.

Removable Adjustable Cover Plate: Stainless Steel CD4MCu;
55 lbs. (25 kg).

Bearing Housing: Stainless Steel CD4MCu.

Seal Plate: Stainless Steel CD4MCu.

Flap Valve: Stainless Steel CD4MCu w/Fluorocarbon Elastomers
(DuPont Viton® or Equivalent).

Radial Bearing: Open Single Ball.

Thrust Bearing: Open Double Ball.

Bearing and Seal Cavity Lubrication: SAE 30 Non-Detergent Oil.

Suction Flange: 125# Stainless Steel CD4MCu.

Discharge Flange: 125# Stainless Steel 316.

Gaskets: Fluorocarbon (DuPont Viton® or Equivalent) and PTFE.

O-Rings: Fluorocarbon (DuPont Viton® or Equivalent).

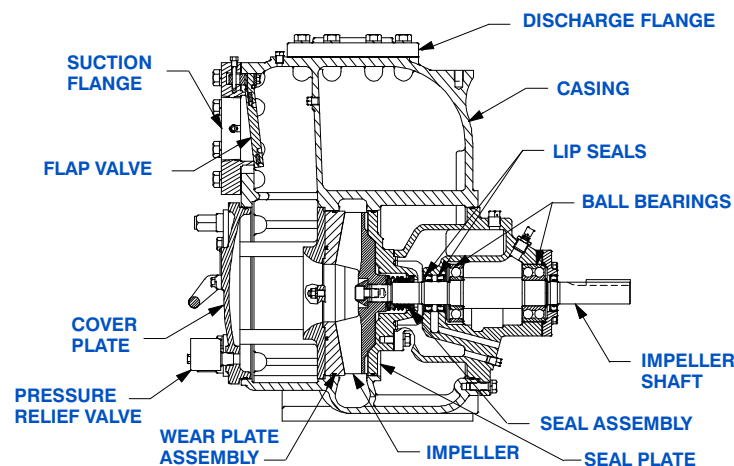
Hardware: Stainless Steel 316.

Stainless Steel 316 Pressure Relief Valve.

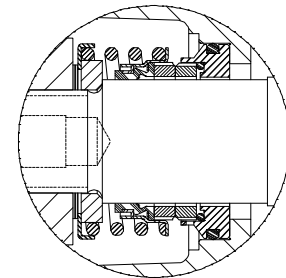
Bearing and Seal Cavity Oil Level Sight Gauges.

Optional Equipment: Automatic Air Release Valve. 120V/240V
Casing Heater. High Pump Temperature Shutdown Kit. Metal
Bellows Seal. Stainless Steel CD4MCu Suction and Discharge
Spool Flanges;

4" ASA (Specify Model U4B65S-B /F).
102 mm DIN 2527.



Shown w/Optional Spool Flanges



SEAL DETAIL

Mechanical, Oil-Lubricated, Double Floating, Self-Aligning. Silicon Carbide Rotating and Stationary Faces. Stainless Steel 316 Stationary Seat. Fluorocarbon Elastomers (DuPont Viton® or Equivalent). Stainless Steel 316 Cage and Spring. Maximum Temperature of Liquid Pumped, 160°F (71°C).*

**Consult Factory for Applications Exceeding Maximum Pressure and/or Temperature Indicated.*



GORMAN-RUPP PUMPS

www.grpumps.com

Specifications Subject to Change Without Notice

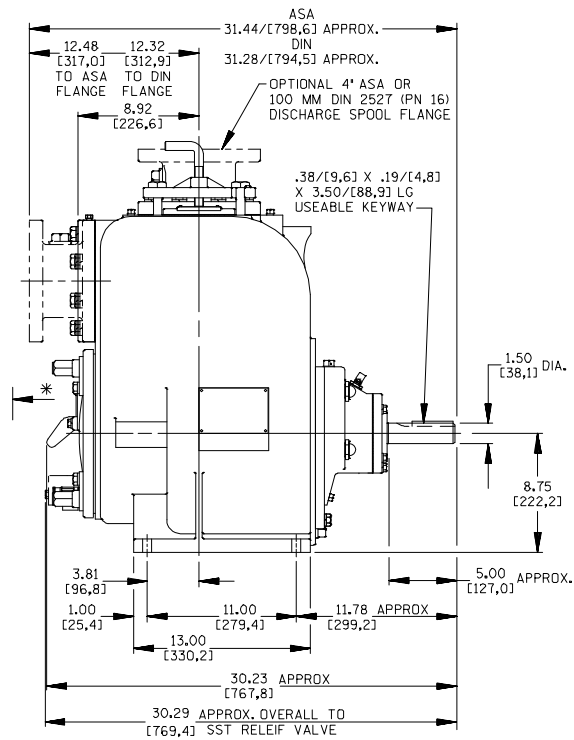
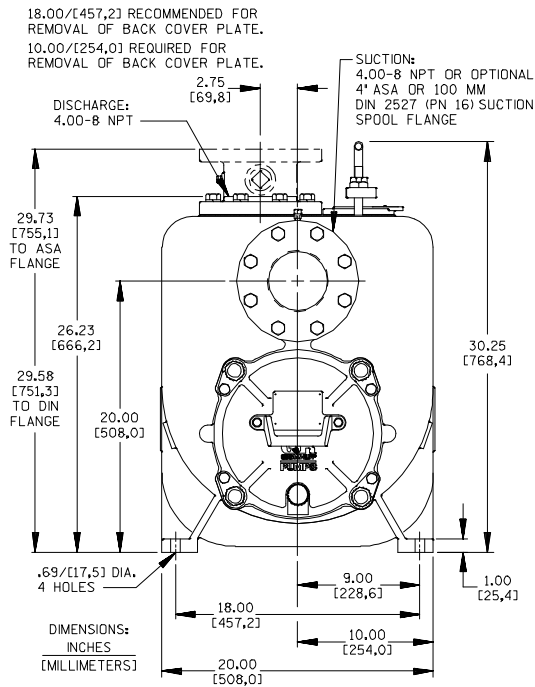
Printed in U.S.A.

Specification Data

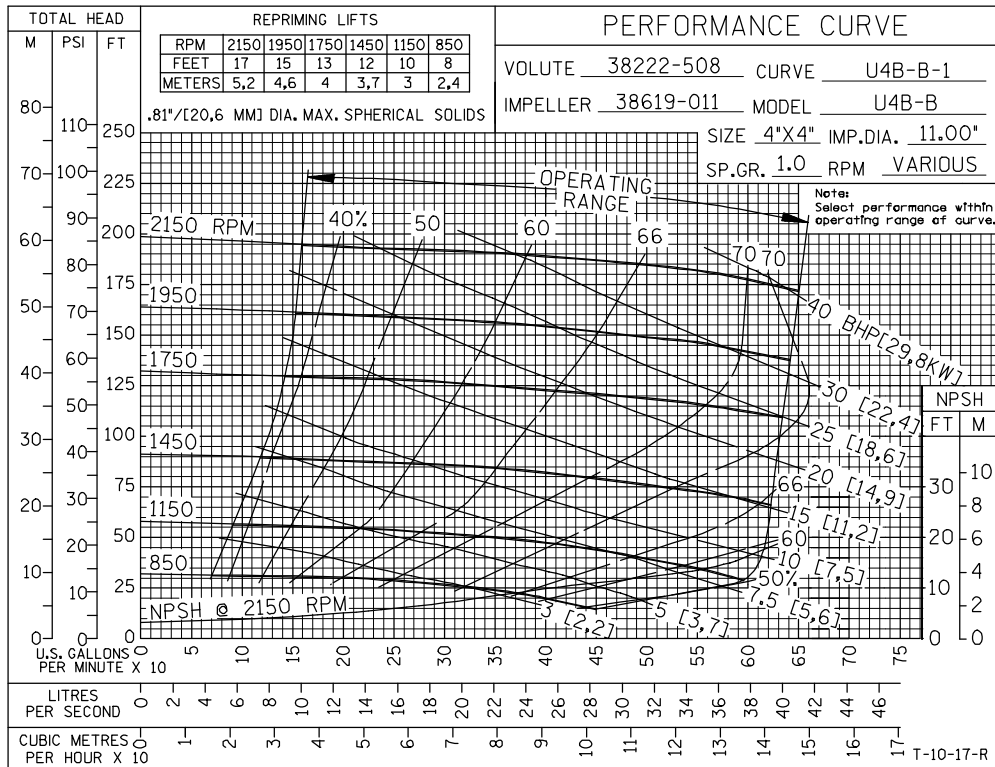
SECTION 50, PAGE 2830

APPROXIMATE
DIMENSIONS and WEIGHTS

NET WEIGHT: 706 LBS. (320 KG.)
SHIPPING WEIGHT: 754 LBS. (342 KG.)
EXPORT CRATE: 20 CU. FT. (0,57 CU. M.)



NOTE: OPTIONAL ASA OR DIN STANDARD SPOOL FLANGES AVAILABLE



GORMAN-RUPP PUMPS

www.grpumps.com

Specifications Subject to Change Without Notice

Printed in U.S.A.