

CDS

Self Priming Centrifugal Pump

**Super
U SERIES****Model U3B60S-B
Size 3" x 3"****PUMP SPECIFICATIONS****Size:** 3" x 3" (76 mm x 76 mm) NPT - Female.**Casing:** Gray Iron 30.

Maximum Operating Pressure 137 psi (945 kPa).*

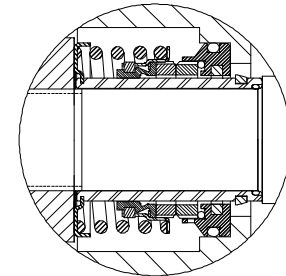
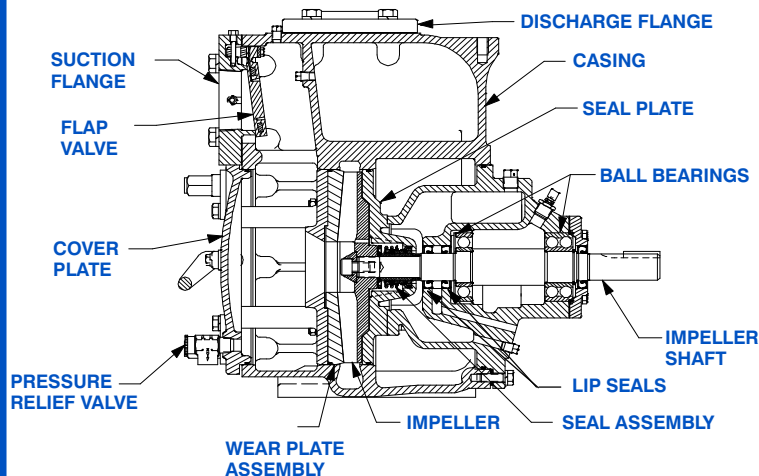
Semi-Open Type, Six Vane Impeller: Ductile Iron 60-40-18.
Handles 13/16" (20,6 mm) Diameter Spherical Solids.**Impeller Shaft:** Alloy Steel 4150.**Replaceable Wear Plate:** Gray Iron 30.**Removable Adjustable Cover Plate:** Gray Iron 30; 48 lbs. (22 kg).**Bearing Housing:** Gray Iron 30.**Seal Plate:** Gray Iron 30.**Shaft Sleeve:** Alloy Steel 4130.**Flap Valve:** Neoprene w/Nylon and Steel Reinforcing.**Radial Bearing:** Open Single Row Ball.**Thrust Bearing:** Open Double Row Ball.**Bearing and Seal Cavity Lubrication:** SAE 30 Non-Detergent Oil.**Flanges:** 125# Gray Iron 30.**Gaskets:** Cork, Rubber, Vegetable Fiber, PTFE, Buna-N
w/Compressed Synthetic Fibers.**O-Rings:** Buna-N.**Hardware:** Standard Plated Steel.**Brass Pressure Relief Valve.****Bearing and Seal Cavity Oil Level Sight Gauges.****Optional Equipment:** Stainless Steel 316 Pressure Relief Valve. G-R Hard Iron Impeller, Seal Plate and Wear Plate. Automatic Air Release Valve. 120V/240V Casing Heater. High Pump Temperature Shutdown Kit. Permalon, Kalrez or Fluorocarbon Metal Bellows Seals. Stainless Steel Cartridge Seal. Gray Iron 30 Suction and Discharge Spool Flanges:

3" ASA (Specify Model U3B60S-B /F).

80 mm DIN 2527 (PN 16). (Specify Model U3B60S-B /FM).

***Consult Factory for Applications Exceeding Maximum Pressure and/or Temperature Indicated.**

Shown w/Optional Spool Flanges

**SEAL DETAILS**

Cartridge Type, Mechanical, Oil-Lubricated, Double Floating, Self-Aligning. Silicon Carbide Rotating and Stationary Faces. Stainless Steel 316 Stationary Seat. Fluorocarbon Elastomers (DuPont Viton® or Equivalent). Stainless Steel 18-8 Cage and Spring. Maximum Temperature of Liquid Pumped, 160°F (71°C).*

**THE GORMAN-RUPP COMPANY • MANSFIELD, OHIO**

GORMAN-RUPP OF CANADA LIMITED • ST. THOMAS, ONTARIO, CANADA

www.grpumps.com

Specifications Subject to Change Without Notice

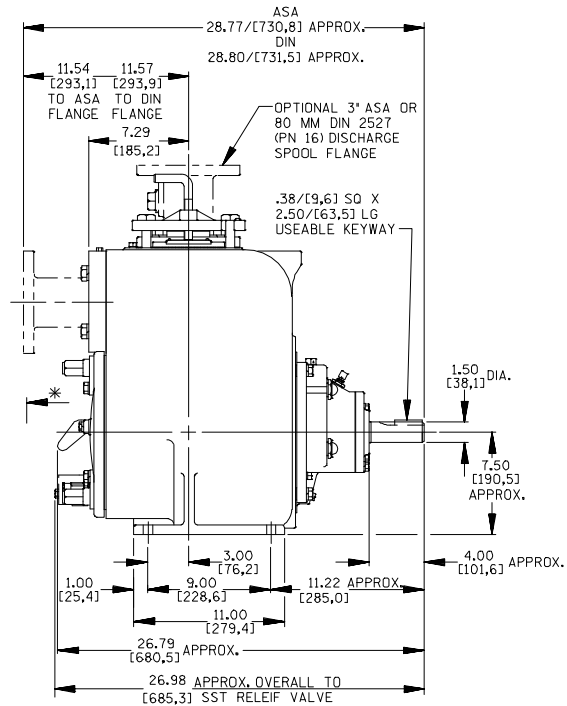
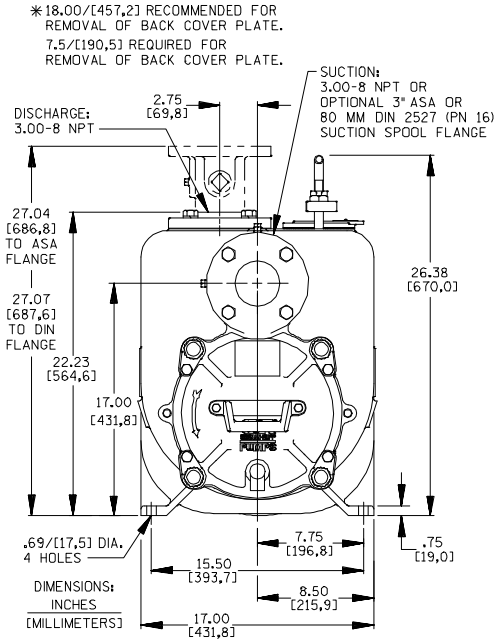
Printed in U.S.A.

Specification Data

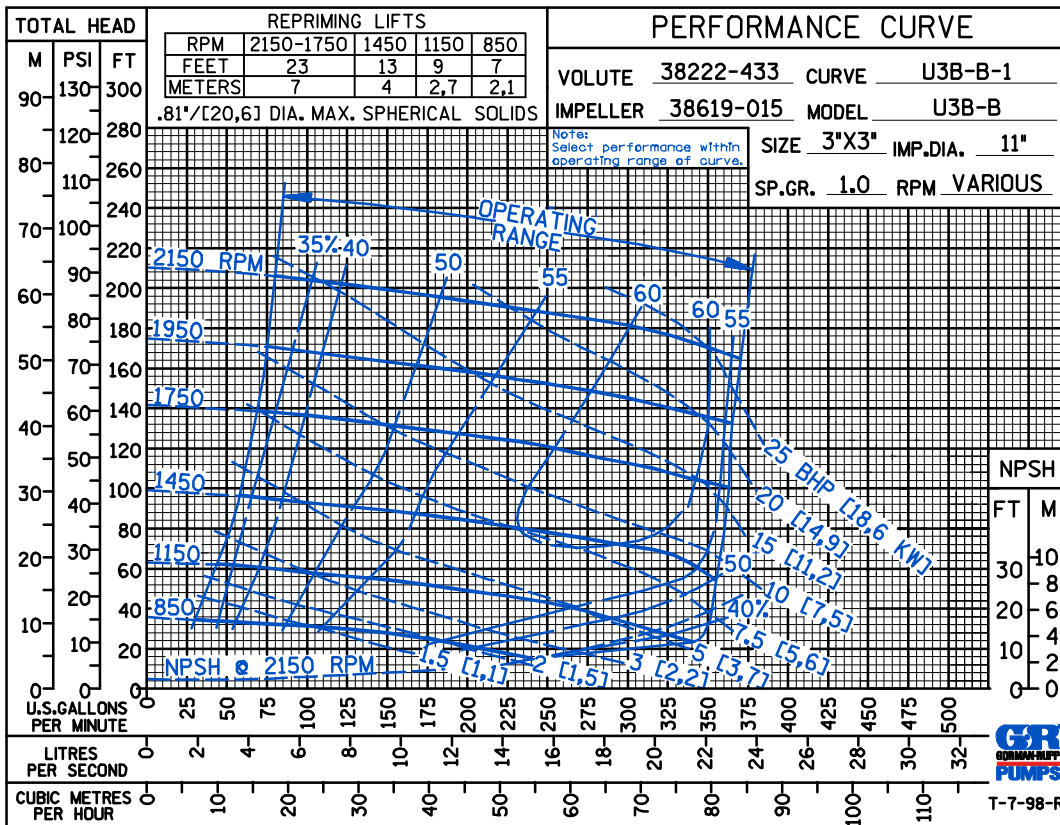
SECTION 50, PAGE 2710

APPROXIMATE DIMENSIONS and WEIGHTS

NET WEIGHT: 490 LBS. (222 KG.)
SHIPPING WEIGHT: 515 LBS. (234 KG.)
EXPORT CRATE: 14 CU. FT. (0,4 CU. M.)



NOTE: OPTIONAL ASA OR DIN STANDARD SPOOL FLANGES AVAILABLE



THE GORMAN-RUPP COMPANY • MANSFIELD, OHIO

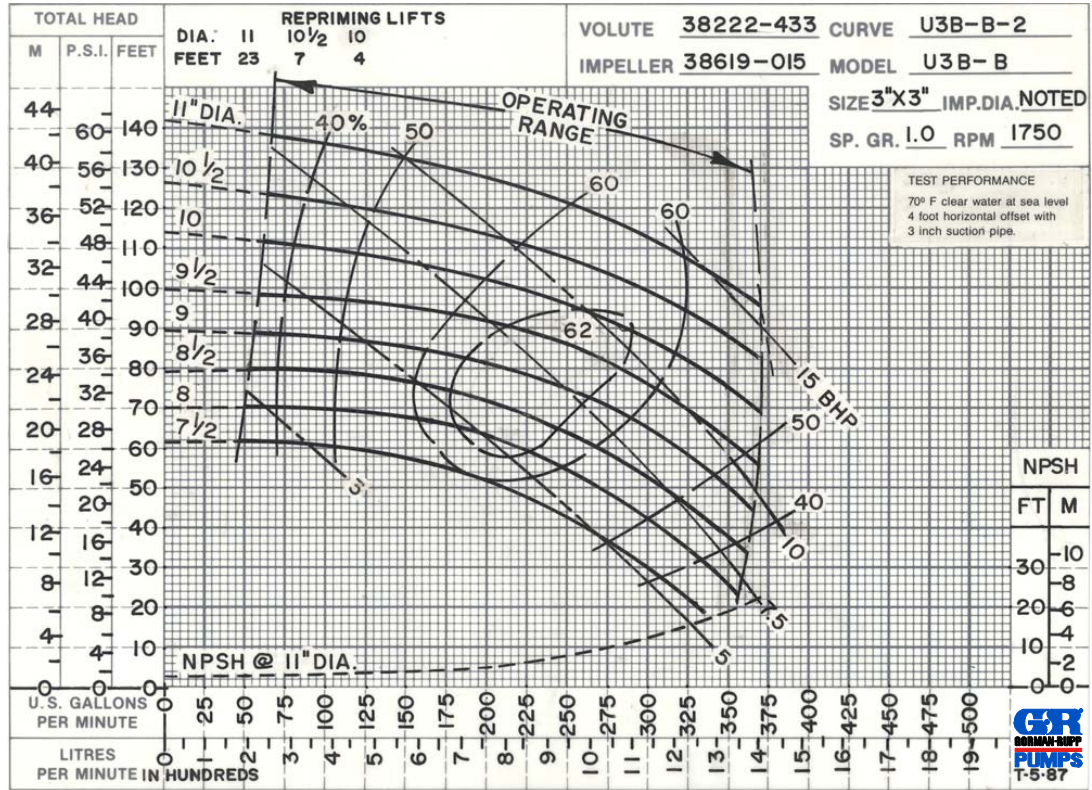
GORMAN-RUPP OF CANADA LIMITED • ST. THOMAS, ONTARIO, CANADA

Specifications Subject to Change Without Notice

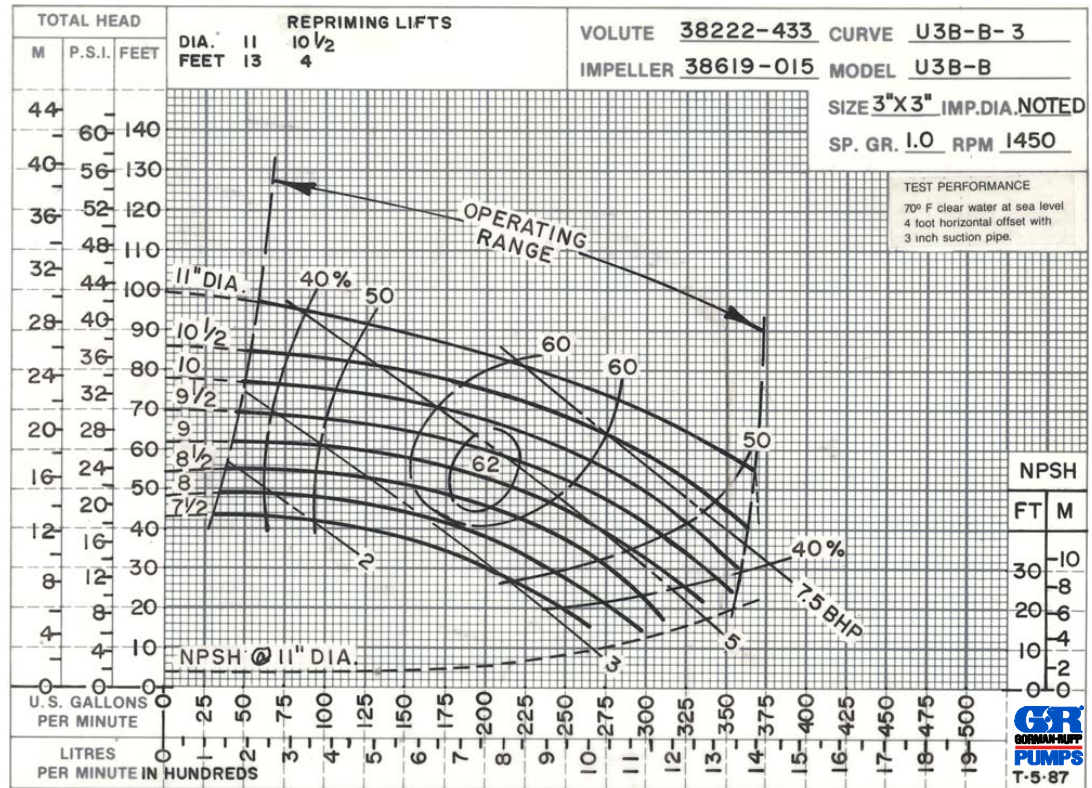
Printed in U.S.A.

CDS

PERFORMANCE
BASED ON
WATER



50 HERTZ
PERFORMANCE
BASED ON
WATER



THE GORMAN-RUPP COMPANY • MANSFIELD, OHIO

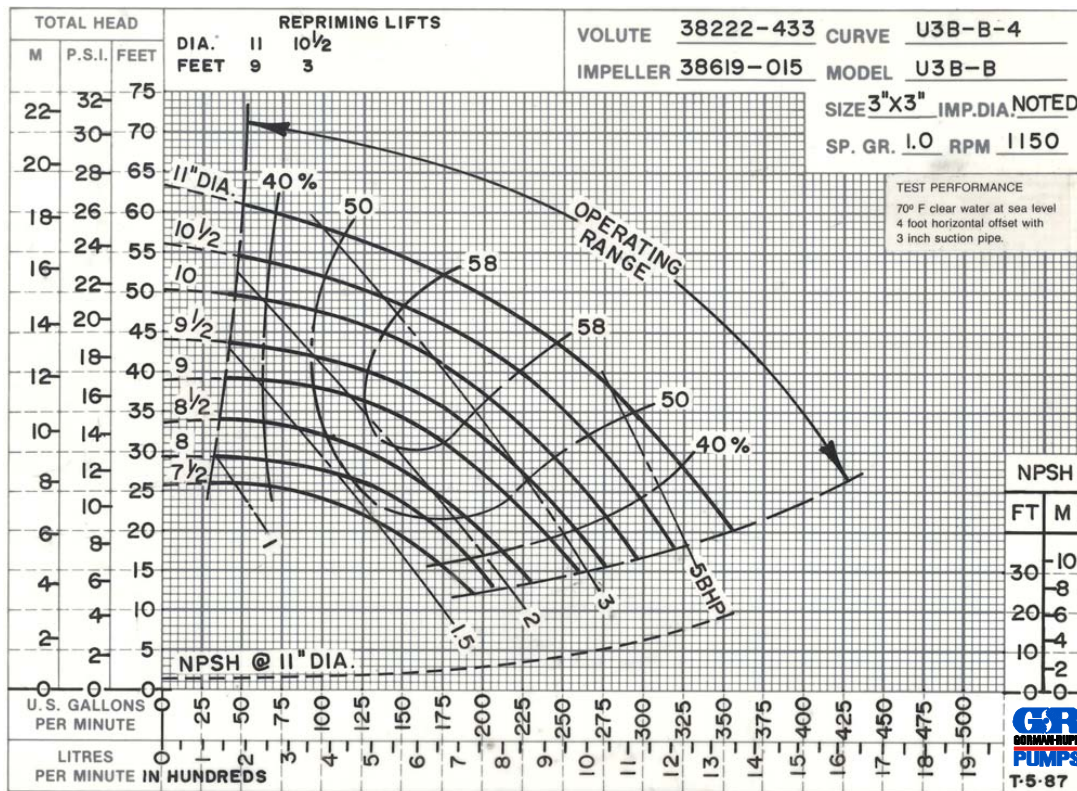
GORMAN-RUPP OF CANADA LIMITED • ST. THOMAS, ONTARIO, CANADA

Specifications Subject to Change Without Notice

Printed in U.S.A.

CDS

PERFORMANCE
BASED ON
WATER



THE GORMAN-RUPP COMPANY • MANSFIELD, OHIO

GORMAN-RUPP OF CANADA LIMITED • ST. THOMAS, ONTARIO, CANADA

Specifications Subject to Change Without Notice

Printed in U.S.A.