

Basic Pedestal

A B C D E

# Self Priming Centrifugal Pump



## Models 81 1/2A3-B and 81 1/2A52-B

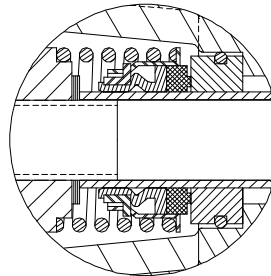
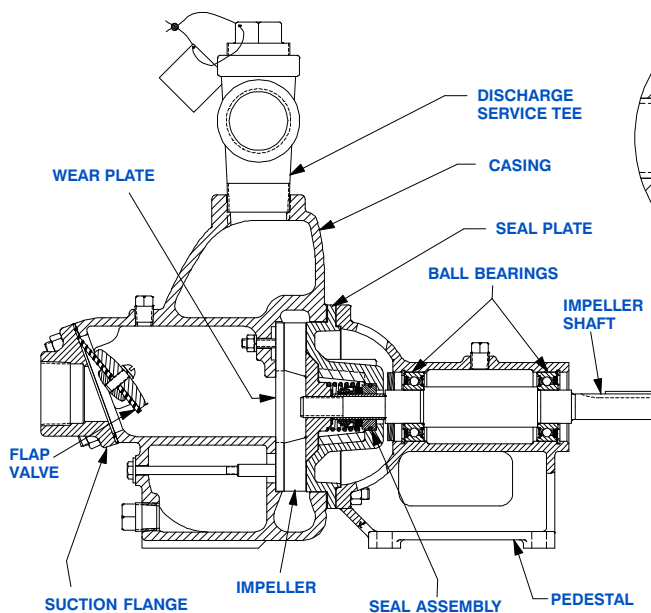
Size 1 1/2" x 1 1/2"

**PUMP SPECIFICATIONS**

- Size:** 1 1/2" x 1 1/2" (38 mm x 38 mm) NPT - Female.
- Casing:** Gray Iron 30.  
Maximum Operating Pressure 60 psi (414 kPa)\*.
- Semi-Open Type, Three Vane Impeller:** Ductile Iron 65-45-12.  
Handles 5/8" (15,8 mm) Diameter Spherical Solids.
- Impeller Shaft:** Carbon Steel 1215.
- Replaceable Wear Plate:** Carbon Steel 1026.
- Pedestal:** Gray Iron 30.
- Seal Plate:** Gray Iron 30.
- Shaft Sleeve:** Stainless Steel 304.
- Flap Valve:** Buna-N, Steel and Gray Iron 30.
- Radial and Thrust Bearings:** Open Single Row Ball.
- Bearing Lubrication:** Grease.
- Suction Flange:** Gray Iron 30.
- Gaskets:** Cork.
- Hardware:** Standard Plated Steel and Stainless Steel.
- Discharge Service Tee:** Ductile Iron.
- Optional Equipment:** Silicon Carbide Seal. Viton Seal.
- All Iron Construction.



*\*Consult Factory for Applications Exceeding Maximum Pressure and/or Temperature Indicated.*

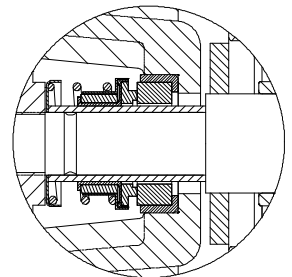


**81 1/2A3-B SEAL DETAIL**

Type 2, Mechanical, Self Lubricated. Carbon Rotating Face. Ceramic Stationary Face. Buna-N Elastomers. Stainless Steel 18-8 Cage and Spring. Maximum Temperature of Liquid Pumped 160°F (71°C).\*

**81 1/2A52-B SEAL DETAIL**

Type 31, Mechanical, Self-Lubricated. Silicon Carbide Rotating and Stationary Faces. Fluorocarbon Elastomers (Du-Pont Viton® or Equivalent). Stainless Steel 18-8 Cage and Spring. Maximum Temperature of Liquid Pumped 160°F (71°C).\*



81 1/2A3-B SHOWN



THE GORMAN-RUPP COMPANY • MANSFIELD, OHIO

GORMAN-RUPP OF CANADA LIMITED • ST. THOMAS, ONTARIO, CANADA

www.grpumps.com

Specifications Subject to Change Without Notice

Printed in U.S.A.

**Specification Data**

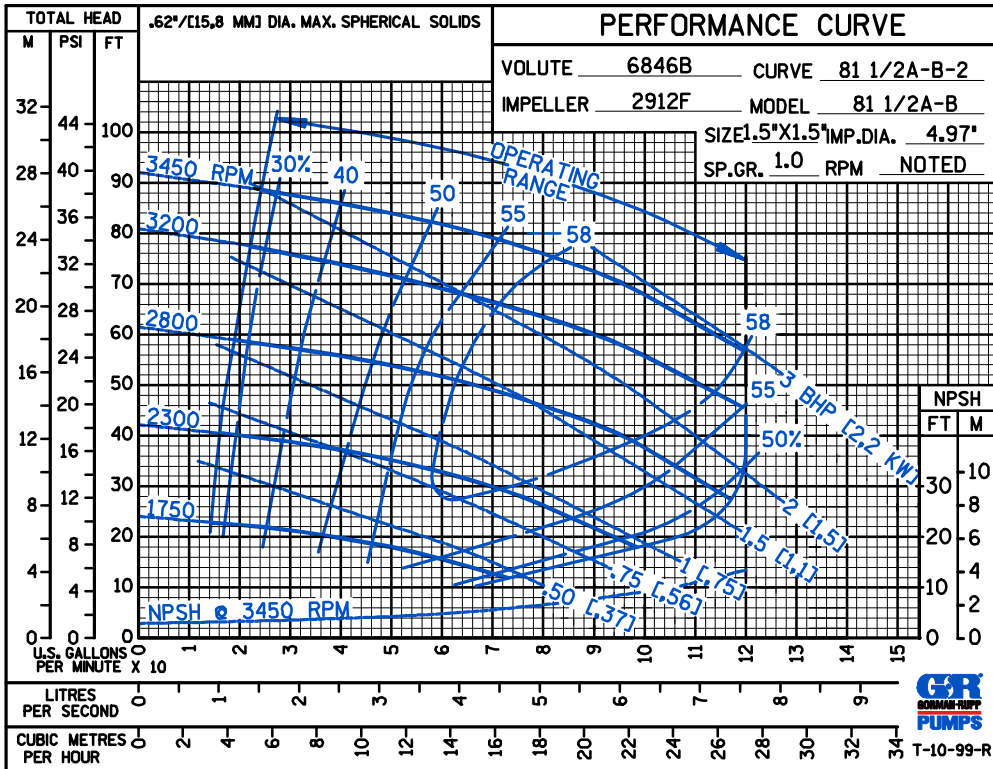
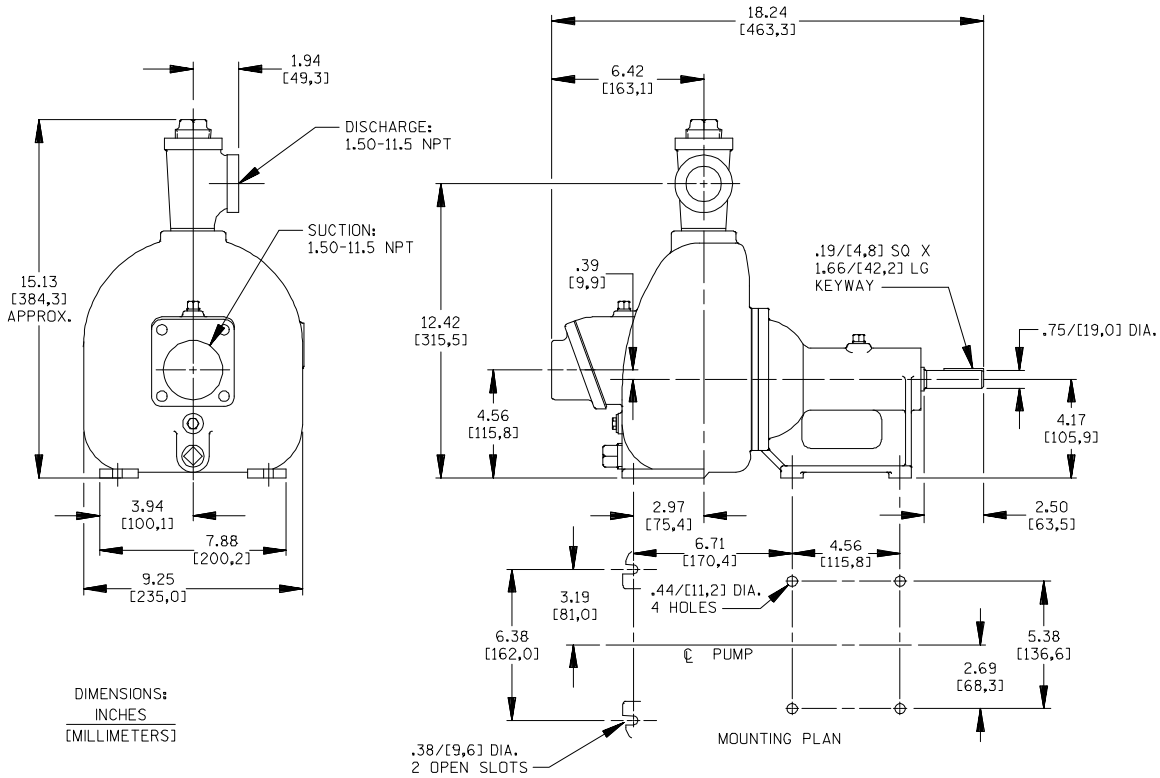
**SECTION 50, PAGE 901**

APPROXIMATE  
DIMENSIONS and WEIGHTS

**NET WEIGHT: 55 LBS. (25 KG.)**

**SHIPPING WEIGHT: 65 LBS. (29,5 KG.)**

**EXPORT CRATE: 3.5 CU. FT. (0,10 CU. M.)**



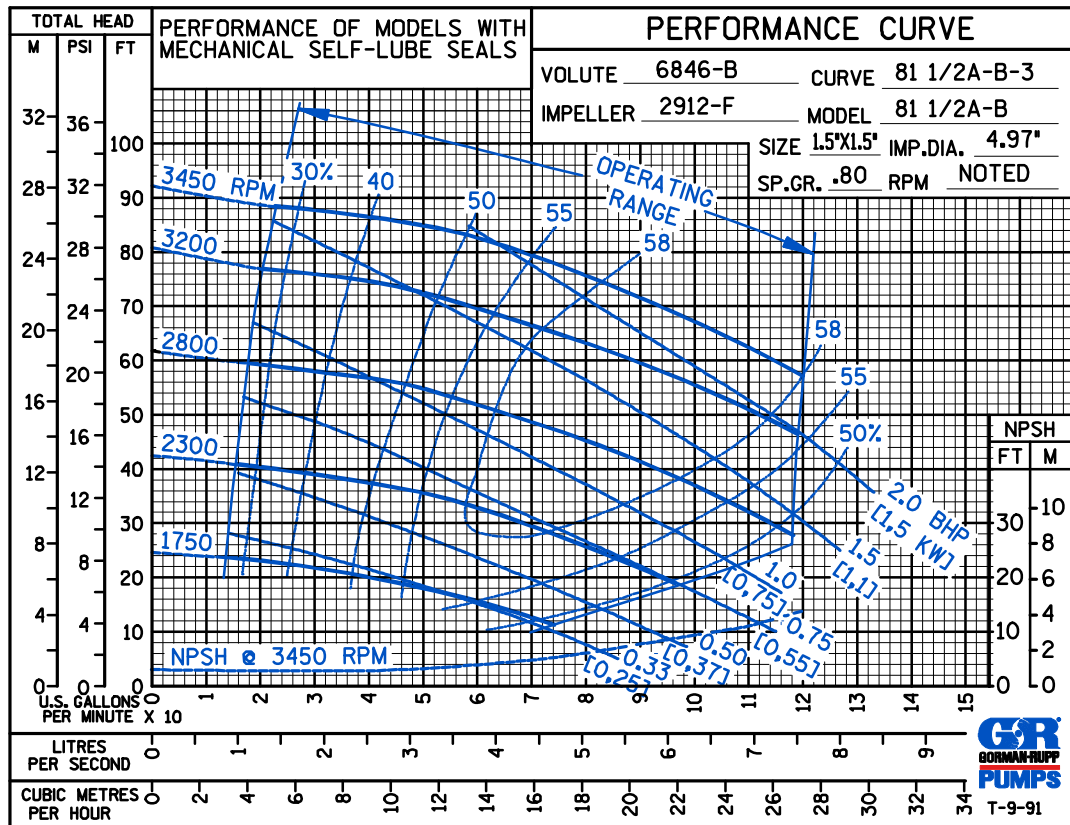
**THE GORMAN-RUPP COMPANY • MANSFIELD, OHIO**

GORMAN-RUPP OF CANADA LIMITED • ST. THOMAS, ONTARIO, CANADA

Specifications Subject to Change Without Notice

Printed in U.S.A.

A B C D E



THE GORMAN-RUPP COMPANY • MANSFIELD, OHIO

GORMAN-RUPP OF CANADA LIMITED • ST. THOMAS, ONTARIO, CANADA

Specifications Subject to Change Without Notice

Printed in U.S.A.