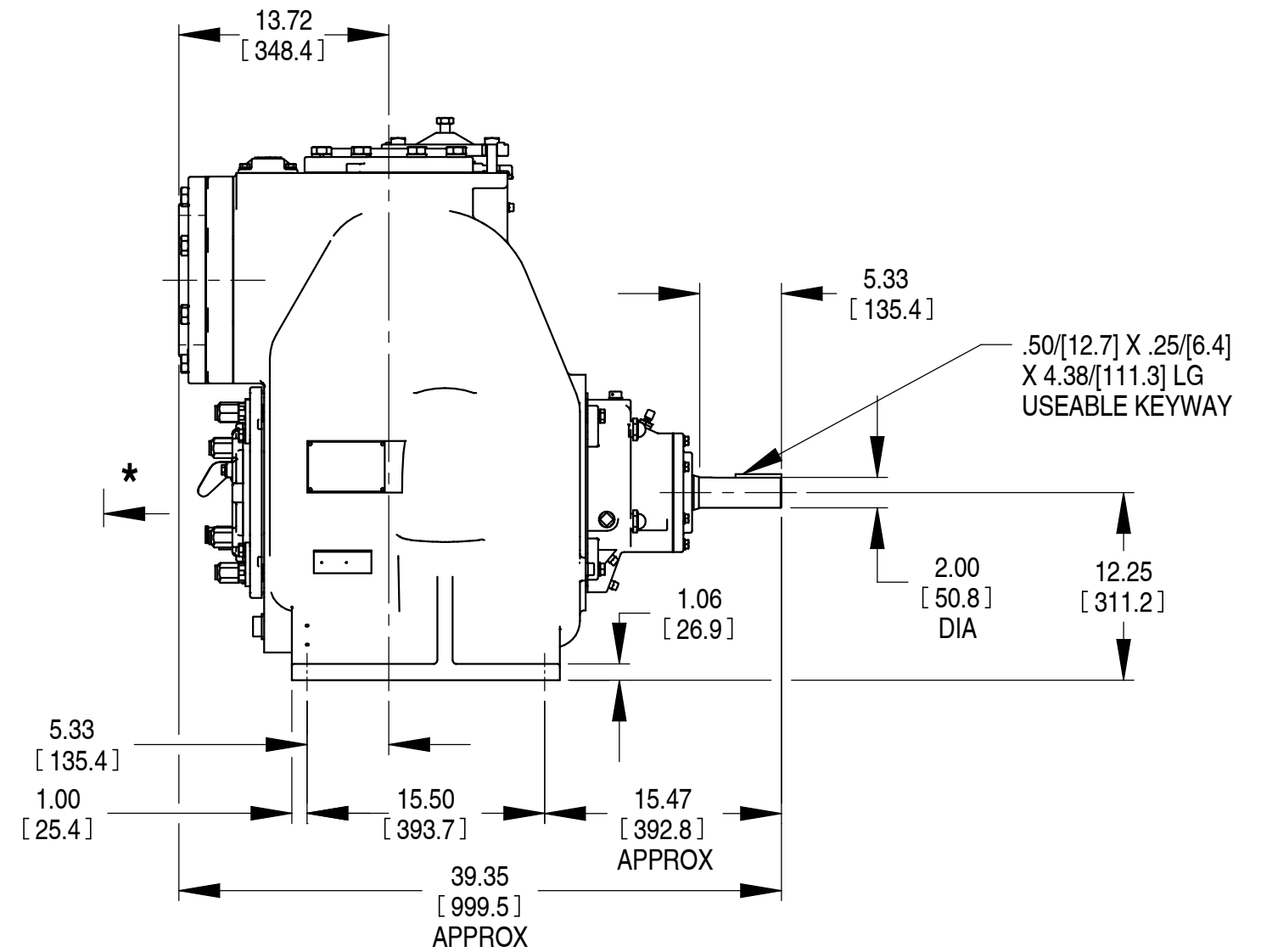
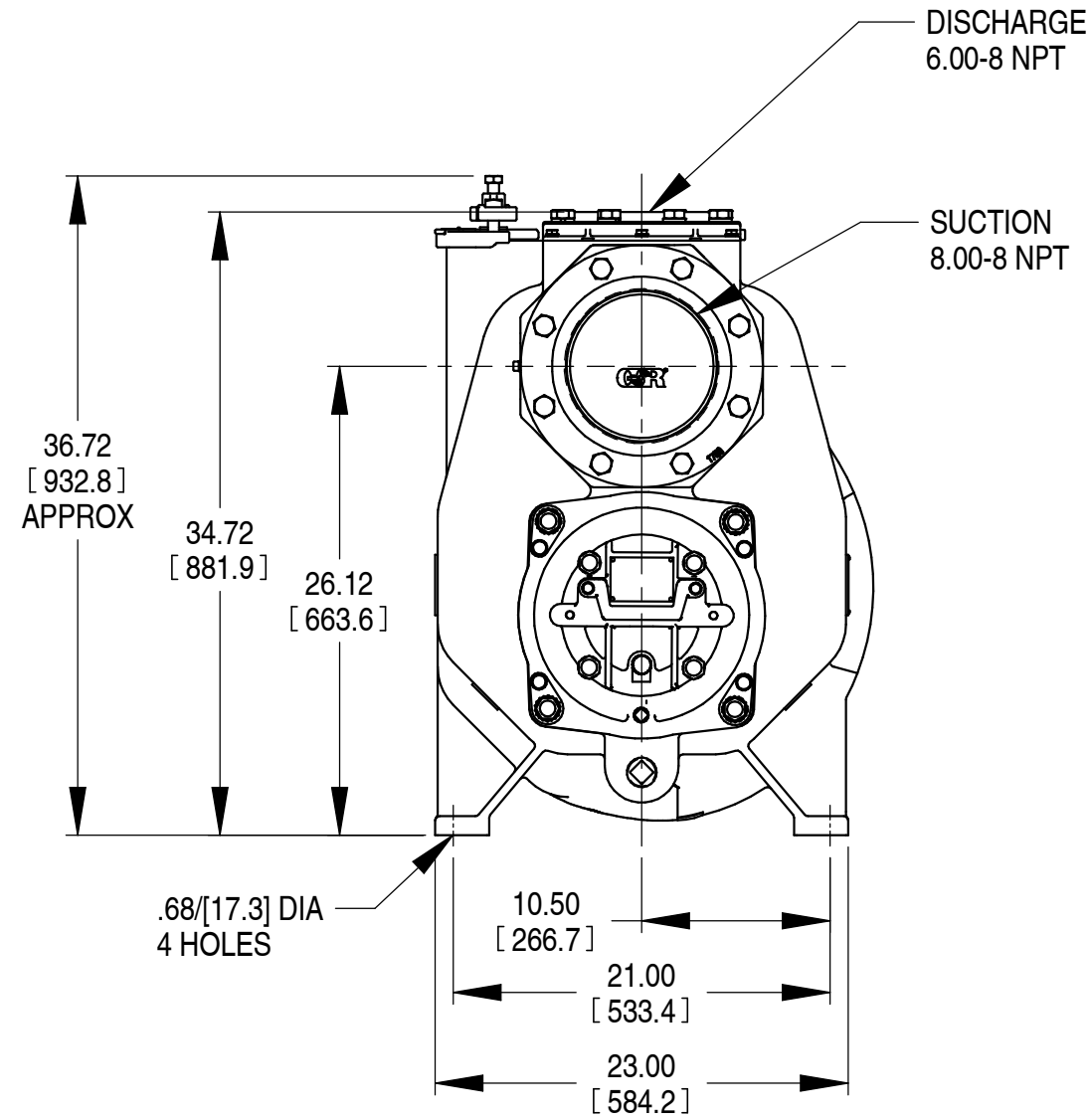


\* 24.00/[609,6] RECOMMENDED FOR  
REMOVAL OF BACK COVER PLATE

14.00/[355,6] REQUIRED FOR  
REMOVAL OF BACK COVER PLATE



DIMENSIONS:  
INCHES  
[MILLIMETERS]

SHOWN WITH OPTIONAL NPT FLANGES



**THE GORMAN-RUPP CO.**

MANSFIELD, OHIO

ST. THOMAS, ONTARIO

DRAWN BY  
DFB

DATE  
4/14/2005

SCALE  
3/32

REVISED  
10/24/18

MODEL  
V6A-B / V6CSC-B

OUTLINE NUMBER  
17869