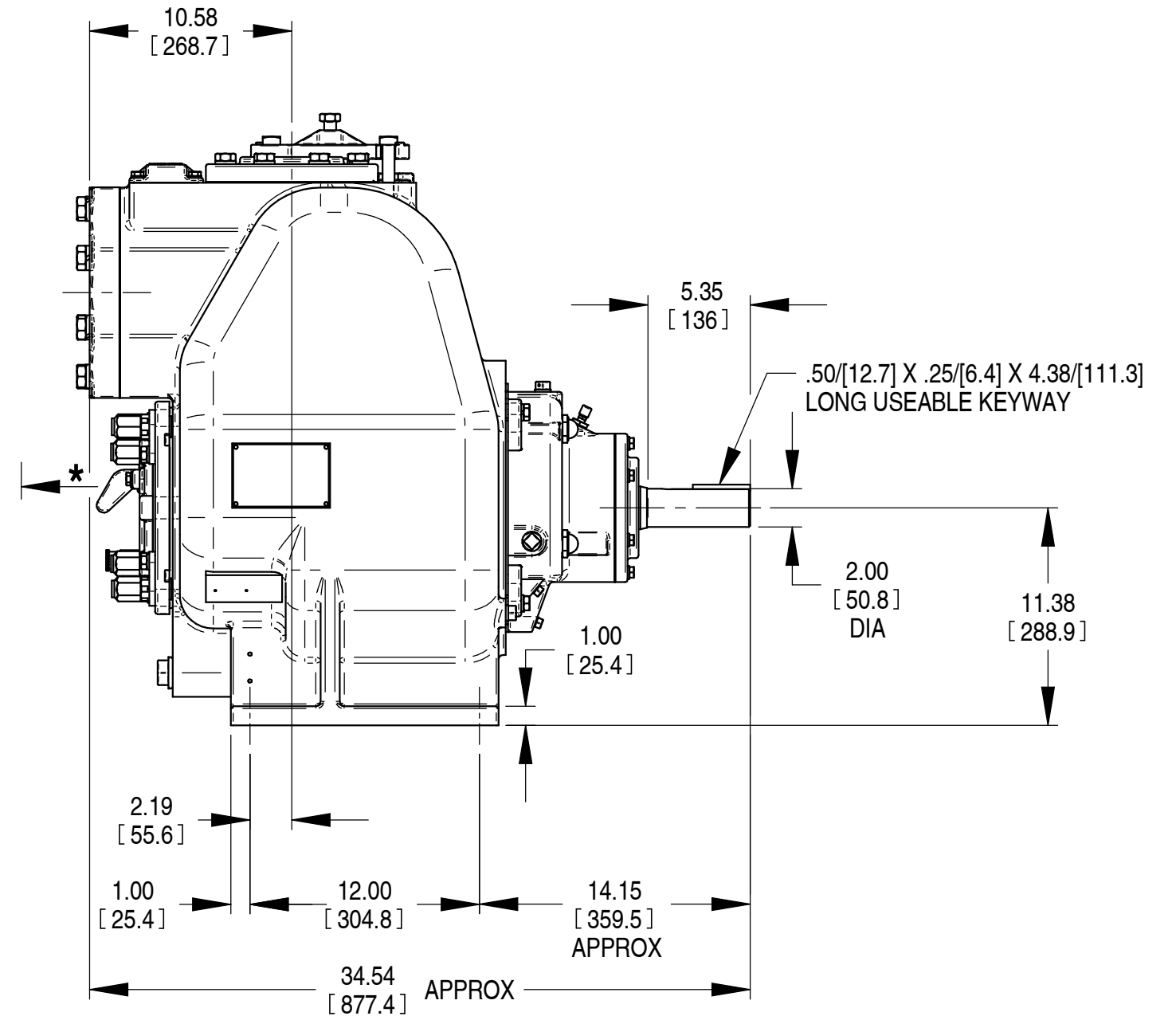
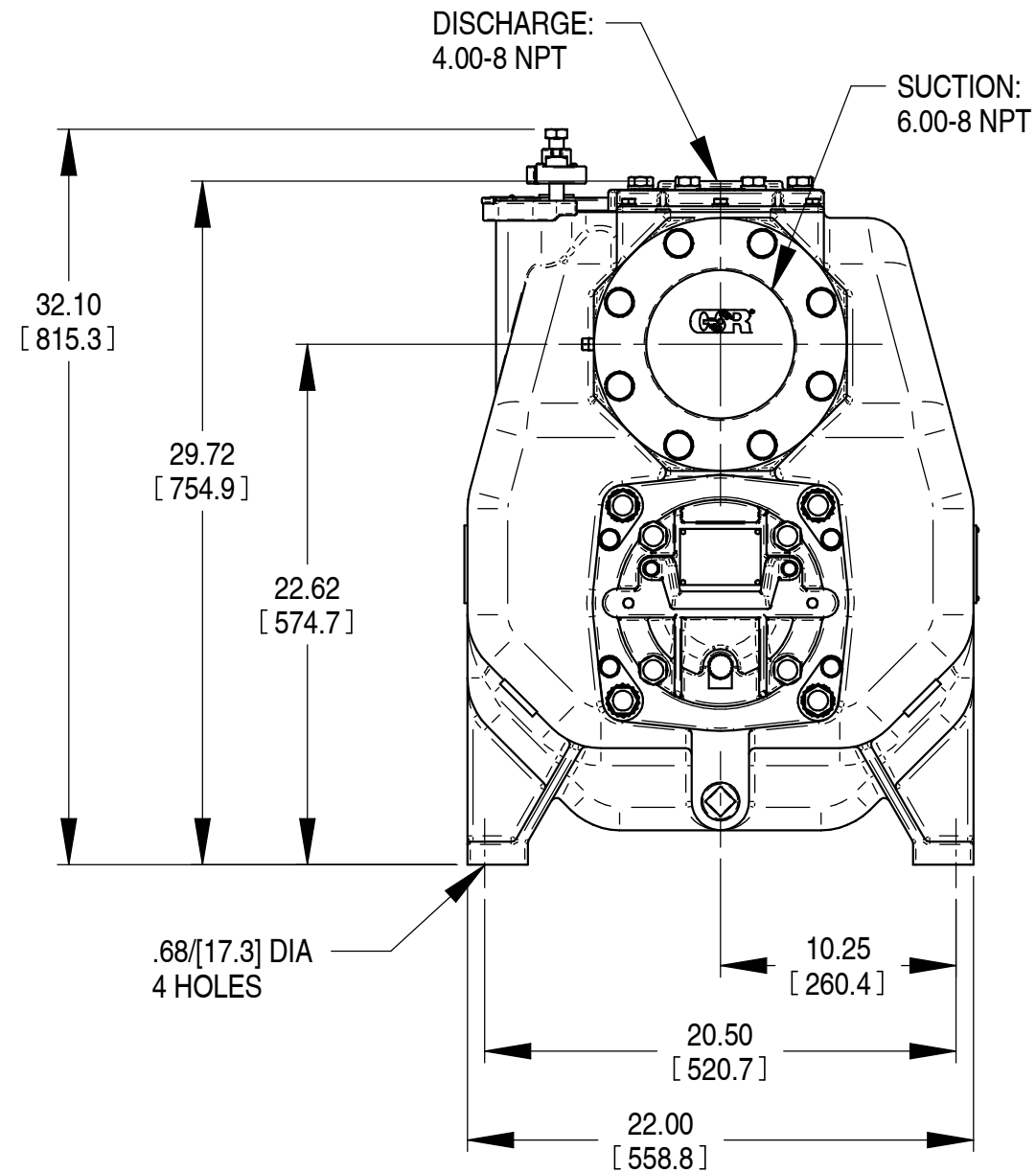


\* 18.00/[457.2] RECOMMENDED FOR  
REMOVAL OF BACK COVER PLATE

10.50/[266.7] REQUIRED FOR  
REMOVAL OF BACK COVER PLATE



DIMENSIONS:  
INCHES  
[MILLIMETERS]

SHOWN WITH OPTIONAL NPT DISCHARGE FLANGE

20-008



**THE GORMAN-RUPP CO.**  
MANSFIELD, OHIO ST. THOMAS, ONTARIO

DRAWN BY  
DFB  
DATE  
1/27/2006

SCALE  
1/8  
REVISED  
8/13/2020

MODEL  
V4A-B / V4CSC-B  
OUTLINE NUMBER  
17863