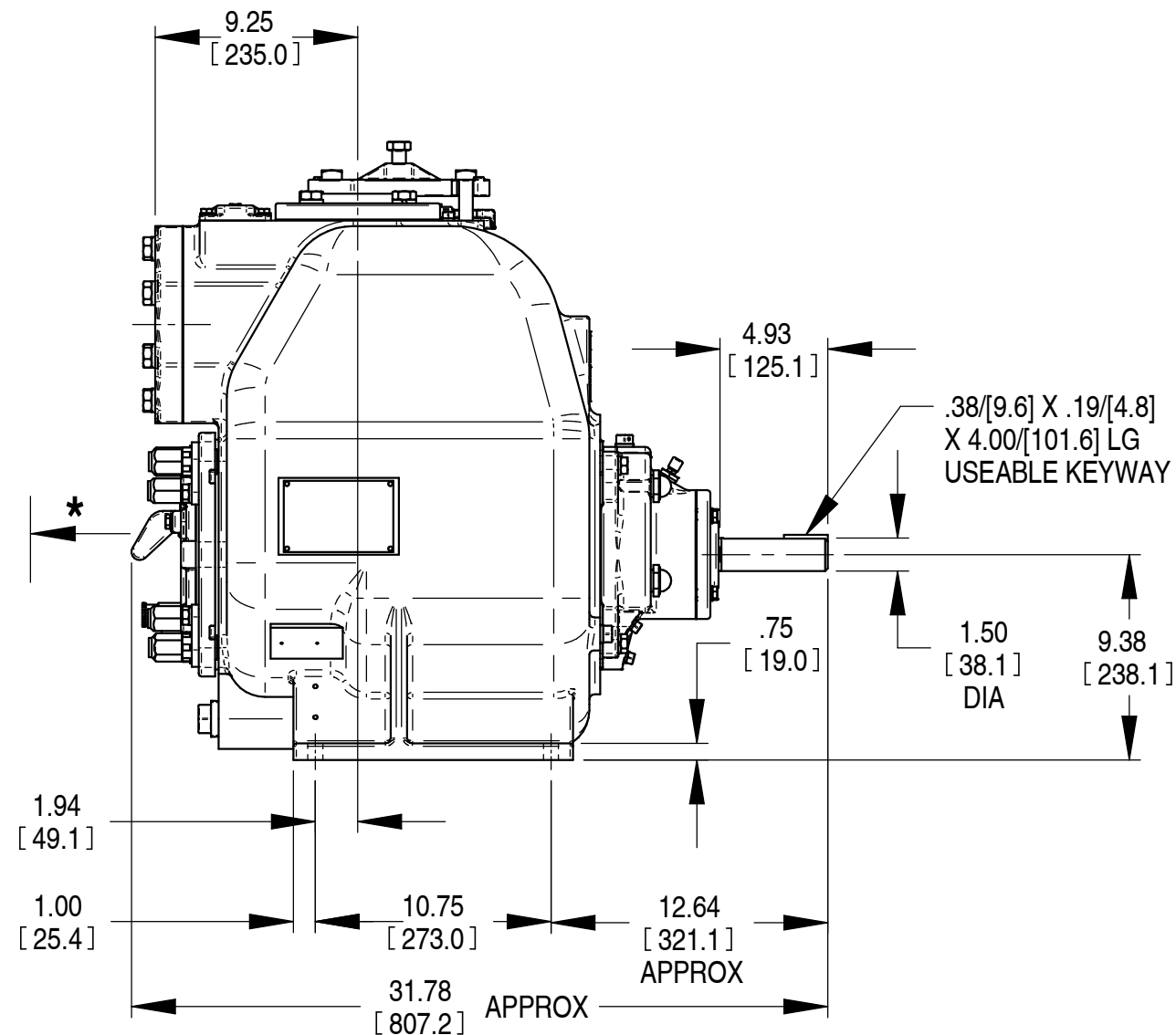
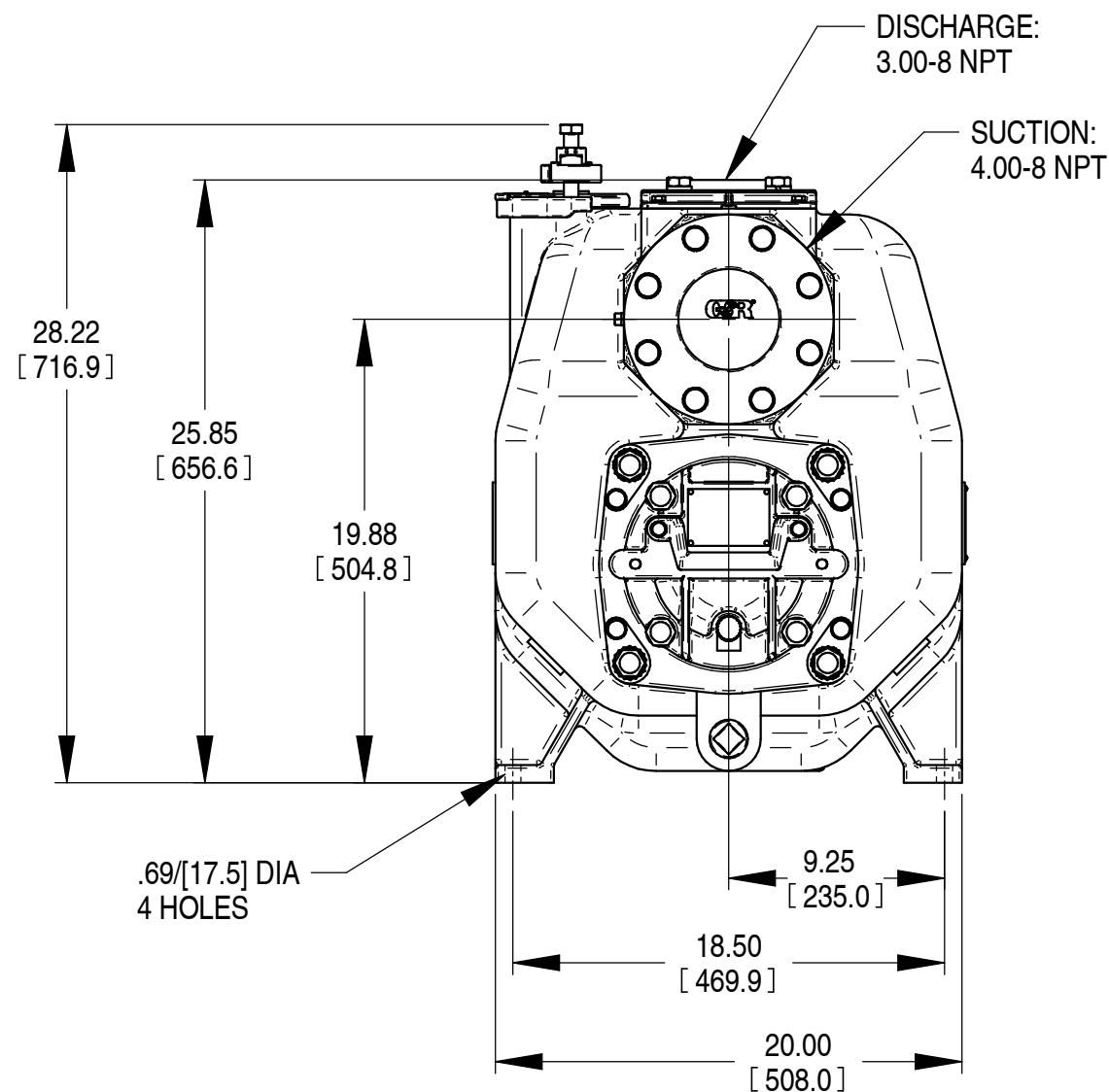


* 18.00/[457.2] RECOMMENDED FOR REMOVAL OF BACK COVER PLATE

10.50/[266.7] REQUIRED FOR REMOVAL OF BACK COVER PLATE



SHOWN WITH OPTIONAL NPT DISCHARGE FLANGE

V3A-B
V3B-B
V3CSC-B
V3DSC-B

DIMENSIONS:
INCHES
[MILLIMETERS]

20-008



THE GORMAN-RUPP CO.
MANSFIELD, OHIO ST. THOMAS, ONTARIO

DRAWN BY
DFB
DATE
5/4/2006

SCALE
3/16
REVISED
7/13/2020

MODEL
NOTED
OUTLINE NUMBER
17857