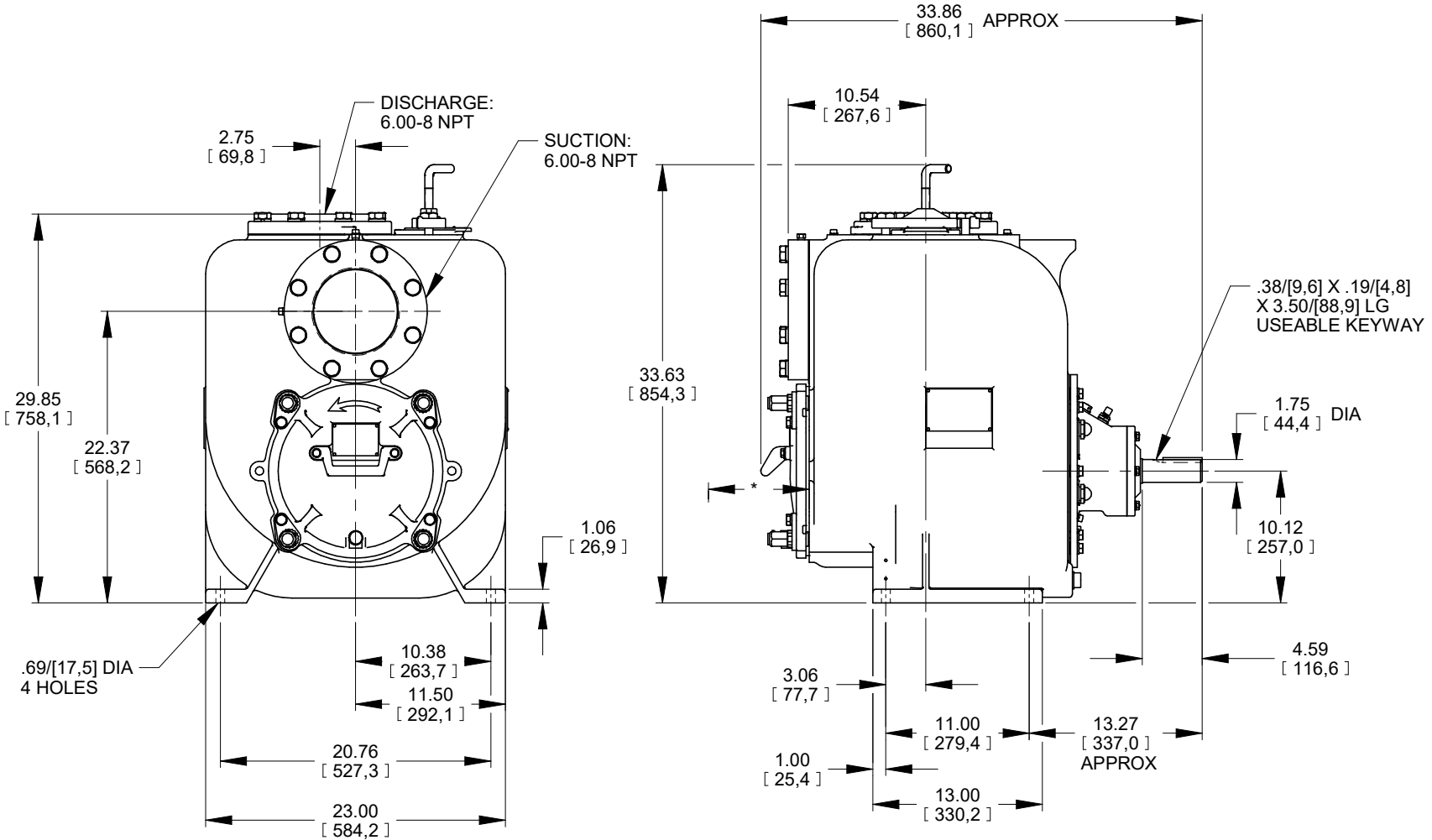


* 24.00/[609,6] RECOMMENDED FOR
REMOVAL OF BACK COVER PLATE
11.50/[292,1] REQUIRED FOR
REMOVAL OF BACK COVER PLATE



DIMENSIONS:
INCHES
[MILLIMETERS]

G&R PUMPS THE GORMAN-RUPP CO. MANSFIELD, OHIO ST. THOMAS, ONTARIO	DRAWN BY MLB	SCALE 1/8	MODEL U6BS-B
	DATE 4-14-04	REVISED 02-21-19	OUTLINE NUMBER 17608