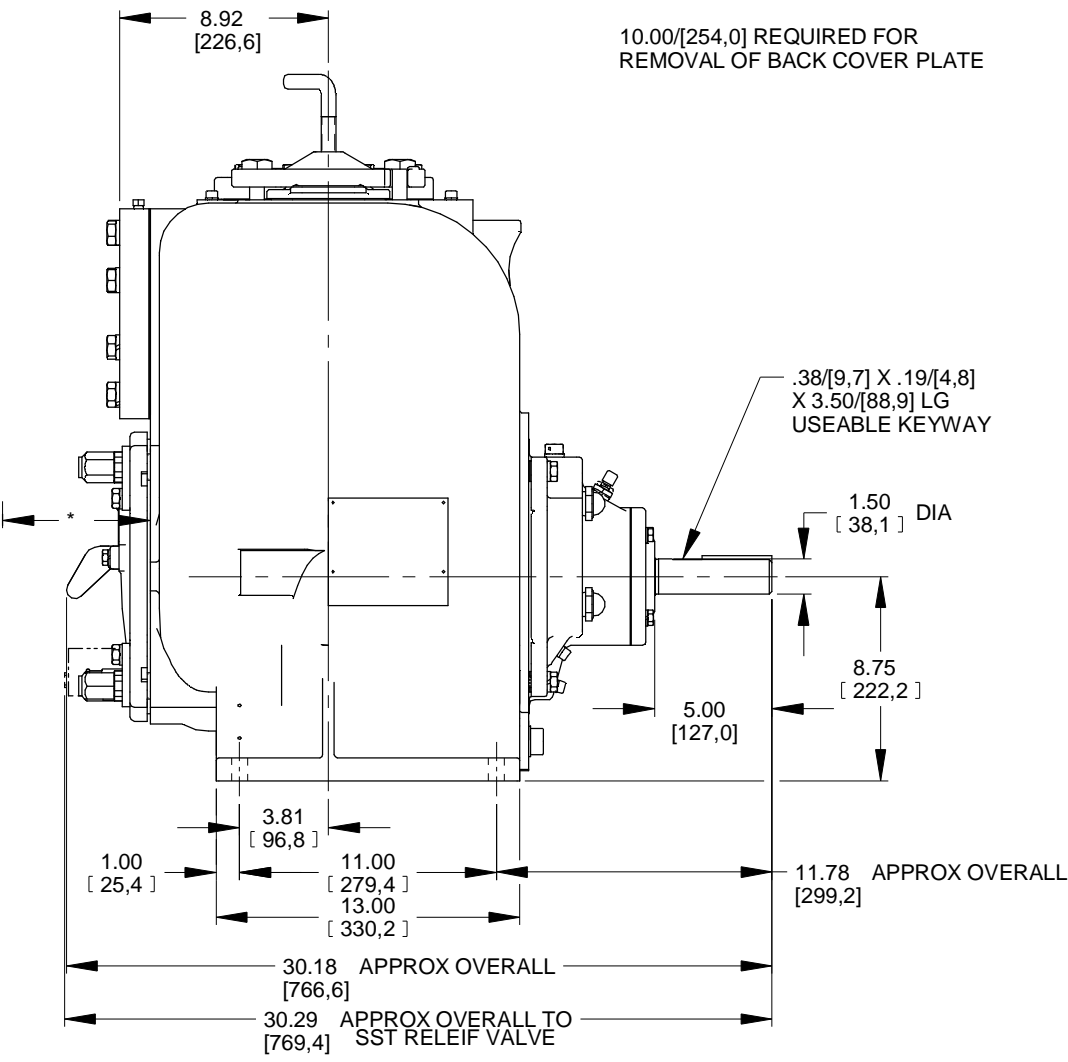
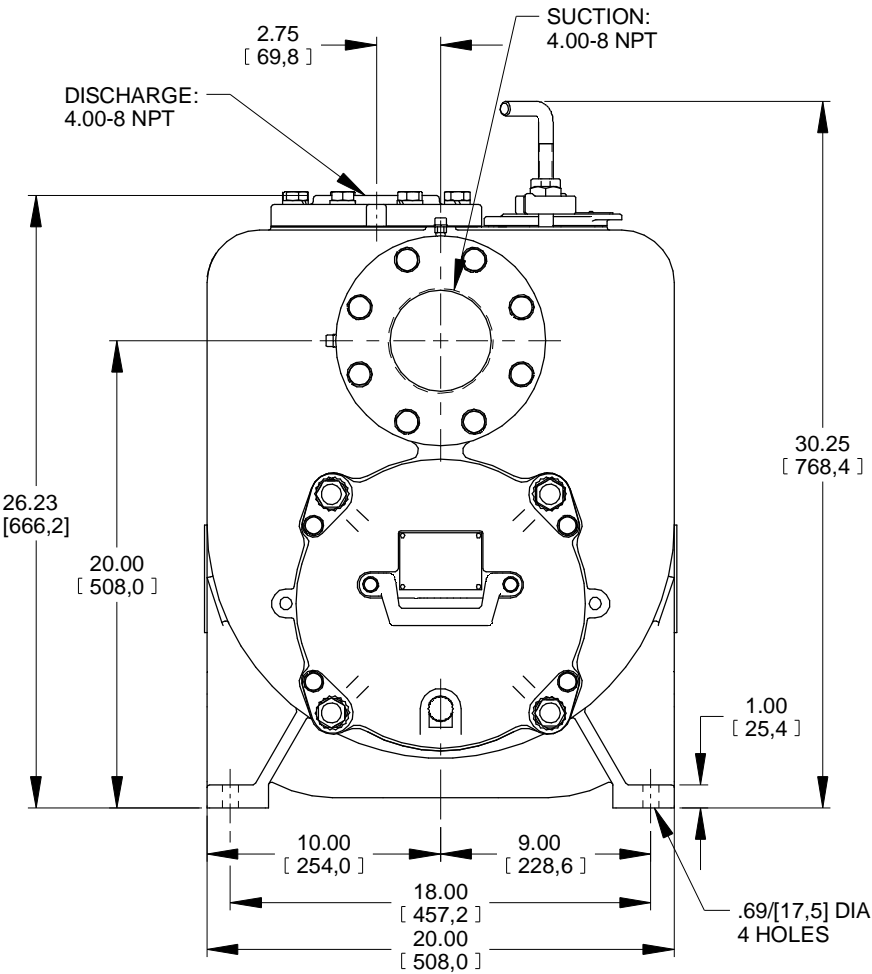


* 18.00/[457,2] RECOMMENDED FOR REMOVAL OF BACK COVER PLATE
 10.00/[254,0] REQUIRED FOR REMOVAL OF BACK COVER PLATE



DIMENSIONS:
 INCHES
 [MILLIMETERS]

a	THE GORMAN-RUPP CO.		DRAWN BY	SCALE	MODEL
	MANSFIELD, OHIO	ST. THOMAS, ONTARIO	MLB	3/16	U4BS-B
			DATE	REVISED	OUTLINE NUMBER
			4-22-04	7-23-12	17615