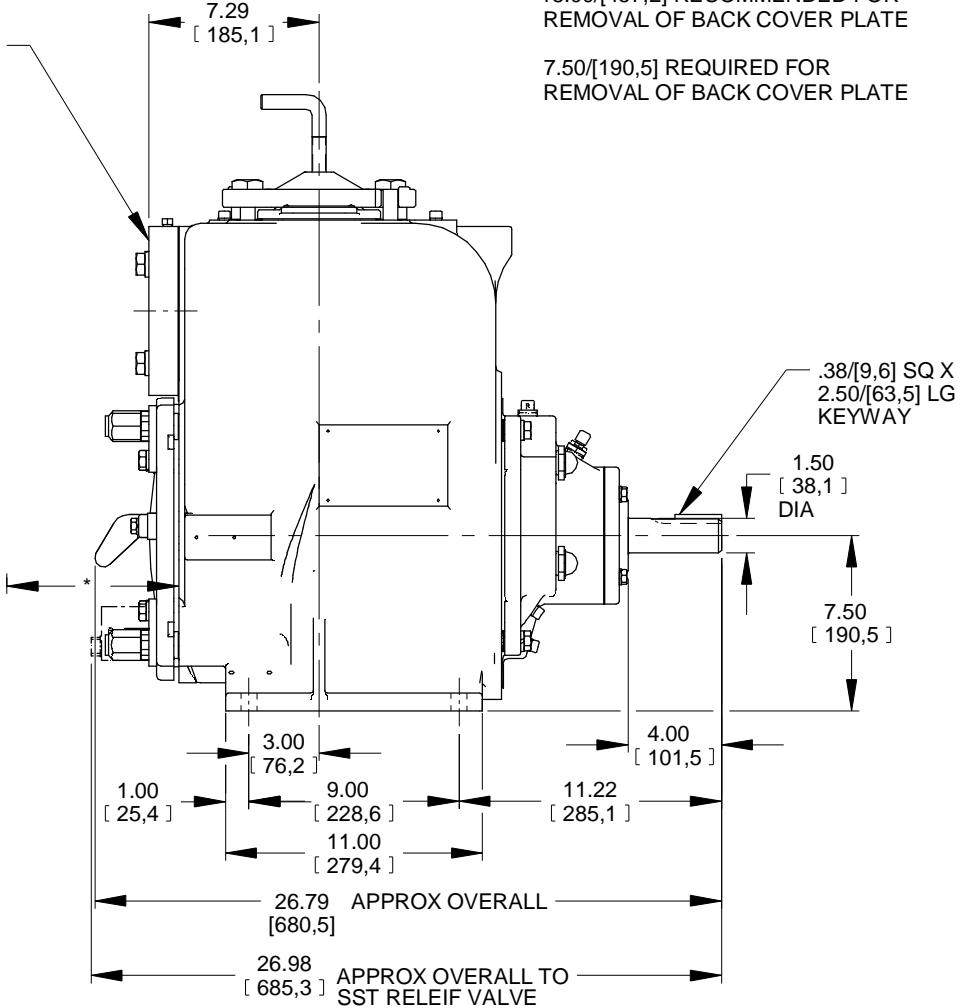
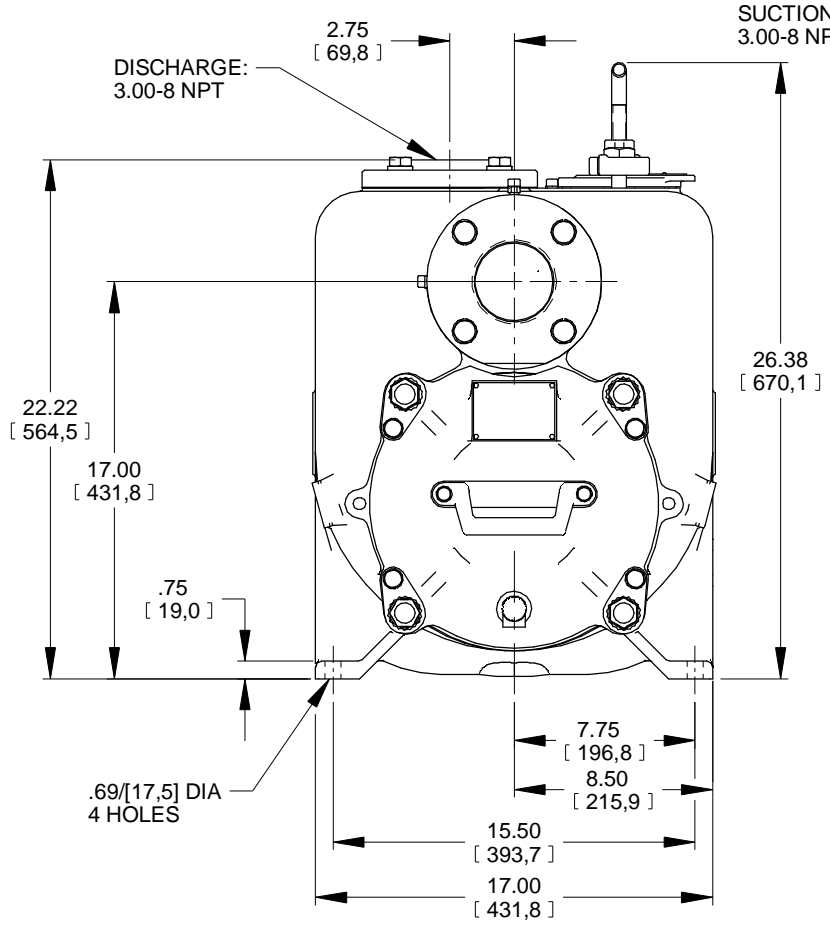


\* 18.00/[457,2] RECOMMENDED FOR REMOVAL OF BACK COVER PLATE  
 7.50/[190,5] REQUIRED FOR REMOVAL OF BACK COVER PLATE



DIMENSIONS:  
 INCHES  
 [MILLIMETERS]

a	<b>THE GORMAN-RUPP CO.</b>		DRAWN BY	SCALE	MODEL
	MANSFIELD, OHIO	ST. THOMAS, ONTARIO	MLB	3/16	U3BS-B
			DATE	REVISED	OUTLINE NUMBER
			3-18-04	7-18-12	17591