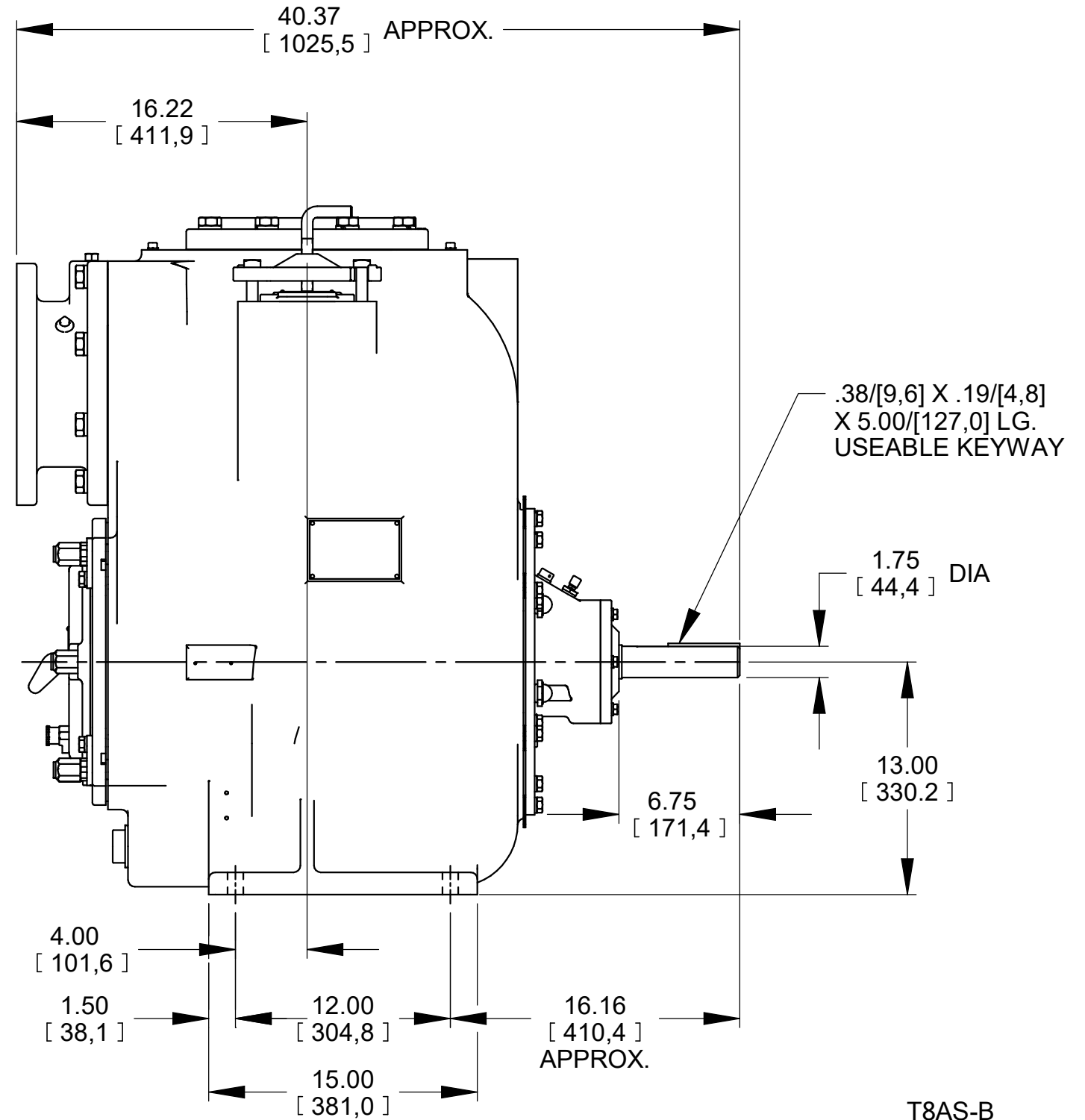
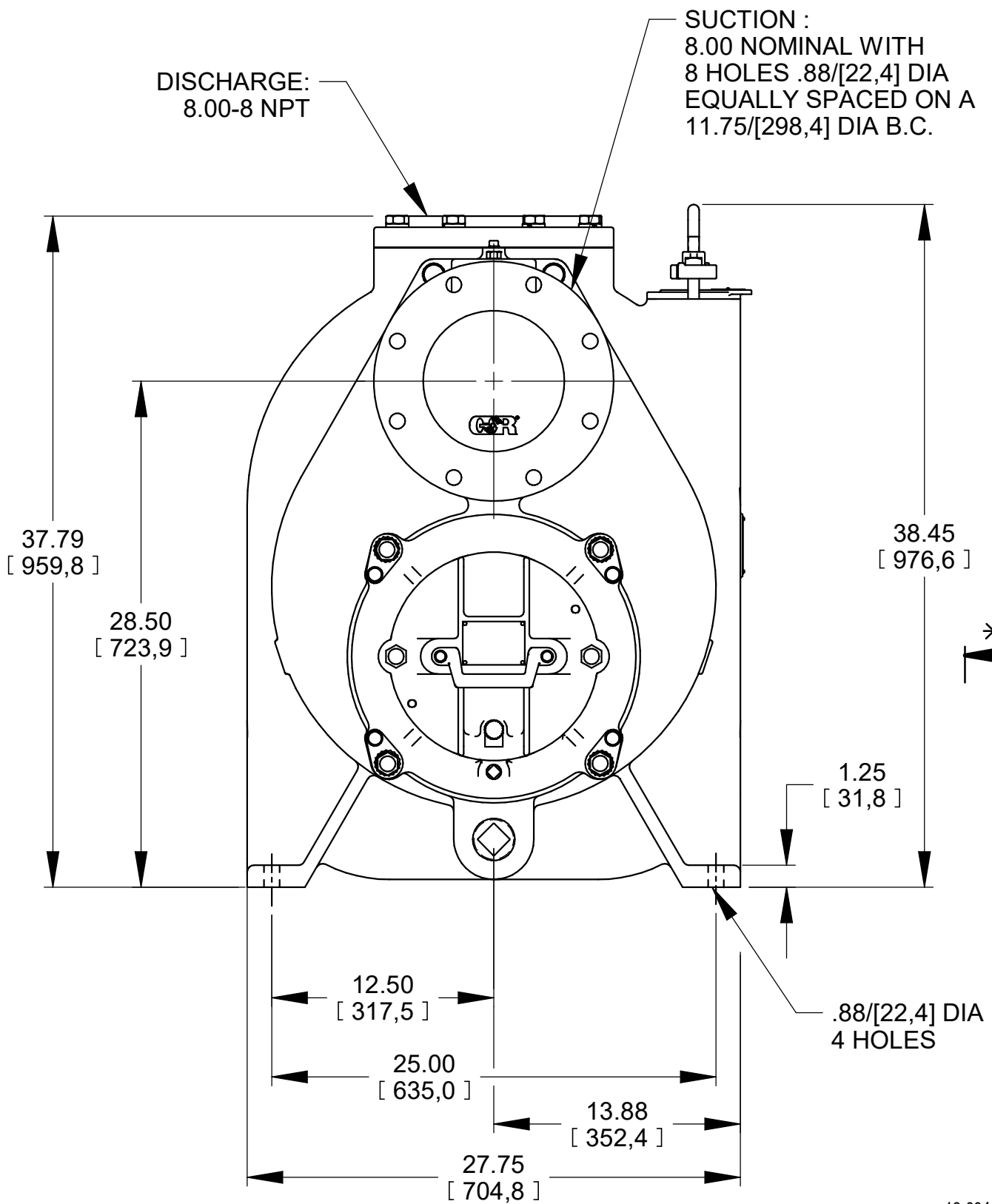


\* 24.00/[609,6] RECOMMENDED FOR REMOVAL OF BACK COVER PLATE

13.00/[330,2] REQUIRED FOR REMOVAL OF BACK COVER PLATE



T8AS-B  
T8CSC-B

DIMENSIONS:  
INCHES  
[MILLIMETERS]

19-004

	<b>THE GORMAN-RUPP CO.</b> MANSFIELD, OHIO ST. THOMAS, ONTARIO		DRAWN BY SAR	SCALE 1/8	MODEL NOTED
	DATE 10/08/14	REVISED 12/31/19	OUTLINE NUMBER 19034		