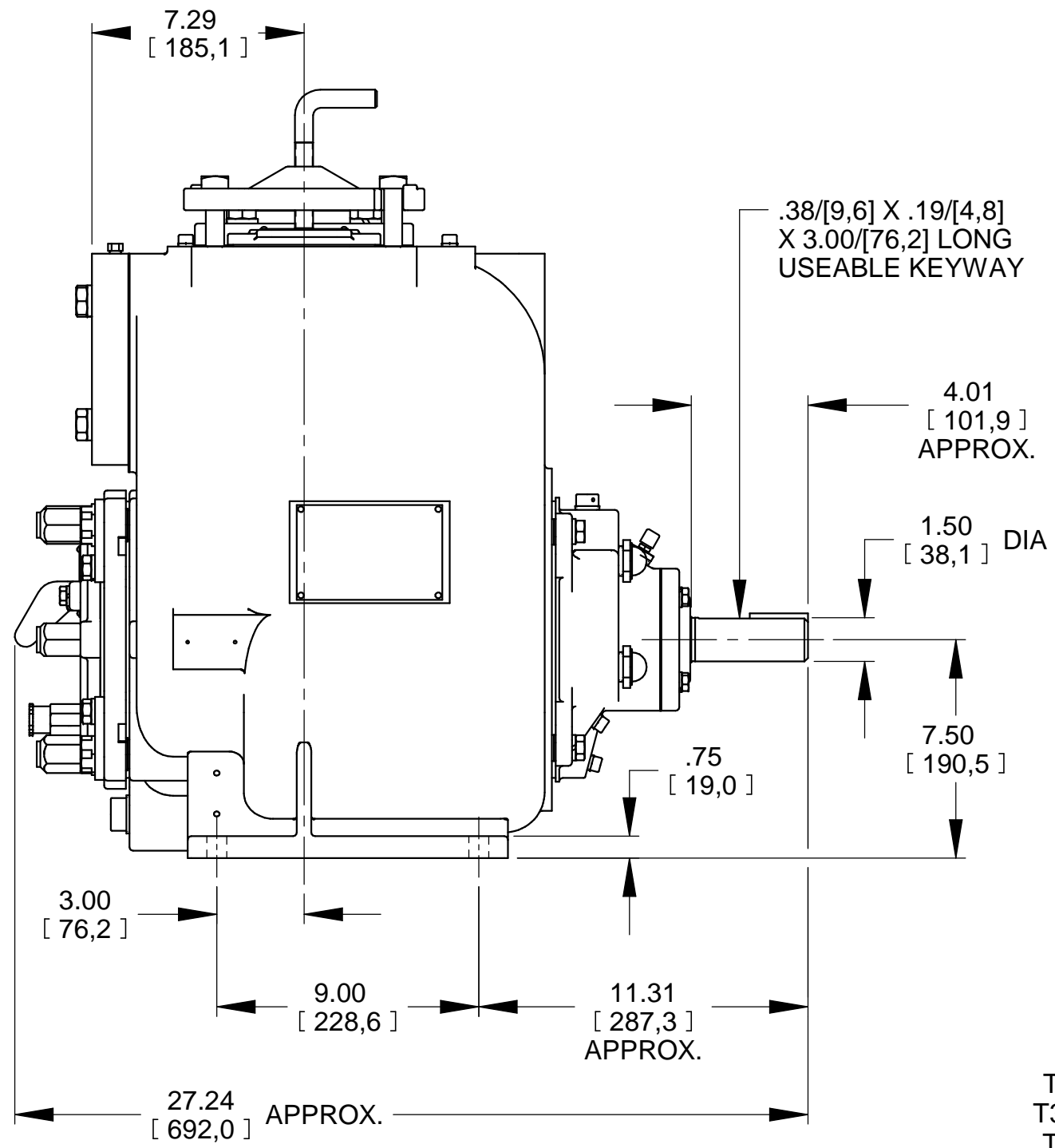
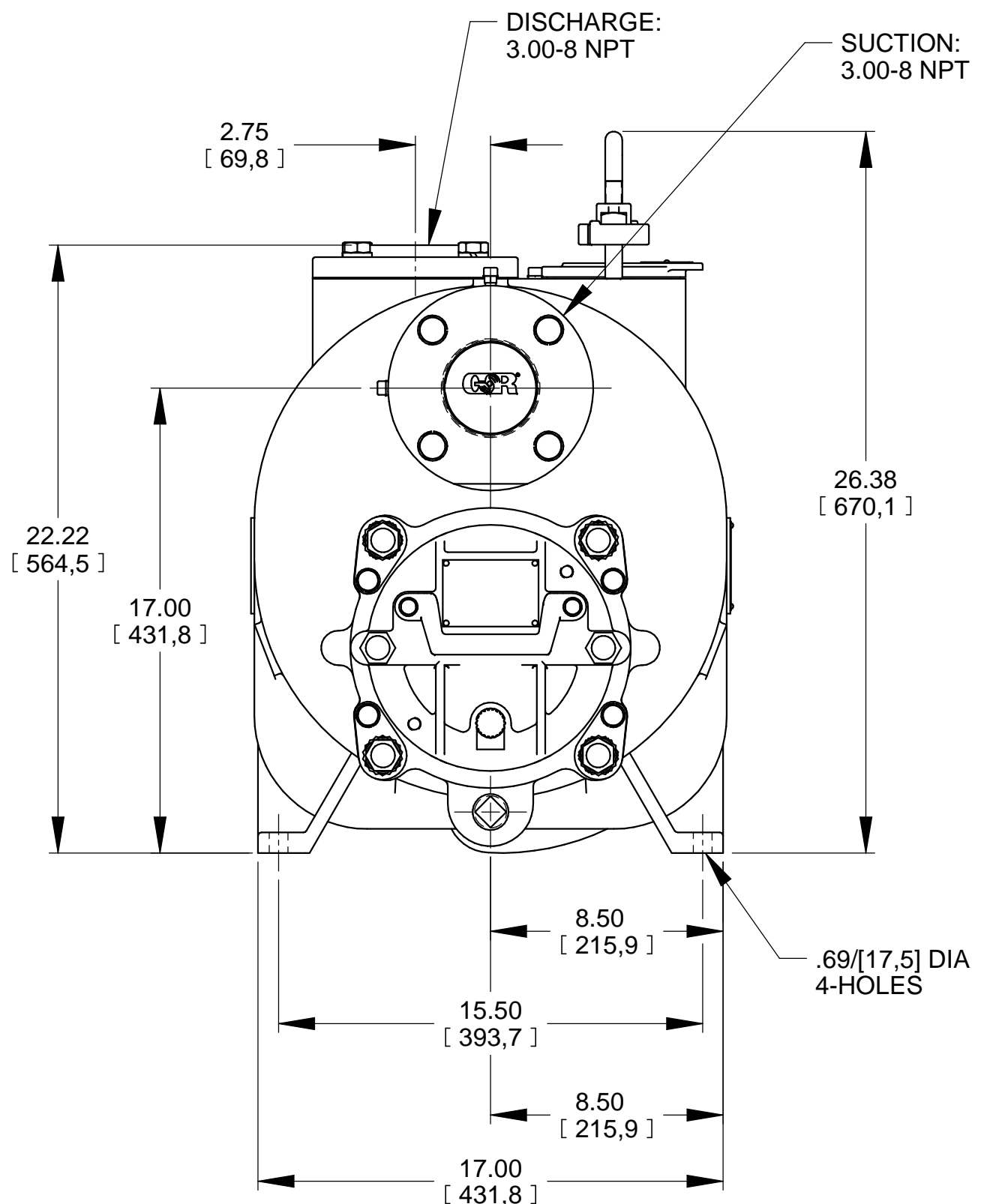


* 18.00/[457,2] RECOMMENDED FOR REMOVAL OF BACK COVER PLATE
 T3AS-B / T3CSC-B - 9.00/[228,6] REQUIRED FOR REMOVAL OF BACK COVER PLATE
 T3DS-B / T3ESC-B - 9.50/[241,3] REQUIRED FOR REMOVAL OF BACK COVER PLATE



T3AS-B
 T3CSC-B
 T3DS-B
 T3ESC-B

DIMENSIONS:
 INCHES
 [MILLIMETERS]

20-031

	THE GORMAN-RUPP CO. MANSFIELD, OHIO ST. THOMAS, ONTARIO		DRAWN BY JPJ	SCALE 3/16	MODEL NOTED
	DATE 11-3-14	REVISED 6-20-20	OUTLINE NUMBER 19028		