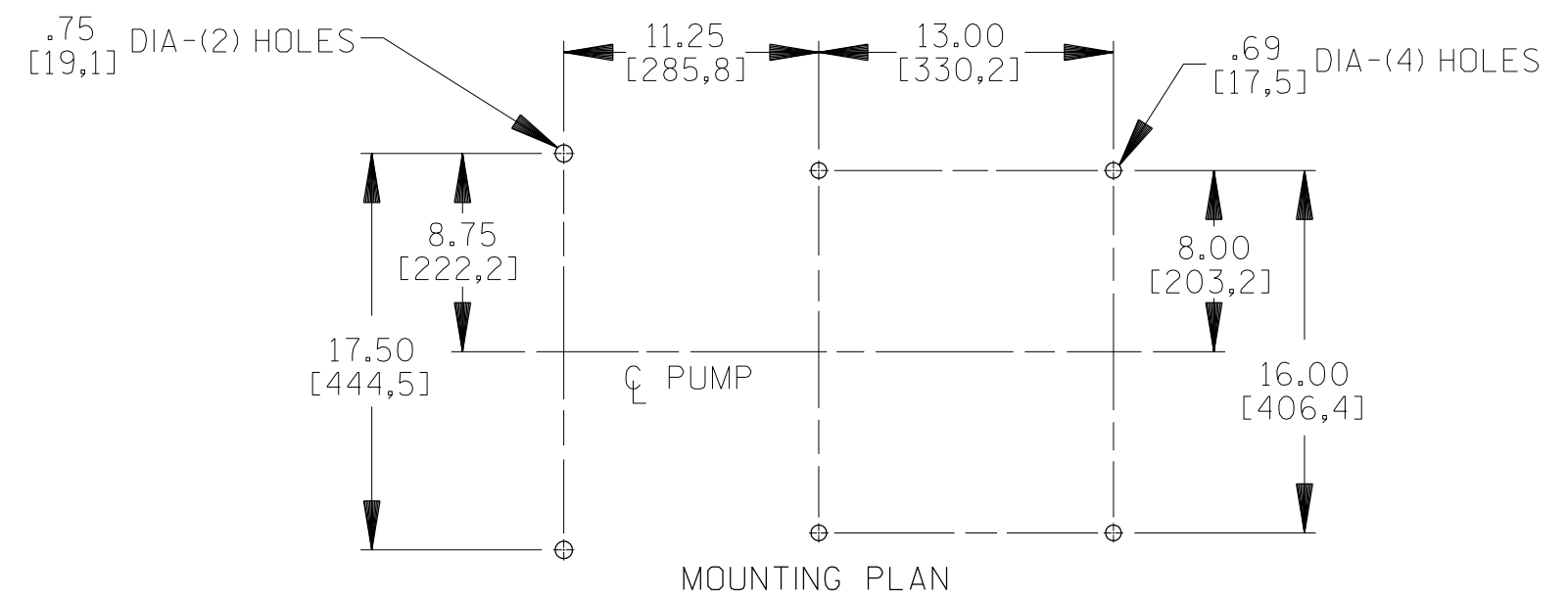
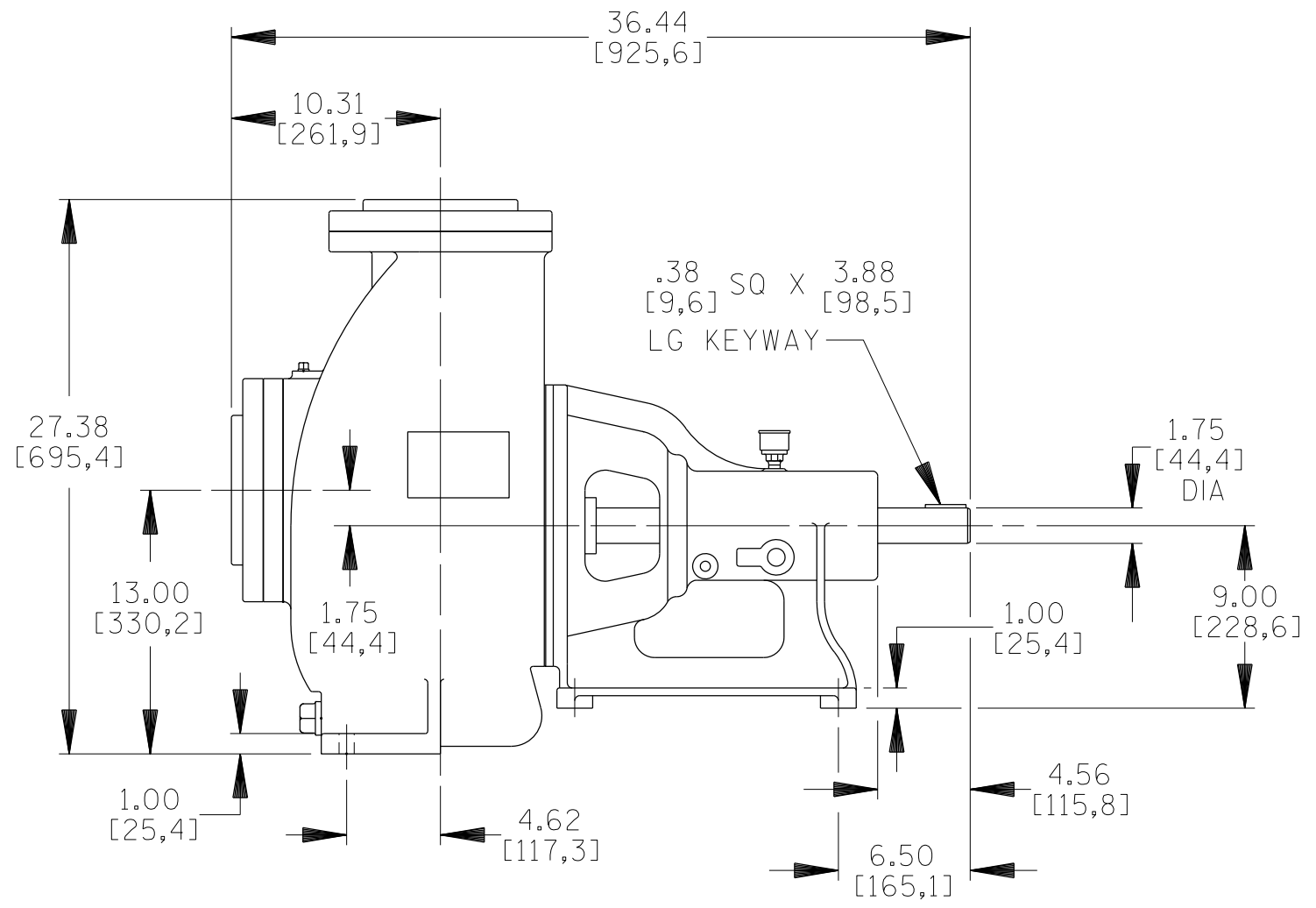
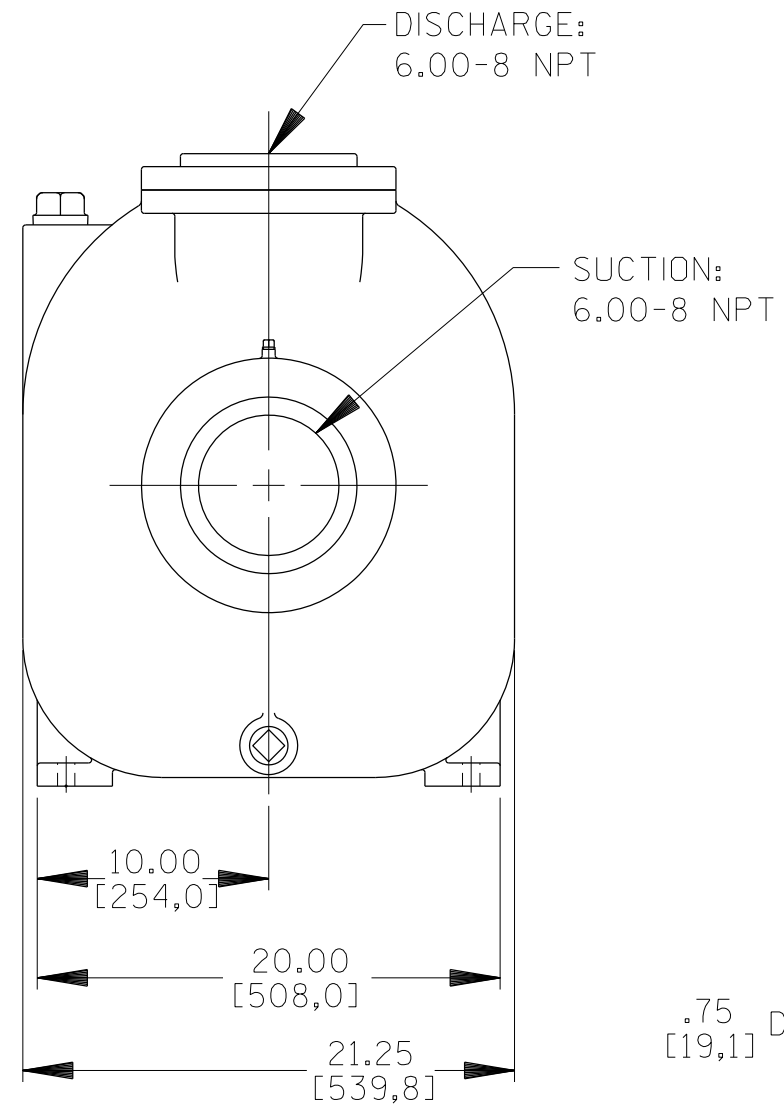


B-7810

B 17749



DIMENSIONS:
INCHES
[MILLIMETERS]

	THE GORMAN-RUPP CO. MANSFIELD, OHIO ST. THOMAS, ONTARIO	DRAWN BY SS	SCALE $\frac{1}{8}$	MODEL 86A-B / 86B-B
		DATE 3-2-05	REVISED 11-4-11	OUTLINE NUMBER 17749

11-009