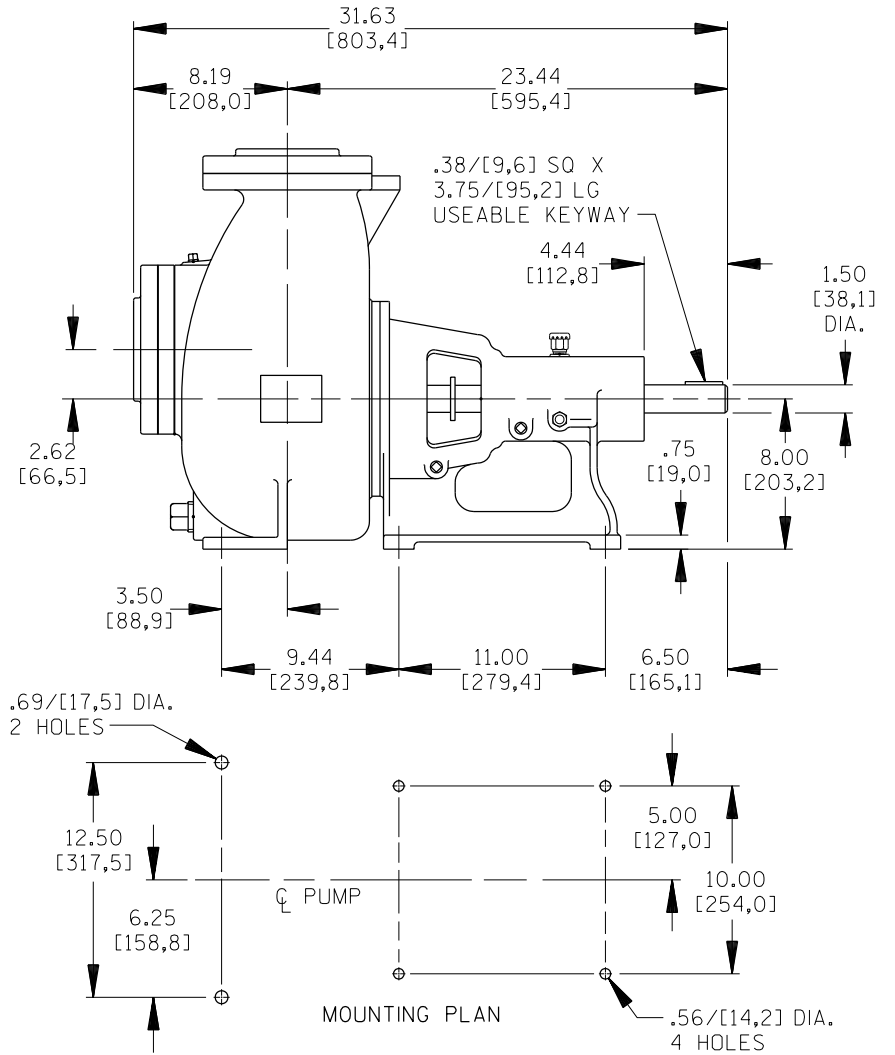
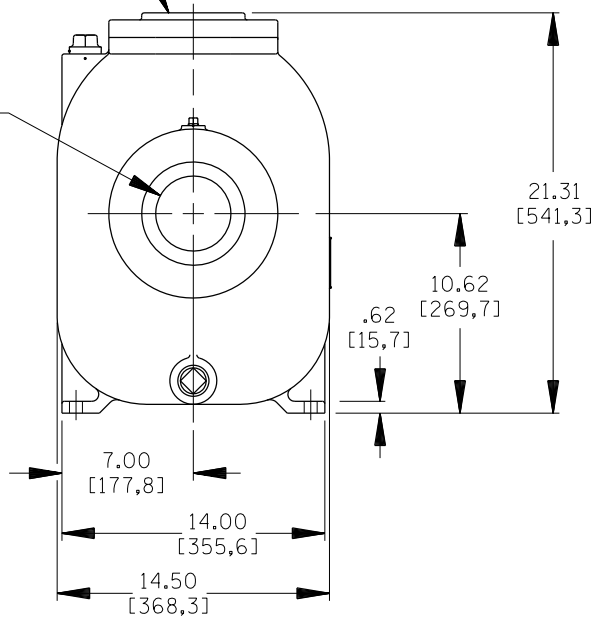


B-8993

B 17822

DISCHARGE:
4.00-8 NPT

SUCTION:
4.00-8 NPT



DIMENSIONS:
INCHES
[MILLIMETERS]

	THE GORMAN-RUPP CO. MANSFIELD, OHIO ST. THOMAS, ONTARIO		DRAWN BY SS	SCALE $\frac{5}{32}$	MODEL 84B-B
	DATE 4-4-05	REVISED	OUTLINE NUMBER 17822		