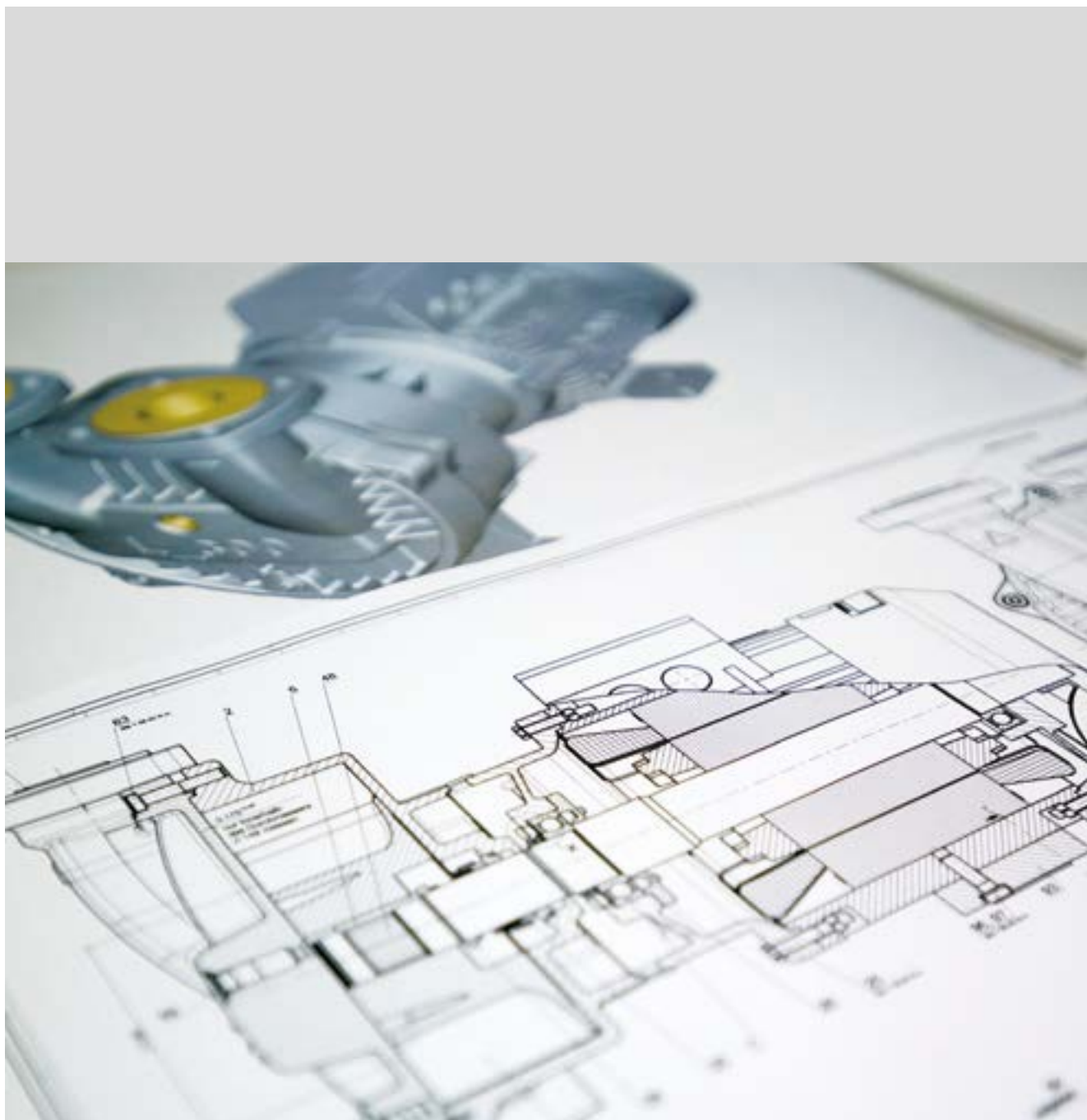
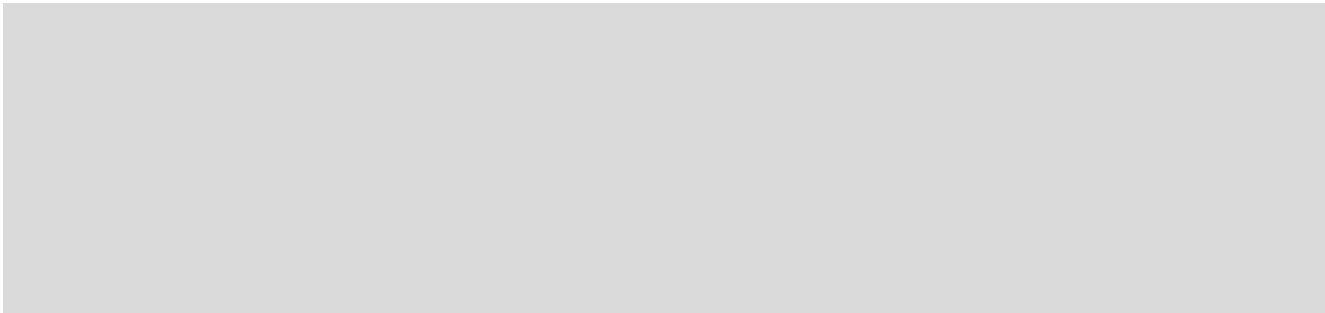


Maßangaben *Dimensions*





Maßangaben

- Reihe L-BV3 / L-BV7
- Reihe L-BV2
- Reihe L-BV5
- Reihe L-BV54

Maßangaben für Zubehör

- Rückschlagventile
- Kavitationsschutzventile
- Gewindeflansche für L-BV7
- Gewindegegenflansche für L-BV5
- Gegenflansche für L-BV5
- Flüssigkeitsabscheider für L-BV7
- Flüssigkeitsabscheider für L-BV2
- Flüssigkeitsabscheider für L-BV5
- Flüssigkeitsabscheider für L-BV5 ...-OH
- Gasstrahler

Dimensions

- L-BV3 / L-BV7 range
- L-BV2 range
- L-BV5 range
- L-BV54 range

Dimensions for accessories L-BV

- Non-return valves
- Cavitation protection valves
- Screwed flanges for L-BV7
- Screwed mating flanges for L-BV5
- Mating flanges for L-BV5
- Liquid separators for L-BV7
- Liquid separators for L-BV2
- Liquid separators for L-BV5
- Liquid separators for L-BV5 ...-OH
- Gas ejector

50 – 56

52

53

54 – 55

56

57 – 63

57

58

58

59

59

60

60

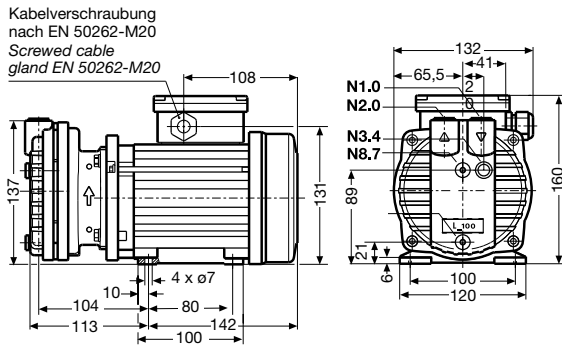
61

62

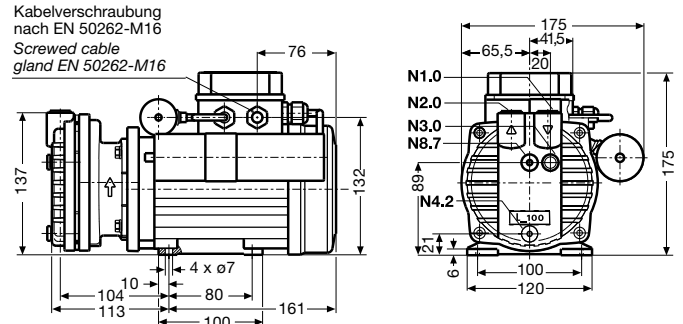
63

2BV3 151

2BV3 151-0GJ02-4E



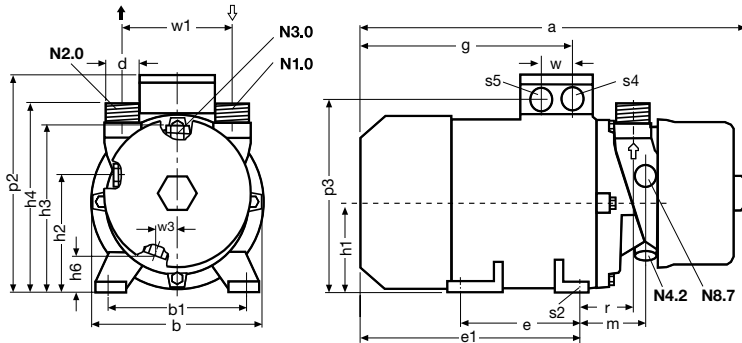
2BV3 151-0GW02-1E



- N1.0** Saugstutzen • *Inlet flange* G³/₈ x 12
- N2.0** Druckstutzen • *Pressure flange* G³/₈ x 12
- N3.0** Anschluss Betriebsflüssigkeit • *Connection operating liquid* G¹/₈ x 10
- N4.2** Entleerung • *Drain* G¹/₈ x 10
- N8.7** Kavitationsschutz • *Cavitation protection* G¹/₈ x 10

Alle Einheiten in [mm].
All units in [mm]

2BV7 060 – 071



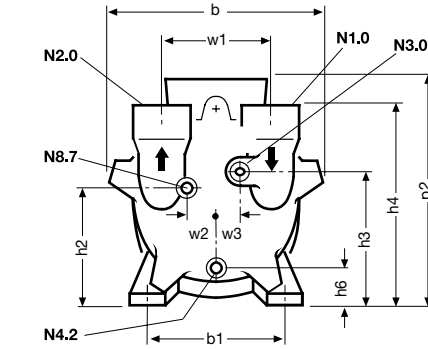
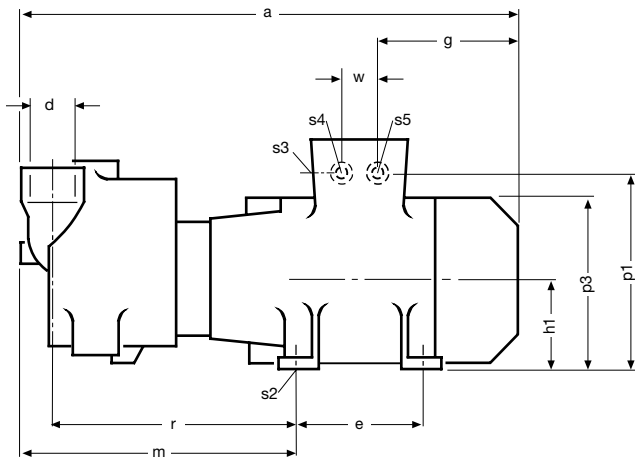
- N1.0** Saugstutzen
- N2.0** Druckstutzen
- N3.0** Anschluss Betriebsflüssigkeit
- N4.2** Entleerung/Spülung
- N8.7** Kavitationsschutz

- N1.0** *Inlet flange*
- N2.0** *Pressure flange*
- N3.0** *Connection operating liquid*
- N4.2** *Drain /flushing*
- N8.7** *Cavitation protection*

| Typ • Type | a | b | b1 | e | e1 | g | h1 | h2 | h3 | h4 | h6 | m | p2 | p3 |
|------------------|------|-----|-----|-----|-----|-----|-----|-----|-----|-----|----|----|-----|-----|
| | [mm] | | | | | | | | | | | | | |
| 2BV7 060-2AH0.-S | 335 | 162 | 125 | 100 | 184 | 186 | 80 | 107 | 156 | 180 | 35 | 72 | 200 | 177 |
| 2BV7 060-3AH0.-S | 372 | 180 | 140 | 100 | 225 | 218 | 90 | 117 | 166 | 190 | 35 | 68 | 218 | 195 |
| 2BV7 061-1AH0.-S | 394 | 180 | 140 | 100 | 225 | 218 | 90 | 117 | 166 | 190 | 36 | 68 | 218 | 195 |
| 2BV7 070-2AH0.-S | 473 | 204 | 160 | 140 | 284 | 266 | 100 | 134 | 194 | 222 | 34 | 89 | 235 | 178 |
| 2BV7 070-3AH0.-S | 482 | 266 | 216 | 140 | 284 | 266 | 130 | 166 | 227 | 260 | 34 | 99 | 300 | 240 |
| 2BV7 071-2AH0.-S | 511 | 266 | 216 | 140 | 284 | 266 | 130 | 166 | 227 | 260 | 66 | 99 | 300 | 240 |
| 2BV7 071-3AH0.-S | 511 | 266 | 216 | 140 | 284 | 266 | 130 | 166 | 227 | 260 | 66 | 99 | 300 | 240 |

| Typ • Type | r | s2 | s4 | s5 | w | w1 | w3 | d (N1.0, N2.0) | N3.0 | N4.2 | N8.7 |
|------------------|------|----|-----------|-----------|------|-----|----|----------------|-------------------------------|-------------------------------|-------------------------------|
| | [mm] | | ["] | | [mm] | | | ["] | | | |
| 2BV7 060-2AH0.-S | 59 | 10 | M25 x 1,5 | M16 x 1,5 | 32 | 110 | 32 | G1 | G ¹ / ₄ | G ¹ / ₄ | G ¹ / ₄ |
| 2BV7 060-3AH0.-S | 55 | 10 | M25 x 1,5 | M16 x 1,5 | 32 | 110 | 32 | G1 | G ¹ / ₄ | G ¹ / ₄ | G ¹ / ₄ |
| 2BV7 061-1AH0.-S | 55 | 10 | M25 x 1,5 | M16 x 1,5 | 32 | 110 | 32 | G1 | G ¹ / ₄ | G ¹ / ₄ | G ¹ / ₄ |
| 2BV7 070-2AH0.-S | 71 | 12 | M32 x 1,5 | M32 x 1,5 | 42 | 120 | 32 | G1½ | G ¹ / ₄ | G ¹ / ₄ | G ¹ / ₄ |
| 2BV7 070-3AH0.-S | 81 | 12 | M32 x 1,5 | M32 x 1,5 | 42 | 120 | 42 | G1½ | G ¹ / ₄ | G ¹ / ₄ | G ¹ / ₄ |
| 2BV7 071-2AH0.-S | 81 | 12 | M32 x 1,5 | M32 x 1,5 | 42 | 120 | 42 | G1½ | G ¹ / ₄ | G ¹ / ₄ | G ¹ / ₄ |
| 2BV7 071-3AH0.-S | 81 | 12 | M32 x 1,5 | M32 x 1,5 | 42 | 120 | 42 | G1½ | G ¹ / ₄ | G ¹ / ₄ | G ¹ / ₄ |

2BV2 060 - 071



- N1.0** Saugstutzen • Inlet flange
- N2.0** Druckstutzen • Pressure flange
- N3.0** Anschluss Betriebsflüssigkeit • Connection operating liquid
- N4.2** Entleerung • Drain
- N8.7** Kavitationsschutz • Cavitation protection

| | a | b | b1 | e | g | h1 | h2 | h3 | h4 | h6 | m | p1 | p2 | p3 | r |
|-------------------|------|-----|-----|-----|-----|-------|-----|-----|-----|----|-------|-----|-----|-----|-----|
| | [mm] | | | | | | | | | | | | | | |
| 2BV2 060-....1-.. | 402 | 185 | 125 | 100 | 152 | 80 | 107 | 115 | 184 | 27 | 221 | 177 | 200 | 161 | 194 |
| 2BV2 060-....2-.. | 457 | 185 | 140 | 100 | 184 | 90 | 117 | 125 | 194 | 37 | 234 | 193 | 216 | 180 | 207 |
| 2BV2 061-....3-.. | 475 | 181 | 140 | 100 | 184 | 90 | 118 | 126 | 195 | 37 | 253 | 195 | 218 | 180 | 226 |
| 2BV2 070-....1-.. | 545 | 232 | 196 | 140 | 189 | 100 | 128 | 146 | 222 | 33 | 299,5 | 178 | 236 | 201 | 262 |
| 2BV2 070-....3-.. | 551 | 266 | 216 | 140 | 224 | 132,5 | 160 | 178 | 254 | 65 | 271 | 240 | 300 | 266 | 233 |
| 2BV2 070-....4-.. | 551 | 266 | 216 | 140 | 224 | 132,5 | 160 | 178 | 254 | 65 | 271 | 240 | 300 | 266 | 233 |
| 2BV2 071-....4-.. | 558 | 266 | 216 | 180 | 224 | 133 | 160 | 178 | 254 | 65 | 278 | 240 | 300 | 265 | 240 |
| 2BV2 071-....5-.. | 558 | 266 | 216 | 180 | 224 | 133 | 160 | 178 | 254 | 65 | 278 | 240 | 300 | 265 | 240 |

| | s2 | s3/4 | s5 | w | w1 | w2 | w3 | d (N1.0, N2.0) | N3.0 | N4.2 | N8.7 |
|-------------------|---------|-----------|-----------|----|------|----|----|----------------|------------------------------------|------------------------------------|------------------------------------|
| | [mm] | ["] | | | [mm] | | | | ["] | | |
| 2BV2 060-....2-.. | 10 | M25 x 1.5 | M16 x 1.5 | 32 | 110 | 25 | 21 | G1 x 20 | G ³ / ₈ x 12 | G ¹ / ₄ x 12 | G ³ / ₈ x 12 |
| 2BV2 061-....3-.. | 10 | M25 x 1.5 | M16 x 1.5 | 32 | 110 | 25 | 21 | G1 x 20 | G ³ / ₈ x 12 | G ¹ / ₄ x 12 | G ³ / ₈ x 12 |
| 2BV2 070-....1-.. | 12 | M32 x 1.5 | M32 x 1.5 | 42 | 110 | 33 | 27 | G1½ x 20 | G ³ / ₈ x 12 | G ¹ / ₄ x 12 | G ³ / ₈ x 12 |
| 2BV2 070-....3-.. | 14 | M32 x 1.5 | M32 x 1.5 | 42 | 110 | 33 | 27 | G1½ x 20 | G ³ / ₈ x 12 | G ¹ / ₄ x 12 | G ³ / ₈ x 12 |
| 2BV2 070-....4-.. | 14 | M32 x 1.5 | M32 x 1.5 | 42 | 110 | 33 | 27 | G1½ x 20 | G ³ / ₈ x 12 | G ¹ / ₄ x 12 | G ³ / ₈ x 12 |
| 2BV2 071-....4-.. | 12 x 16 | M32 x 1.5 | M32 x 1.5 | 42 | 110 | 33 | 27 | G1½ x 22 | G ³ / ₈ x 12 | G ¹ / ₄ x 12 | G ³ / ₈ x 12 |
| 2BV2 071-....5-.. | 12 x 16 | M32 x 1.5 | M32 x 1.5 | 42 | 110 | 33 | 27 | G1½ x 22 | G ³ / ₈ x 12 | G ¹ / ₄ x 12 | G ³ / ₈ x 12 |

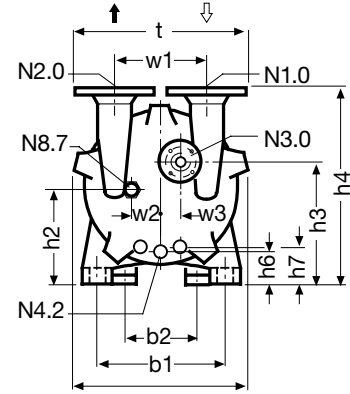
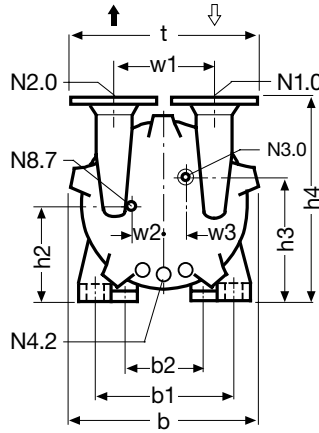
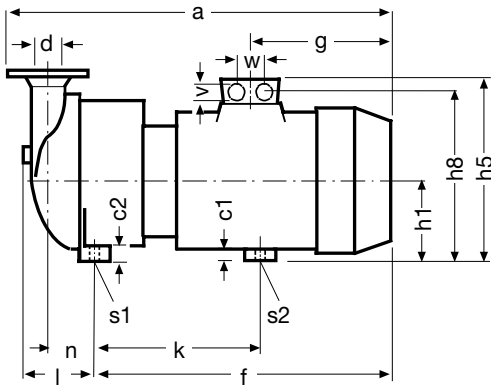
2BV5 110 – 161

Ausführung • Version

Grauguss: 2BV5...-K
Cast iron: 2BV5...-K

Ausführung • Version

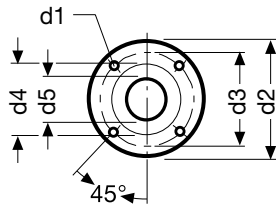
Edelstahl: 2BV5...-H
Stainless steel: 2BV5...-H



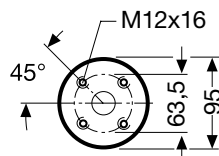
| Typ • Type | a | b | b1 | b2 | c1 | c2 | h1 | h2 | h3 | h4 | h5 | h6 | h7 | h8 |
|----------------|------|-----|-----|-----|----|----|-----|-----|-----|-----|-----|----|----|-----|
| | [mm] | | | | | | | | | | | | | |
| 2BV5 110-.K..1 | 639 | 326 | 255 | 190 | 20 | 26 | 140 | 153 | 203 | 361 | 288 | 38 | 58 | 231 |
| 2BV5 110-.H..1 | 639 | 326 | 255 | 190 | 20 | 26 | 140 | 153 | 202 | 361 | 288 | 38 | 58 | 231 |
| 2BV5 110-.D..2 | 668 | 326 | 255 | 190 | 20 | 36 | 151 | 166 | 212 | 372 | 318 | 49 | 68 | 258 |
| 2BV5 110-.K..3 | 639 | 326 | 255 | 190 | 20 | 26 | 140 | 153 | 203 | 361 | 288 | 38 | 58 | 231 |
| 2BV5 110-.H..3 | 639 | 326 | 255 | 190 | 20 | 26 | 140 | 153 | 202 | 361 | 288 | 38 | 58 | 231 |
| 2BV5 110-.D..3 | 706 | 326 | 255 | 190 | 20 | 36 | 151 | 166 | 212 | 372 | 318 | 49 | 68 | 258 |
| 2BV5 110-.G..3 | 706 | 326 | 255 | 190 | 20 | 36 | 151 | 166 | 212 | 372 | 318 | 49 | 68 | 258 |
| 2BV5 111-.K... | 653 | 326 | 265 | 190 | 20 | 26 | 151 | 166 | 212 | 371 | 318 | 48 | 68 | 258 |
| 2BV5 111-.H... | 653 | 326 | 265 | 190 | 20 | 26 | 151 | 166 | 213 | 371 | 318 | 48 | 68 | 258 |
| 2BV5 121-.D..2 | 797 | 348 | 265 | 190 | 51 | 20 | 175 | 167 | 242 | 410 | 372 | 64 | 85 | 302 |
| 2BV5 121-....3 | 752 | 348 | 265 | 190 | 20 | 26 | 151 | 167 | 217 | 385 | 318 | 39 | 60 | 258 |
| 2BV5 121-....4 | 752 | 348 | 265 | 190 | 20 | 26 | 151 | 167 | 217 | 385 | 318 | 39 | 60 | 258 |
| 2BV5 121-.D..4 | 837 | 348 | 265 | 190 | 51 | 20 | 175 | 167 | 242 | 410 | 372 | 64 | 85 | 302 |
| 2BV5 121-.G..4 | 837 | 348 | 265 | 190 | 51 | 20 | 175 | 167 | 242 | 410 | 372 | 64 | 85 | 302 |
| 2BV5 131-.... | 801 | 378 | 300 | 190 | 20 | 29 | 175 | 194 | 249 | 427 | 372 | 53 | 76 | 302 |
| 2BV5 161-.K..2 | 1009 | 481 | 370 | 188 | 30 | 29 | 210 | 225 | 303 | 521 | 484 | 51 | 80 | 442 |
| 2BV5 161-.H..2 | 1009 | 481 | 370 | 188 | 30 | 29 | 210 | 225 | 305 | 521 | 484 | 51 | 80 | 442 |

| Typ • Type | k | l | f | g | n | s1 | s2 | t | 450 | d ⁽¹⁾ (N1.0, N2.0) | d1 |
|----------------|------|-----|-----|-----|-----|---------|----|------|-----------|-------------------------------|------|
| | [mm] | | | | | [°] | | [mm] | | [°] | [mm] |
| 2BV5 110-.K..1 | 295 | 129 | 468 | 208 | 91 | 12 x 23 | 12 | 340 | M32 x 1,5 | DN50 / 2 | 19 |
| 2BV5 110-.H..1 | 295 | 129 | 468 | 208 | 91 | 12 x 23 | 12 | 340 | M32 x 1,5 | DN50 / 2 | 19 |
| 2BV5 110-.D..2 | 306 | 128 | 497 | 224 | 91 | 12 x 23 | 12 | 340 | M32 x 1,5 | DN50 / 2 | 19 |
| 2BV5 110-.K..3 | 295 | 129 | 468 | 208 | 91 | 12 x 23 | 12 | 340 | M32 x 1,5 | DN50 / 2 | 19 |
| 2BV5 110-.H..3 | 295 | 129 | 468 | 208 | 91 | 12 x 23 | 12 | 340 | M32 x 1,5 | DN50 / 2 | 19 |
| 2BV5 110-.D..3 | 306 | 128 | 535 | 262 | 91 | 12 x 23 | 12 | 340 | M32 x 1,5 | DN50 / 2 | 19 |
| 2BV5 110-.G..3 | 306 | 128 | 535 | 262 | 91 | 12 x 23 | 12 | 340 | M32 x 1,5 | DN50 / 2 | 19 |
| 2BV5 111-.K... | 291 | 128 | 482 | 224 | 91 | 12 x 23 | 12 | 340 | M32 x 1,5 | DN50 / 2 | 19 |
| 2BV5 111-.H... | 291 | 128 | 482 | 224 | 91 | 12 x 23 | 12 | 340 | M32 x 1,5 | DN50 / 2 | 19 |
| 2BV5 121-.D..2 | 375 | 135 | 610 | 291 | 96 | 12 x 23 | 12 | 382 | M32 x 1,5 | DN65 / 2½ | 19 |
| 2BV5 121-....3 | 336 | 135 | 565 | 262 | 96 | 12 x 23 | 12 | 382 | M32 x 1,5 | DN65 / 2½ | 19 |
| 2BV5 121-....4 | 336 | 135 | 565 | 262 | 96 | 12 x 23 | 12 | 382 | M32 x 1,5 | DN65 / 2½ | 19 |
| 2BV5 121-.D..4 | 375 | 135 | 650 | 331 | 96 | 12 x 23 | 12 | 382 | M32 x 1,5 | DN65 / 2½ | 19 |
| 2BV5 121-.G..4 | 375 | 135 | 650 | 331 | 96 | 12 x 23 | 12 | 382 | M32 x 1,5 | DN65 / 2½ | 19 |
| 2BV5 131-.... | 373 | 147 | 608 | 291 | 103 | 15 x 25 | 14 | 382 | M40 x 1,5 | DN65 / 2½ | 19 |
| 2BV5 161-.K..2 | 617 | 201 | 772 | 412 | 137 | 15 x 27 | 15 | 450 | M40 x 1,5 | DN80 / 3 | 22 |
| 2BV5 161-.H..2 | 617 | 201 | 772 | 412 | 137 | 15 x 27 | 15 | 450 | M40 x 1,5 | DN80 / 3 | 22 |

N1.0, N2.0



N3.0 (nur • only 2BV5 ...-0H.)

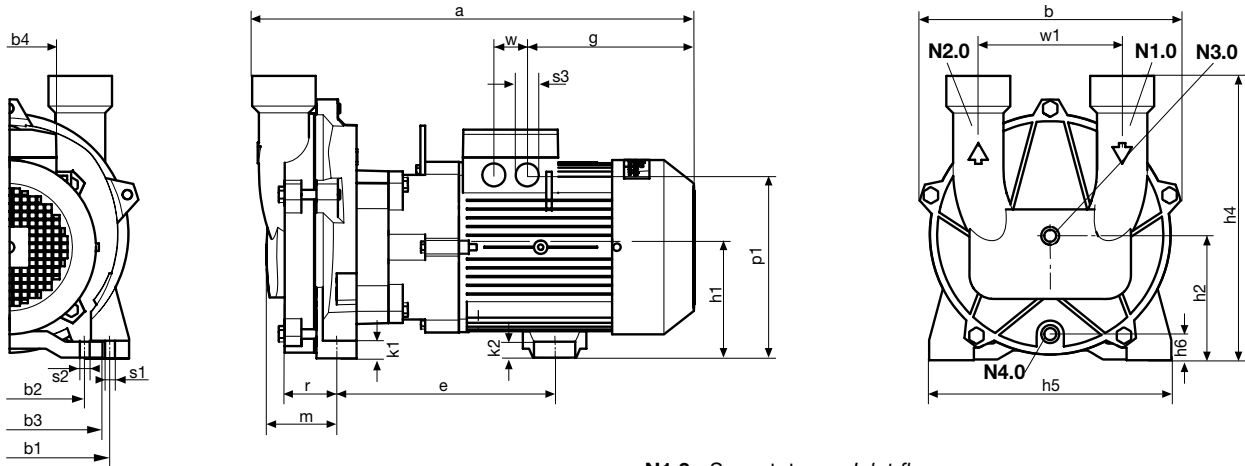


- N1.0** Saugstutzen
- N2.0** Druckstutzen
- N3.0** Anschluss Betriebsflüssigkeit
- N4.2** Entleerung/Spülung
- N8.7** Kavitationsschutz

- N1.0** Inlet flange
- N2.0** Pressure flange
- N3.0** Connection operating liquid
- N4.2** Drain/Flushing
- N8.7** Cavitation protection

| Typ • Type | d2 | d3 | d4 | d5 | w | w1 | w2 | w3 | N3.0 ²⁾ | N4.2 | N8.7 |
|-----------------------|------|-----|-----|----|----|-----|----|----|----------------------|----------------------|----------------------|
| | [mm] | | | | | | | | | ["] | |
| 2BV5 110-.K..1 | 160 | 123 | 97 | 52 | 42 | 180 | 52 | 25 | G $\frac{3}{4}$ x 24 | G $\frac{3}{8}$ x 25 | G $\frac{3}{8}$ x 11 |
| 2BV5 110-.H..1 | 160 | 123 | 97 | 52 | 42 | 180 | 52 | 25 | G $\frac{3}{4}$ x 24 | G $\frac{3}{8}$ x 25 | G $\frac{3}{8}$ x 11 |
| 2BV5 110-..D.2 | 160 | 123 | 97 | 52 | 42 | 180 | 52 | 25 | G $\frac{3}{4}$ x 24 | G $\frac{3}{8}$ x 25 | G $\frac{3}{8}$ x 11 |
| 2BV5 110-.K..3 | 160 | 123 | 97 | 52 | 42 | 180 | 52 | 25 | G $\frac{3}{4}$ x 24 | G $\frac{3}{8}$ x 25 | G $\frac{3}{8}$ x 11 |
| 2BV5 110-.H..3 | 160 | 123 | 97 | 52 | 42 | 180 | 52 | 25 | G $\frac{3}{4}$ x 24 | G $\frac{3}{8}$ x 25 | G $\frac{3}{8}$ x 11 |
| 2BV5 110-..D.3 | 160 | 123 | 97 | 52 | 42 | 180 | 52 | 25 | G $\frac{3}{4}$ x 24 | G $\frac{3}{8}$ x 25 | G $\frac{3}{8}$ x 11 |
| 2BV5 110-..G.3 | 160 | 123 | 97 | 52 | 42 | 180 | 52 | 25 | G $\frac{3}{4}$ x 24 | G $\frac{3}{8}$ x 25 | G $\frac{3}{8}$ x 11 |
| 2BV5 111-.K... | 160 | 123 | 97 | 52 | 42 | 180 | 52 | 27 | G $\frac{3}{4}$ x 24 | G $\frac{3}{8}$ x 25 | G $\frac{3}{8}$ x 11 |
| 2BV5 111-.H... | 160 | 123 | 97 | 52 | 42 | 180 | 52 | 27 | G $\frac{3}{4}$ x 24 | G $\frac{3}{8}$ x 25 | G $\frac{3}{8}$ x 11 |
| 2BV5 121-..D.2 | 182 | 142 | 114 | 67 | 42 | 200 | 57 | 29 | G $\frac{3}{4}$ x 24 | G $\frac{3}{8}$ x 25 | G $\frac{3}{8}$ x 11 |
| 2BV5 121-....3 | 182 | 142 | 114 | 67 | 42 | 200 | 57 | 29 | G $\frac{3}{4}$ x 24 | G $\frac{3}{8}$ x 25 | G $\frac{3}{8}$ x 11 |
| 2BV5 121-....4 | 182 | 142 | 114 | 67 | 42 | 200 | 57 | 29 | G $\frac{3}{4}$ x 24 | G $\frac{3}{8}$ x 25 | G $\frac{3}{8}$ x 11 |
| 2BV5 121-..D.4 | 182 | 142 | 114 | 67 | 42 | 200 | 57 | 29 | G $\frac{3}{4}$ x 24 | G $\frac{3}{8}$ x 25 | G $\frac{3}{8}$ x 11 |
| 2BV5 121-..G.4 | 182 | 142 | 114 | 67 | 42 | 200 | 57 | 29 | G $\frac{3}{4}$ x 24 | G $\frac{3}{8}$ x 25 | G $\frac{3}{8}$ x 11 |
| 2BV5 131-..... | 182 | 142 | 114 | 67 | 54 | 200 | 63 | 32 | G $\frac{3}{4}$ x 24 | G $\frac{3}{8}$ x 25 | G $\frac{3}{8}$ x 11 |
| 2BV5 161-.K..2 | 200 | 156 | 130 | 80 | 75 | 250 | 81 | 41 | G $\frac{3}{4}$ x 24 | G $\frac{3}{8}$ x 25 | G $\frac{3}{8}$ x 11 |
| 2BV5 161-.H..2 | 200 | 156 | 130 | 80 | 75 | 250 | 81 | 41 | G $\frac{3}{4}$ x 24 | G $\frac{3}{8}$ x 25 | G $\frac{3}{8}$ x 11 |

2BV5 421 – 470



- N1.0** Saugstutzen • Inlet flange
- N2.0** Druckstutzen • Pressure flange
- N3.0** Anschluss Betriebsflüssigkeit • Connection operating liquid
- N4.0** Entleerung • Drain

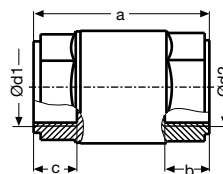
| Typ • Type | a | b | b1 | b2 | b3 | b4 | b5 | e | g | h1 | h2 |
|--------------------------|------|-----|-----|-----|-----|-----|-----|-----|-----|-----|-----|
| | [mm] | | | | | | | | | | |
| 2BV5 470-1E..0-.S | 556 | 326 | 255 | 190 | 236 | 120 | 303 | 267 | 210 | 140 | 156 |
| 2BV5 471-1E..1-.S | 576 | 326 | 255 | 190 | 236 | 120 | 303 | 267 | 210 | 140 | 156 |
| 2BV5 410-1G..3-.S | 595 | 326 | 265 | 190 | 236 | 140 | 313 | 291 | 223 | 149 | 166 |
| 2BV5 411-1G..4-.S | 668 | 326 | 265 | 190 | 236 | 140 | 313 | 326 | 261 | 149 | 166 |
| 2BV5 421-1G..2-.S | 740 | 348 | 265 | 190 | 236 | 165 | 313 | 368 | 290 | 175 | 195 |

| Typ • Type | h4 | h6 | k1 | k2 | m | p1 | r | ø s1 | ø s2 | |
|--------------------------|------|----|----|-----|-----|-----|----|------|------|--|
| | [mm] | | | | | | | | | |
| 2BV5 470-1E..0-.S | 358 | 33 | 20 | 93 | 93 | 231 | 72 | 12 | 12 | |
| 2BV5 471-1E..1-.S | 358 | 33 | 20 | 113 | 113 | 231 | 92 | 12 | 12 | |
| 2BV5 410-1G..3-.S | 368 | 43 | 20 | 93 | 93 | 256 | 72 | 12 | 12 | |
| 2BV5 411-1G..4-.S | 368 | 43 | 20 | 93 | 93 | 256 | 72 | 12 | 12 | |
| 2BV5 421-1G..2-.S | 410 | 58 | 20 | 103 | 103 | 302 | 72 | 12 | 12 | |

| Typ • Type | s3 | w | N1.0 | N2.0 | N3.0 | N4.0 |
|--------------------------|--------------|------|-----------------|-----------------|---|---|
| | ["] | [mm] | ["] | | | |
| 2BV5 470-1E..0-.S | 4x M32 x 1,5 | 42 | ISO228-G2 x 25 | ISO228-G2 x 25 | ISO228-G ³ / ₈ x 20 | ISO228-G ³ / ₈ x 18 |
| 2BV5 471-1E..1-.S | 4x M32 x 1,5 | 42 | ISO228-G2 x 25 | ISO228-G2 x 25 | ISO228-G ³ / ₈ x 20 | ISO228-G ³ / ₈ x 18 |
| 2BV5 410-1G..3-.S | 4x M32 x 1,5 | 42 | ISO228-G2 x 25 | ISO228-G2 x 25 | ISO228-G ³ / ₈ x 20 | ISO228-G ³ / ₈ x 18 |
| 2BV5 411-1G..4-.S | 4x M32 x 1,5 | 42 | ISO228-G2 x 25 | ISO228-G2 x 25 | ISO228-G ³ / ₈ x 24 | ISO228-G ³ / ₈ x 25 |
| 2BV5 421-1G..2-.S | 4x M40 x 1,5 | 54 | ISO228-G2½ x 27 | ISO228-G2½ x 27 | ISO228-G ³ / ₄ x 24 | ISO228-G ³ / ₈ x 25 |

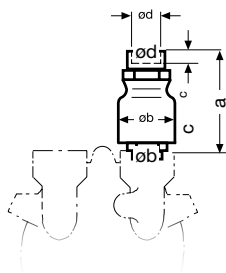
Rückschlagventile für L-BV7 • Non-return valves for L-BV7

| | | | | |
|-------------|------|----|------|-------------|
| Bestell-Nr. | | | | |
| Order No. | | | | |
| | a | b | c | ø d1 = ø d2 |
| | [mm] | | | ["] |
| 2BX3 130-1A | 75 | 19 | 18,5 | ISO 228-G1 |
| 2BX3 131-1A | 93 | 23 | 20,5 | ISO 228-G1½ |



Rückschlagventile für L-BV2 • Non-return valves for L-BV2

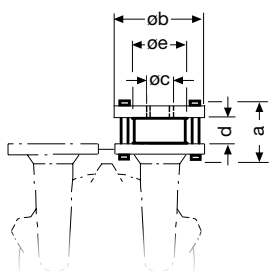
2BY6933-0AX08
2BY6934-0AX08
2BY6934-0HX08



| | | | | | |
|------------------|----------------|------|-----|----|-----|
| Bestell-Nr. | Für Typ | | | | |
| Rückschlagklappe | | | | | |
| Order No. | For type | | | | |
| Non-return valve | | | | | |
| | | a | ø b | c | ø d |
| | | [mm] | | | ["] |
| 2BY6 933-0AX08 | 2BV2 06.-.N... | 114 | 48 | 19 | G1 |
| 2BY6 934-0AX08 | 2BV2 07.-.N... | 136 | 71 | 21 | G1½ |
| 2BY6 934-0HX08 | 2BV2 07.-..... | 93 | 71 | 23 | G1½ |

Rückschlagventile für L-BV5 • Non-return valves for L-BV5

2BY6 905 / 906 / 908
mit Montagezubehör
with installation accessories



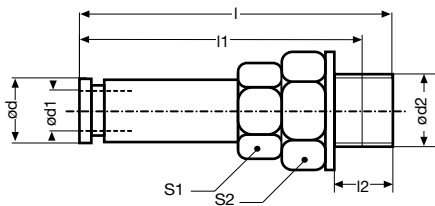
2BX1 081 / 082 / 083
2BX1 090 / 091 / 092

| | | | | | | | |
|---|--------------------------|-----------------|-----|-----|----|-----|-----|
| Bestell-Nr. | Für Typ | | | | | | |
| Rückschlagklappe | Montagezubehör | | | | | | |
| Order No. | For type | | | | | | |
| Non-return valve | Installation accessories | | | | | | |
| | | a | ø b | ø c | d | ø e | |
| | | [mm] | | | | | |
| Standard-Ausführung • Standard version | | | | | | | |
| 2BY6 905-5BX08 | 2BX1 090 | 2BV5 K110-.K... | 77 | 160 | 60 | 40 | 115 |
| | | 2BV5 K111-.K... | 77 | 160 | 60 | 40 | 115 |
| 2BY6 906-5BX08 | | 2BV5 K121-.K... | 84 | 182 | 76 | 48 | 122 |
| | | 2BV5 K131-.K... | 84 | 182 | 76 | 48 | 122 |
| 2BY6 908-5BX08 | | 2BV5 K161-.K... | 88 | 200 | 89 | 50 | 154 |
| Edelstahl-Ausführung • Stainless steel | | | | | | | |
| 2BY6 905-5HX08 | 2BX1 081 | 2BV5 H110-.H... | 77 | 160 | 60 | 40 | 115 |
| | | 2BV5 H111-.H... | 77 | 160 | 60 | 40 | 115 |
| 2BY6 906-5HX08 | 2BX1 082 | 2BV5 H121-.H... | 84 | 182 | 76 | 46 | 128 |
| | | 2BV5 H131-.H... | 84 | 182 | 76 | 46 | 128 |
| 2BY6 908-5HX08 | 2BX1 083 | 2BV5 H161-.H... | 88 | 200 | 89 | 50 | 154 |

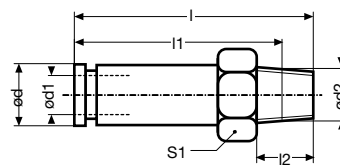
Kavitationsschutzventile • Cavitation protection valves

| Bestell-Nr. | Für Typ | | | | | | | | | |
|-------------|---------------------------------|----------------------------------|------|-----|----|-----|--|-------|------|--|
| Order No. | For type | | | | | | | | | |
| | | l | l1 | l2 | ød | ød1 | ød2 | S1 | S2 | |
| | | [mm] | | | | | ["] | | | |
| 2BX3 114-1A | 2BV3 151 | 29,5 | 25 | 8 | 10 | 6 | R ¹ / ₈ (EN 10226) | SW 10 | - | |
| 2BX3 115-1A | 2BV2 06. 2BV5110/111/121/131 | 34 | 29,8 | 8,5 | 12 | 6 | G ³ / ₈ (ISO 228) | SW 14 | SW19 | |
| 2BX3 116-1A | 2BV2 07. | 71 | 55,5 | 12 | 25 | 10 | R ³ / ₈ (EN 10226) | SW 24 | - | |
| 2BX3 117-1A | 2BV7 ... | 29,5 | 23 | 11 | 12 | 6 | R ¹ / ₄ (EN 10226) | SW 14 | - | |
| 2BX3 118-1A | 2BV5161 | siehe Skizze unten • see drawing | | | | | | | | |

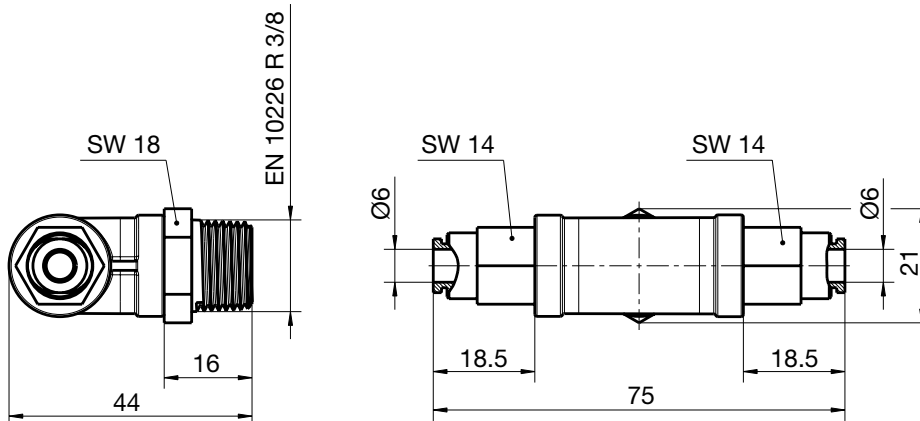
2BX3 115-1A



2BX3 114-1A,
2BX3 116-1A,
2BX3 117-1A

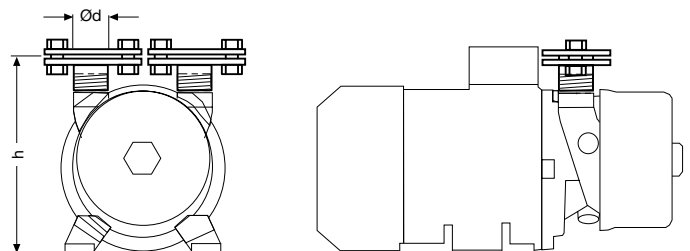


2BX3 118-1A



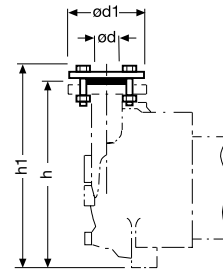
Gewindeflansche für L-BV7 • Screwed flanges for L-BV7 [mm]

| Bestell-Nr. | Für Typ | | |
|-------------|------------|-------------------------------|------|
| Order No. | For type | | |
| | | ød | h |
| | | ["] | [mm] |
| 2BX3 020-1A | 2BV7 060-2 | G ¹ / ₂ | 236 |
| | 2BV7 060-3 | G ¹ / ₂ | 246 |
| | 2BV7 061-1 | G ¹ / ₂ | 246 |
| 2BX3 021-1A | 2BV7 070-2 | G ¹ / ₂ | 299 |
| | 2BV7 070-3 | G ¹ / ₂ | 337 |
| | 2BV7 071-2 | G ¹ / ₂ | 337 |
| | 2BV7 071-3 | G ¹ / ₂ | 337 |



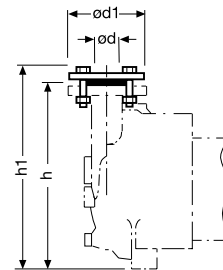
Gewindegegenflansche für L-BV5 • Screwed mating flanges for L-BV5

| Bestell-Nr. | Für Typ | | | | |
|-------------|----------------|------------------|-----------------|------|-----|
| Order No. | For type | | | | |
| | | $\varnothing d1$ | $\varnothing d$ | $h1$ | h |
| | | [mm] | ["] | [mm] | |
| 2BX1 096 | 2BV5 110-.K..1 | 165 | R2 | 400 | 361 |
| | 2BV5 110-.KD.2 | 165 | R2 | 411 | 372 |
| | 2BV5 110-.K... | 165 | R2 | 410 | 371 |
| 2BX1 097 | 2BV5 121-.KD.2 | 185 | R2½ | 449 | 410 |
| | 2BV5 121-.K..3 | 185 | R2½ | 424 | 385 |
| | 2BV5 131-.K... | 185 | R2½ | 466 | 427 |
| 2BX1 098 | 2BV5 161-.K... | 200 | R 3 | 562 | 521 |



Gegenflansche für L-BV5 • Mating flanges for L-BV5

| Bestell-Nr. | Für Typ | | | | |
|-------------|-----------------|------------------|-----------------|------|-----|
| Order No. | For type | | | | |
| | | $\varnothing d1$ | $\varnothing d$ | $h1$ | h |
| | | [mm] | | | |
| 2BX1 093 | 2BV5 110-....1 | 160 | 60 | 402 | 361 |
| | 2BV5 110-...D.2 | 160 | 60 | 413 | 372 |
| | 2BV5 111-..... | 160 | 60 | 412 | 371 |
| 2BX1 094 | 2BV5 121-...D.2 | 182 | 76 | 452 | 410 |
| | 2BV5 121-....3 | 182 | 76 | 427 | 385 |
| | 2BV5 131-..... | 182 | 76 | 469 | 427 |
| 2BX1 095 | 2BV5 161-..... | 200 | 89 | 563 | 521 |



Flüssigkeitsabscheider für L-BV7 • Liquid separators for L-BV7

Bestell-Nr.

Order No.

2BX3 000

2BX3 001

N2.2 Ablauf Flüssigkeitsabscheider

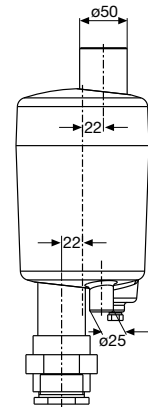
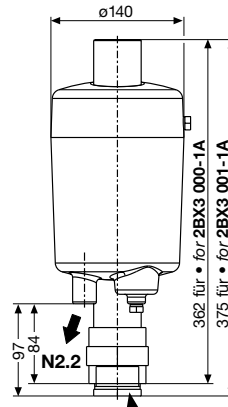
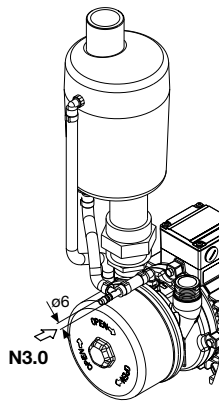
N3.0 Anschluss Betriebsflüssigkeit

N2.2 Liquid separator drain

N3.0 Connection for operating liquid

Alle Einheiten in [mm]

All units in [mm]



Für den Einsatz bei 2BV7 07, muss der Reduziernippel 1½" / 1" entfernt werden
For use with 2BV7 07, the 1½" to 1" reduction pipe fitting must be removed

Flüssigkeitsabscheider für L-BV2 • Liquid separators for L-BV2

Bestell-Nr.: 2BX1063

Order No.: 2BX1063

| | a | a1 | d | f | g | h | k | m | p | r | t | t1 |
|----------------|------|-----|----|-----|----|-----|-----|----|----|----|----|-----|
| | [mm] | | | | | | | | | | | |
| 2BV2 070-0H..1 | 146 | 221 | 50 | 167 | 86 | 161 | 630 | 19 | 31 | 86 | 69 | 179 |
| 2BV2 070-0P..1 | 146 | 221 | 50 | 167 | 86 | 161 | 630 | 19 | 31 | 86 | 69 | 179 |
| 2BV2 070-0N..1 | 146 | 221 | 50 | 167 | 86 | 161 | 630 | 19 | 31 | 86 | 69 | 179 |
| 2BV2 070-0H..3 | 178 | 253 | 50 | 167 | 86 | 161 | 662 | 19 | 31 | 86 | 69 | 179 |
| 2BV2 070-0P..3 | 178 | 253 | 50 | 167 | 86 | 161 | 662 | 19 | 31 | 86 | 69 | 179 |
| 2BV2 070-0N..3 | 178 | 253 | 50 | 167 | 86 | 161 | 662 | 19 | 31 | 86 | 69 | 179 |
| 2BV2 071-0H..4 | 178 | 253 | 50 | 167 | 86 | 161 | 662 | 19 | 31 | 86 | 69 | 179 |
| 2BV2 071-0P..4 | 178 | 253 | 50 | 167 | 86 | 161 | 662 | 19 | 31 | 86 | 69 | 179 |
| 2BV2 071-0N..4 | 178 | 253 | 50 | 167 | 86 | 161 | 662 | 19 | 31 | 86 | 69 | 179 |

Ohne Kavitationschutzleitung
Without cavitation protection

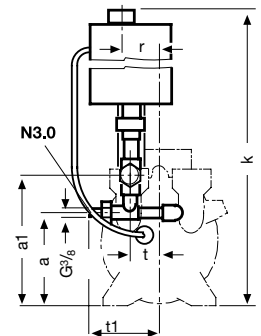
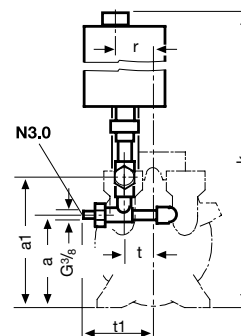
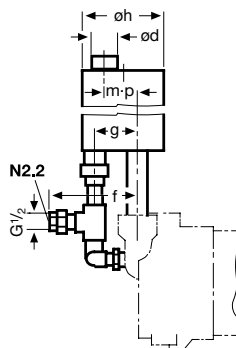
Mit angeschlossener Kavitationschutzleitung
With cavitation protection line

N2.2 Ablauf Flüssigkeitsabscheider

N3.0 Anschluss Betriebsflüssigkeit

N2.2 Liquid separator drain

N3.0 Connection for operating liquid



Flüssigkeitsabscheider für L-BV5 (Standardausführung) Liquid separators for L-BV5 (standard version)

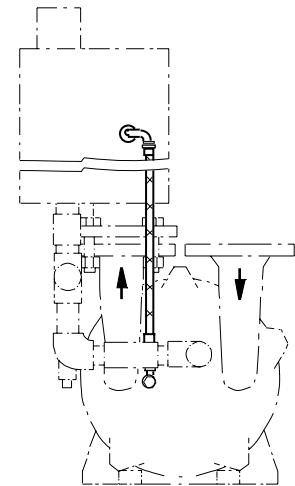
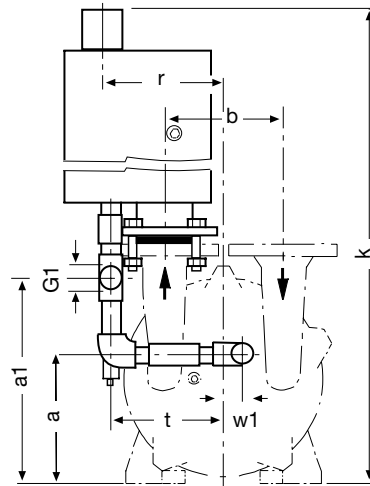
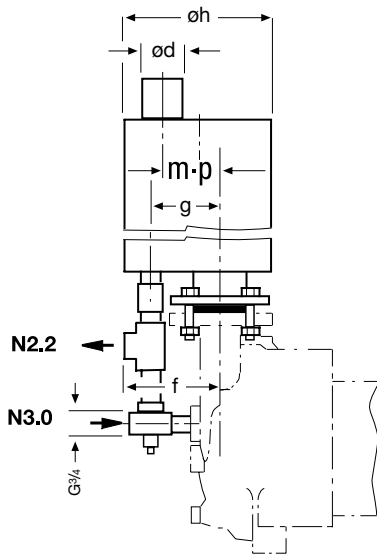
Für Typ

For type

| | a | a1 | b | ød | f | g | øh | k | m | p | r | t | w1 |
|--|------|-----|-----|----|-----|-----|-----|------|----|----|-----|-----|----|
| | [mm] | | | | | | | | | | | | |
| Bestell-Nr. 2BX1 100 • Order No.: 2BX1 100 | | | | | | | | | | | | | |
| 2BV5 110-0K..1 | 203 | 323 | 180 | 63 | 125 | 87 | 200 | 904 | 54 | 22 | 144 | 151 | 25 |
| 2BV5 111-0K..3 | 212 | 322 | 180 | 63 | 125 | 87 | 200 | 914 | 54 | 22 | 144 | 151 | 27 |
| Bestell-Nr.: 2BX1 101 • Order No.: 2BX1 101 | | | | | | | | | | | | | |
| 2BV5 121-0K..3 | 217 | 337 | 200 | 75 | 131 | 93 | 250 | 915 | 18 | 12 | 200 | 200 | 27 |
| 2BV5 131-0K..1 | 249 | 369 | 200 | 75 | 131 | 93 | 250 | 955 | 18 | 12 | 200 | 200 | 32 |
| Bestell-Nr.: 2BX1 106 • Order No.: 2BX1 106 | | | | | | | | | | | | | |
| 2BV5 161-0K..2 | 303 | 423 | 250 | 90 | 151 | 113 | 315 | 1117 | 0 | 0 | 255 | 182 | 41 |

Ohne Kavitationsschutzleitung
Without cavitation protection

Mit angeschlossener
Kavitationsschutzleitung
With cavitation protection line



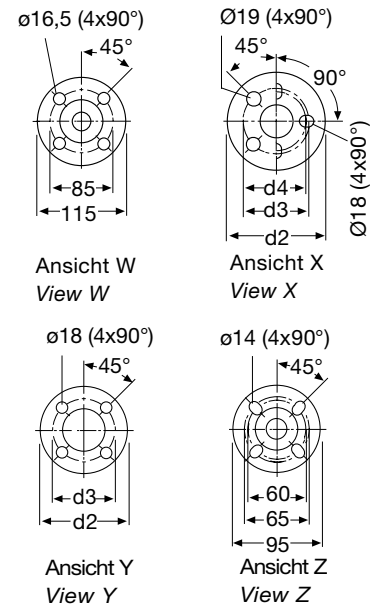
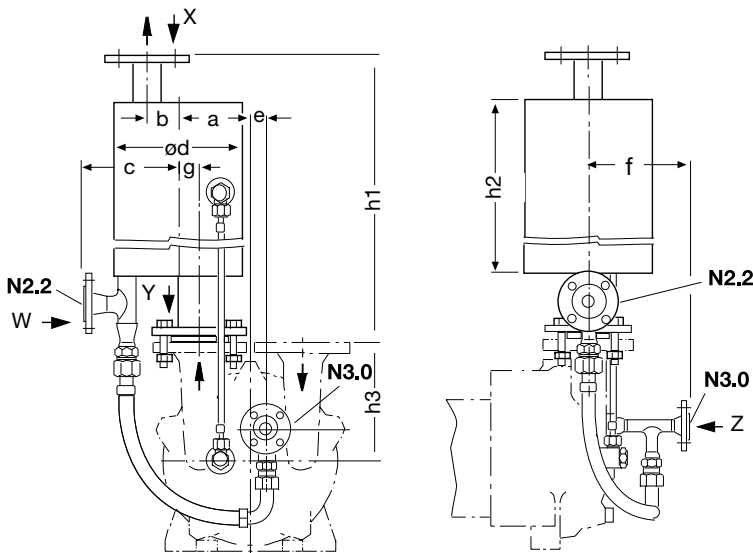
N2.2 Ablauf Flüssigkeitsabscheider
N3.0 Anschluss Betriebsflüssigkeit

N2.2 Liquid separator drain
N3.0 Connection for operating liquid

Flüssigkeitsabscheider für L-BV5 ...-OH • Liquid separators for L-BV5 ...-OH

| Bestell-Nr. | Für Typ | | | | | | | | | | | Flansch Ansicht X ²⁾ | | | Y ³⁾ | |
|-----------------|----------------|-----|-----|-----|-----|----|-----|----|-----|-----|-----|---------------------------------|-------|-------|-----------------|-----|
| Order No. | For type | | | | | | | | | | | Flange view X ²⁾ | | | Y ³⁾ | |
| | | a | b | c | ød | e | f | g | h1 | h2 | h3 | ød2 | ød3 | ød4 | ød2 | ød3 |
| [mm] | | | | | | | | | | | | | | | | |
| 2BX1 102 | 2BV5 110-OH..1 | 123 | 45 | 157 | 204 | 25 | 165 | 33 | 598 | 380 | 208 | 165 | 125 | 120,6 | 165 | 125 |
| | 2BV5 111-OH..3 | 123 | 45 | 157 | 204 | 25 | 165 | 33 | 598 | 380 | 221 | 165 | 125 | 120,6 | 165 | 125 |
| 2BX1 103 | 2BV5 121-OH..3 | 143 | 62 | 157 | 254 | 29 | 170 | 43 | 298 | 380 | 218 | 185 | 145 | 139,7 | 185 | 145 |
| | 2BV5 131-OH..1 | 143 | 62 | 157 | 254 | 32 | 173 | 43 | 298 | 380 | 233 | 185 | 145 | 139,7 | 185 | 145 |
| 2BX1 107 | 2BV5 161-OH..2 | 203 | 100 | 77 | 355 | 41 | 188 | 78 | 717 | 505 | 296 | 220 | 190,5 | 180 | 200 | 160 |

Mit angeschlossener Kavitationsschutzleitung
With cavitation protection line



- 2BX1 10:** Flansch DIN 2633, ND 16 passend für ANSI-11/4-150
- 2BX1 102:** Flansch B DIN 2576 passend für ANSI-2-150
2BX1 103: Flansch B DIN 2576 passend für ANSI-21/2-150
2BX1 107: Flansch 100/108 DIN 2633 passend für ANSI-4-150
- 2BX1 102:** Losflansch DIN 2642
2BX1 103: Losflansch DIN 2642
2BX1 107: Flansch 80/88.9 DIN 2633

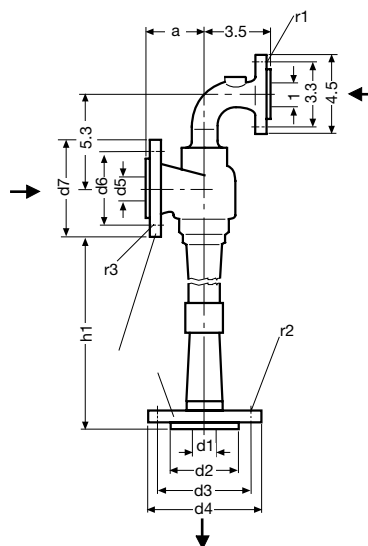
- N2.2** Ablauf Flüssigkeitsabscheider¹⁾
N3.0 Anschluss Betriebsflüssigkeit
- N2.2** Liquid separator drain¹⁾
N3.0 Connection for operating liquid

- 2BX1 10:** Flange DIN 2633, ND 16 suitable for ANSI-11/4-150
- 2BX1 102:** Flange B DIN 2576 suitable for ANSI-2-150
2BX1 103: Flange B DIN 2576 suitable for ANSI-21/2-150
2BX1 107: Flange 100/108 DIN 2633 suitable for ANSI-4-150
- 2BX1 102:** Loose flange DIN 2642
2BX1 103: Loose flange DIN 2642
2BX1 107: Flange 80/88.9 DIN 2633

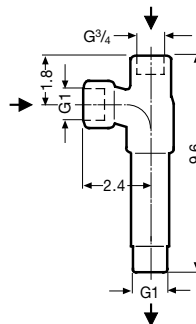
Gasstrahler • Gas ejector

| Bestell-Nr. | Für Typ | [mm] | | | | | | | | | | [" x mm] | | |
|--------------|----------|------|----|-----|-----|-----|----|-----|-----|-----|--------|----------|--------|--|
| Order No. | For type | a | d1 | d2 | d3 | d4 | d5 | d6 | d7 | h1 | r1 | r2 | r3 | |
| 50 Hz | | | | | | | | | | | | | | |
| 2BP5 110-1.C | 2BV5 110 | 104 | 32 | 78 | 125 | 164 | 50 | 100 | 140 | 352 | 4 x 14 | 4 x 18 | 4 x 18 | |
| 2BP5 111-1.C | 2BV5 111 | 104 | 32 | 78 | 125 | 164 | 50 | 100 | 140 | 352 | 4 x 14 | 4 x 18 | 4 x 18 | |
| 2BP5 121-1.C | 2BV5 121 | 114 | 40 | 88 | 145 | 185 | 65 | 110 | 150 | 412 | 4 x 14 | 4 x 18 | 4 x 18 | |
| 2BP5 131-1.C | 2BV5 131 | 114 | 40 | 88 | 145 | 185 | 65 | 110 | 150 | 412 | 4 x 14 | 4 x 18 | 4 x 18 | |
| 2BP5 161-1.C | 2BV5 161 | 100 | 50 | 102 | 160 | 200 | 80 | 125 | 165 | 605 | 4 x 14 | 8 x 18 | 4 x 18 | |
| 60 Hz | | | | | | | | | | | | | | |
| 2BP5 110-1.F | 2BV5 110 | 104 | 32 | 78 | 125 | 165 | 50 | 100 | 140 | 352 | 4 x 14 | 4 x 18 | 4 x 18 | |
| 2BP5 111-1.F | 2BV5 111 | 114 | 40 | 78 | 125 | 165 | 50 | 100 | 140 | 412 | 4 x 14 | 4 x 18 | 4 x 18 | |
| 2BP5 121-1.F | 2BV5 121 | 114 | 40 | 88 | 145 | 185 | 65 | 110 | 150 | 412 | 4 x 14 | 4 x 18 | 4 x 18 | |
| 2BP5 131-1.F | 2BV5 131 | 100 | 50 | 88 | 145 | 185 | 65 | 110 | 150 | 605 | 4 x 14 | 4 x 18 | 4 x 18 | |
| 2BP5 161-1.F | 2BV5 161 | 100 | 50 | 102 | 160 | 200 | 80 | 125 | 165 | 605 | 4 x 14 | 8 x 18 | 4 x 18 | |

2BP5 ... für 2BV5
2BP5 ... for 2BV5



2BP1 061 für 2BV2
2BP1 061 for 2BV2



2BP1 07. für 2BV2
2BX3 16. für 2BV7
2BP1 07. for 2BV2
2BX3 16. for 2BV7

